

[54] LOUDSPEAKER MAGNET HOUSING

[75] Inventor: Douglas J. Warner, Berkeley, Calif.

[73] Assignee: James B. Lansing Sound, Inc., Chicago, Ill.

[**] Term: 14 Years

[21] Appl. No.: 289,314

[22] Filed: Aug. 3, 1981

Related U.S. Application Data

[62] Division of Ser. No. 82,683, Oct. 9, 1979.

[51] Int. Cl. D14-01

[52] U.S. Cl. D14/37

[58] Field of Search D14/30, 34, 37; 179/117, 119 R, 120; D13/99

[56] References Cited

U.S. PATENT DOCUMENTS

D. 239,538	4/1976	Wagner	D14/30
3,222,753	12/1965	Heppner	179/117 X
3,296,386	1/1967	Fanselow	179/120
3,593,239	7/1971	Hofman	179/117 X
4,293,741	10/1981	Digre	179/119 R X

Primary Examiner—Jane E. Corrigan
Attorney, Agent, or Firm—Lyon & Lyon

[57] CLAIM

The ornamental design for a loudspeaker magnet housing, as shown and described.

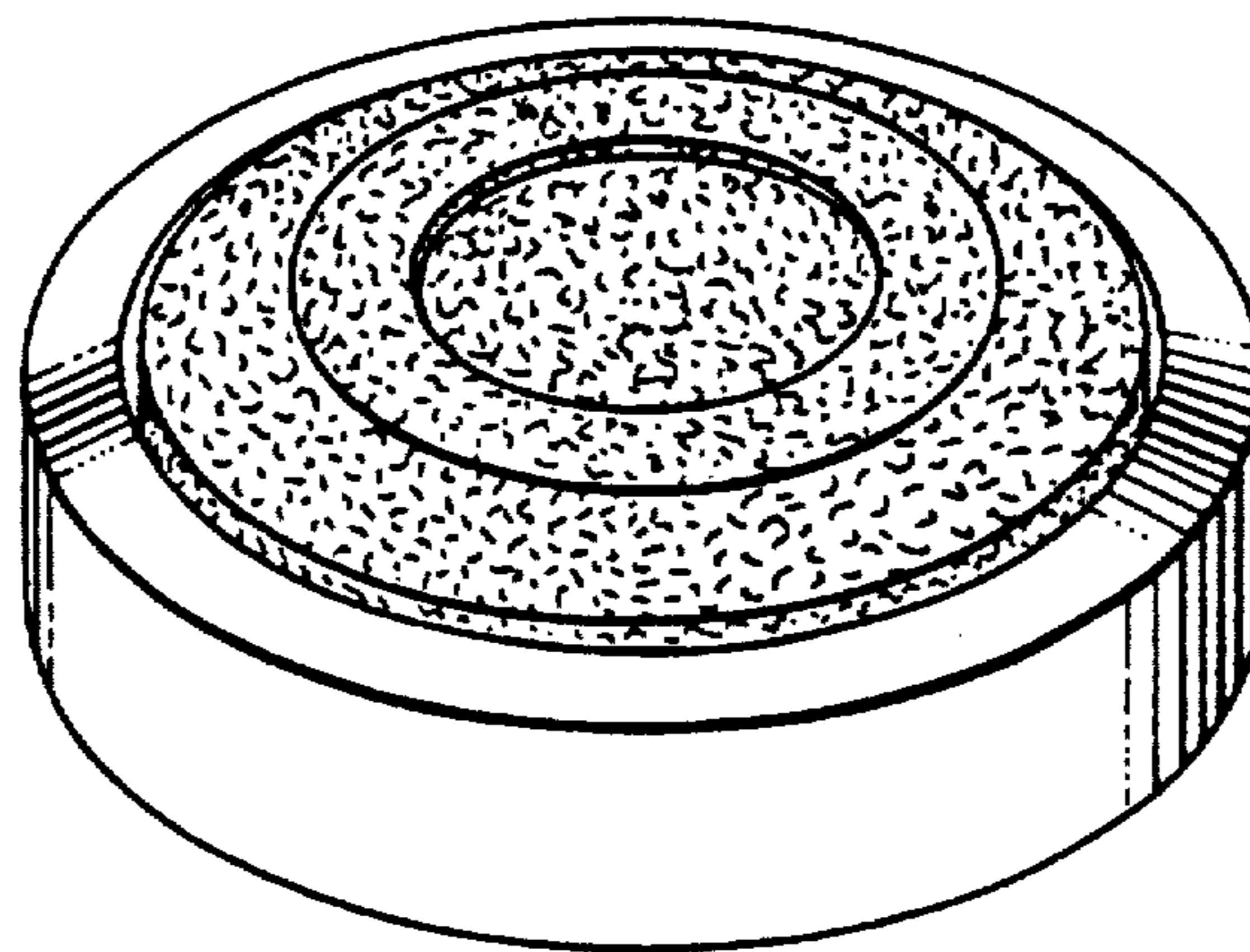
DESCRIPTION

FIG. 1 is a top plan view of a loudspeaker magnet housing showing my new design, with the broken line structure forming no part of the claimed design and being for illustrative purposes only;

FIG. 2 is a side elevational view thereof; and

FIG. 3 is a top and side perspective view.

The rear of the housing is conventional.



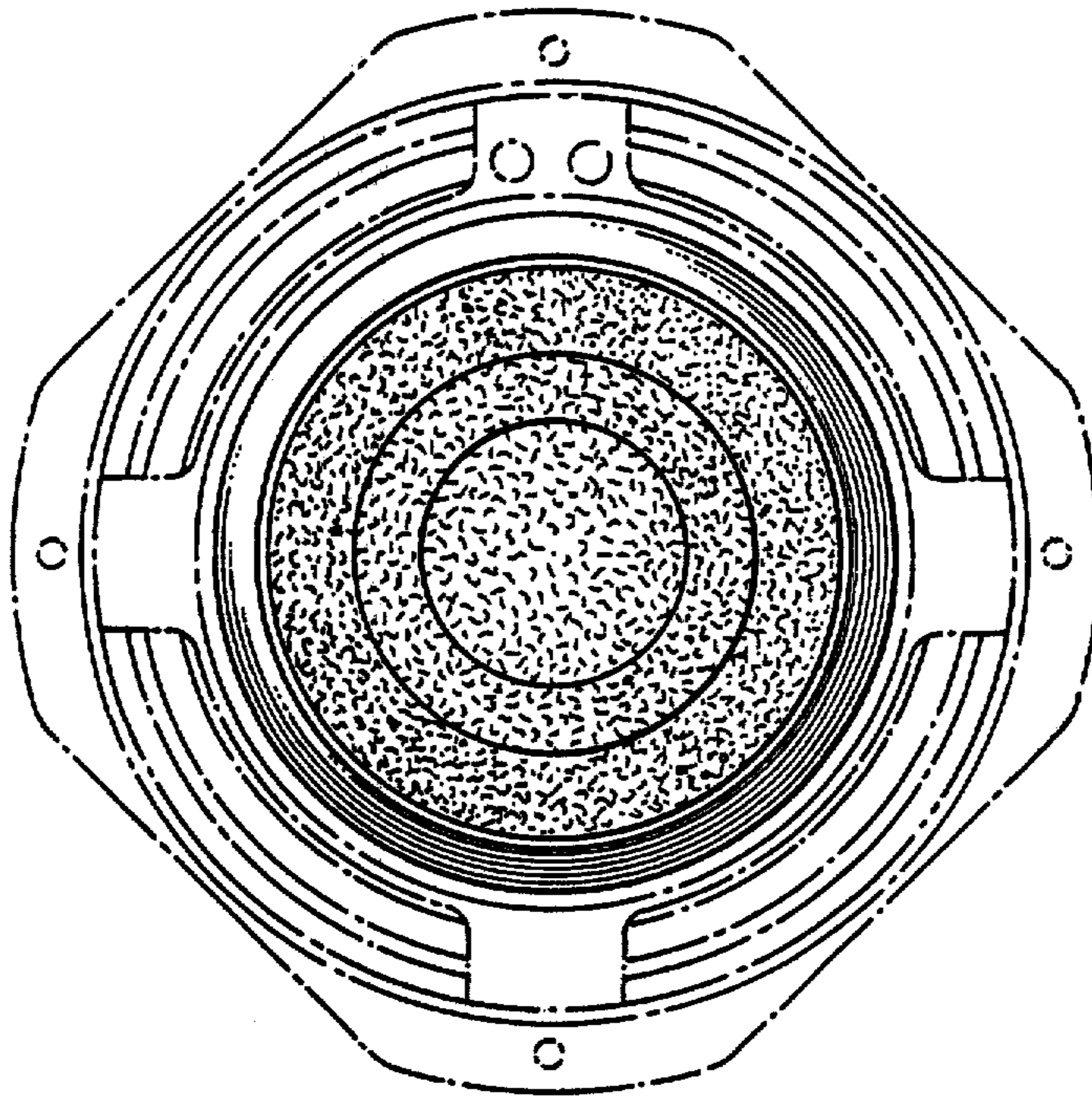


FIG. 1.

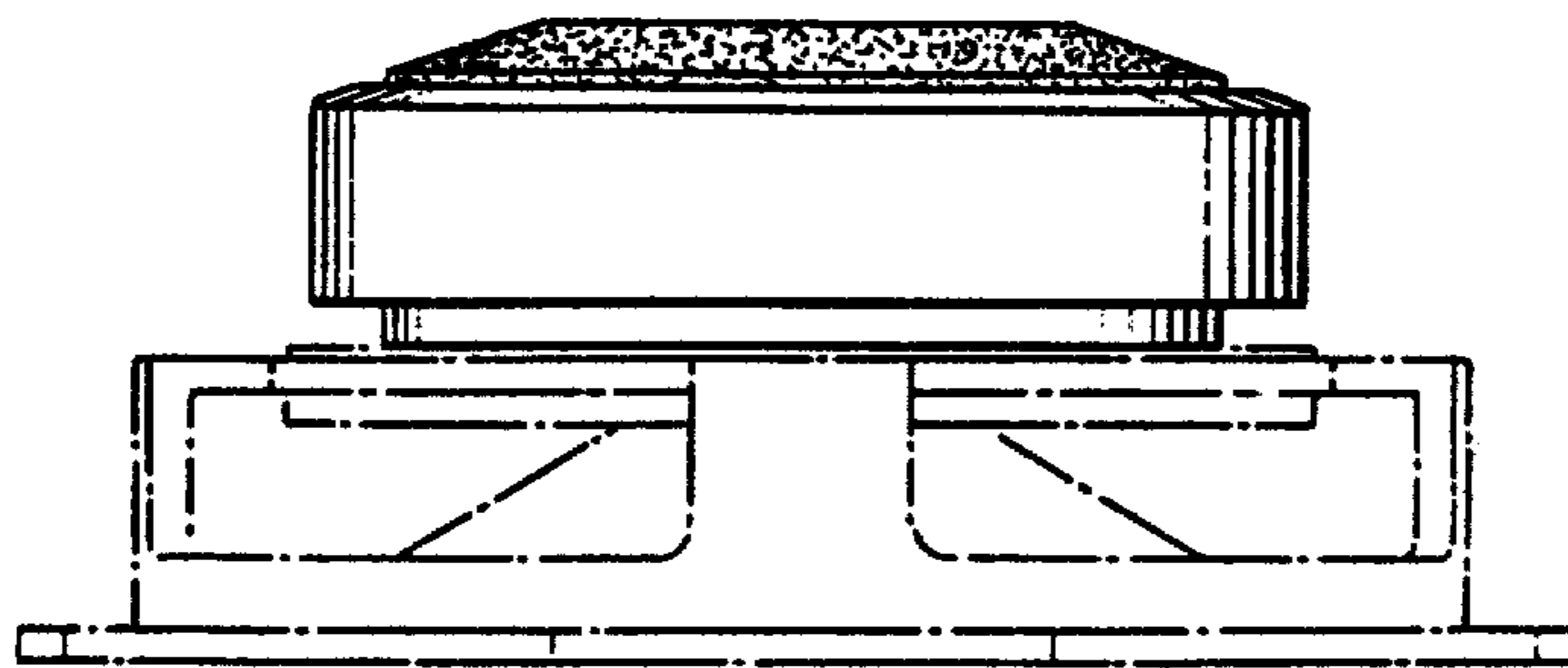


FIG. 2.

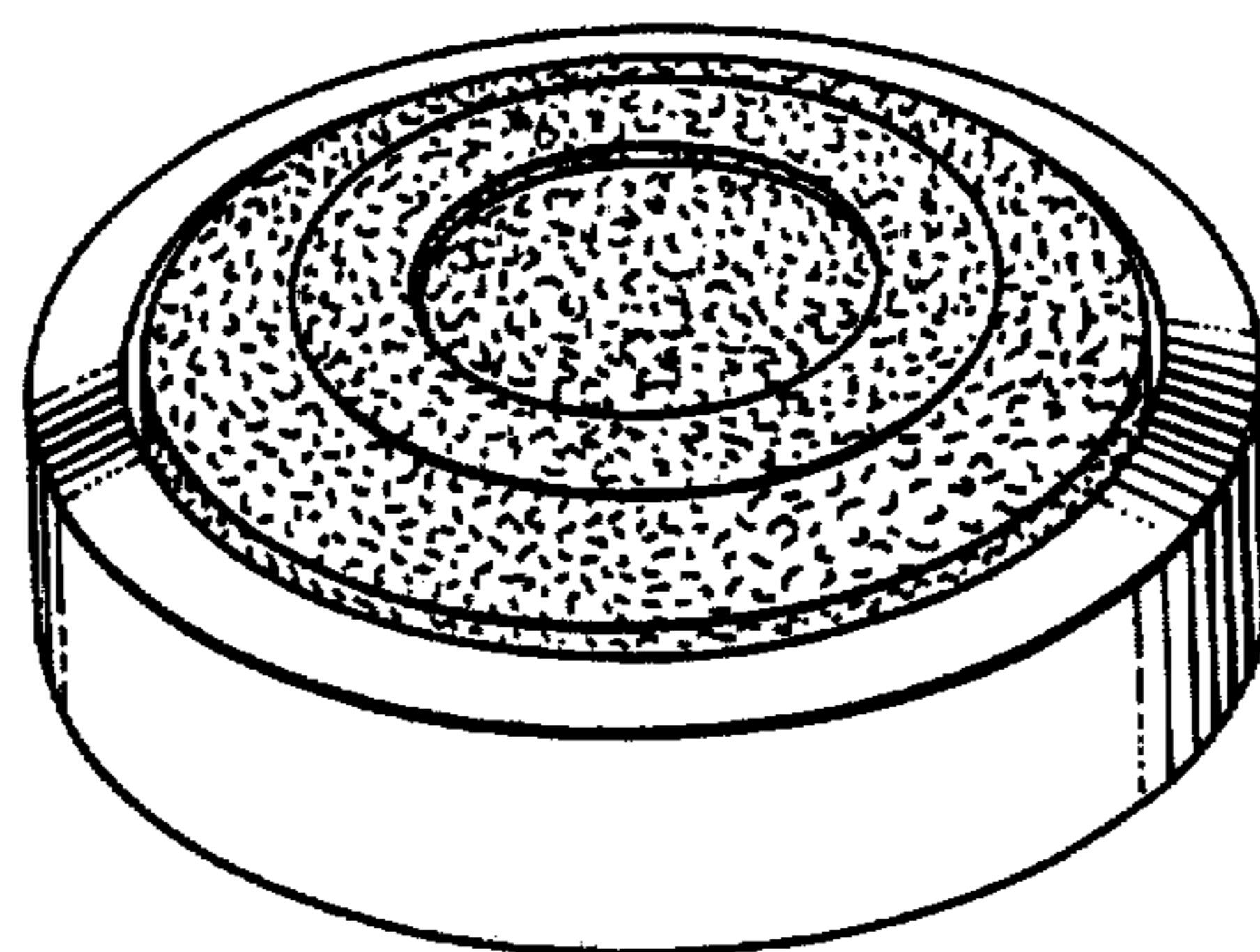


FIG. 3.