

[54] **HUB FOR A VEHICLE WHEEL**

[76] Inventor: **Bert C. Moore**, 1436 Laguna St.,  
Santa Barbara, Calif. 93101

[\*\*] Term: **14 Years**

[21] Appl. No.: **119,623**

[22] Filed: **Feb. 7, 1980**

[51] Int. Cl. .... **D12-16**

[52] U.S. Cl. .... **D12/207**

[58] Field of Search ..... **D12/207; 301/105 R,  
301/108 S, 108 SC**

[56] **References Cited**

**U.S. PATENT DOCUMENTS**

D. 28,400 3/1898 Pancost ..... **D12/207**

**OTHER PUBLICATIONS**

Cal Chrome 1975 Catalog, p. 27, Duplex Derby Wheel  
Accessory, top right side of page.

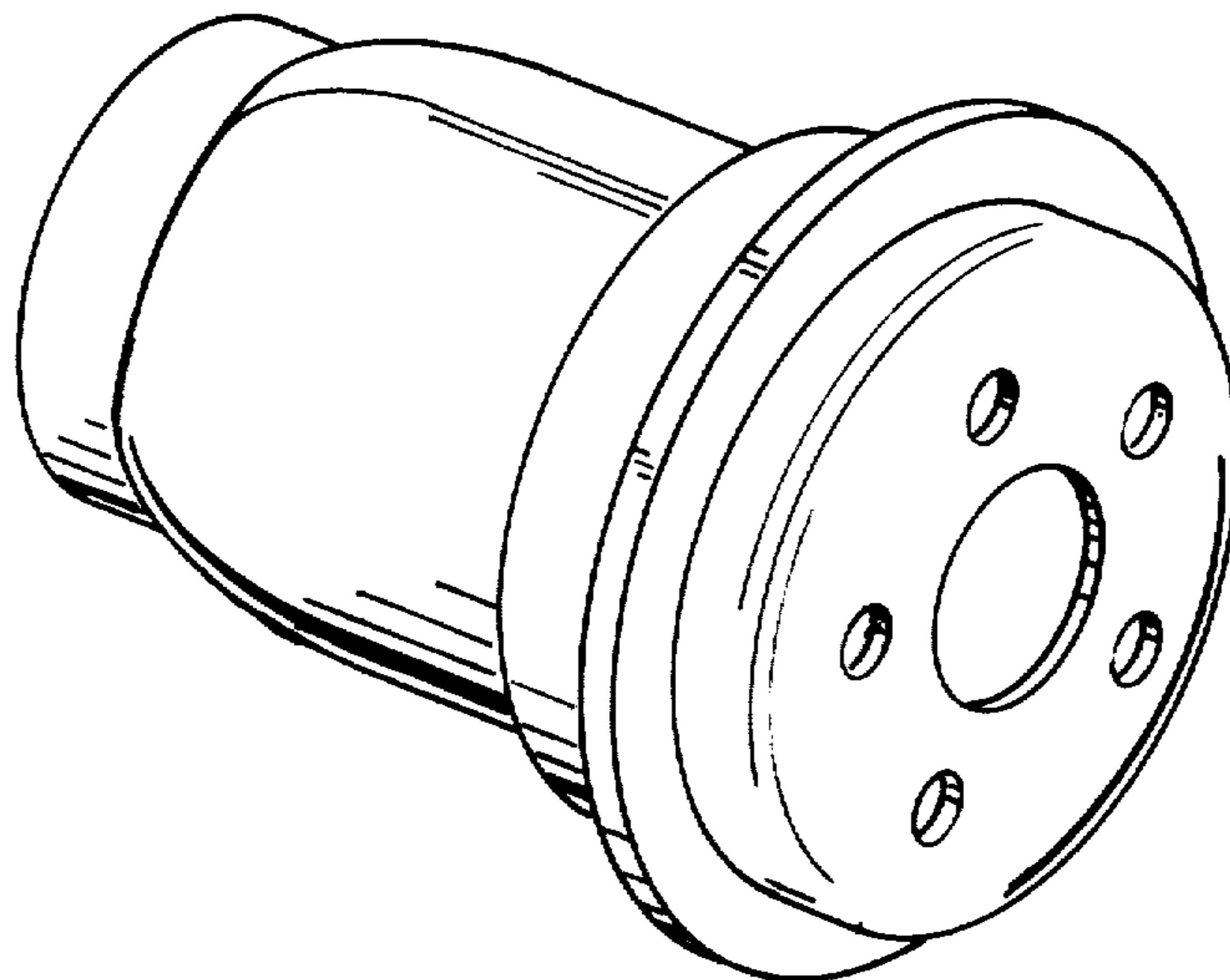
*Primary Examiner*—James M. Gandy  
*Attorney, Agent, or Firm*—Daniel J. Meaney, Jr.

[57] **CLAIM**

The ornamental design for a hub for a vehicle wheel, as  
shown and described.

**DESCRIPTION**

FIG. 1 is a rear perspective view of a hub for a vehicle  
wheel showing my new design;  
FIG. 2 is an exploded front perspective view thereof;  
FIG. 3 is a rear elevational view thereof;  
FIG. 4 is an enlarged front elevational view thereof;  
and  
FIG. 5 is an enlarged left side elevational view thereof,  
partially in cross section, taken along section lines 5—5  
of FIG. 4.



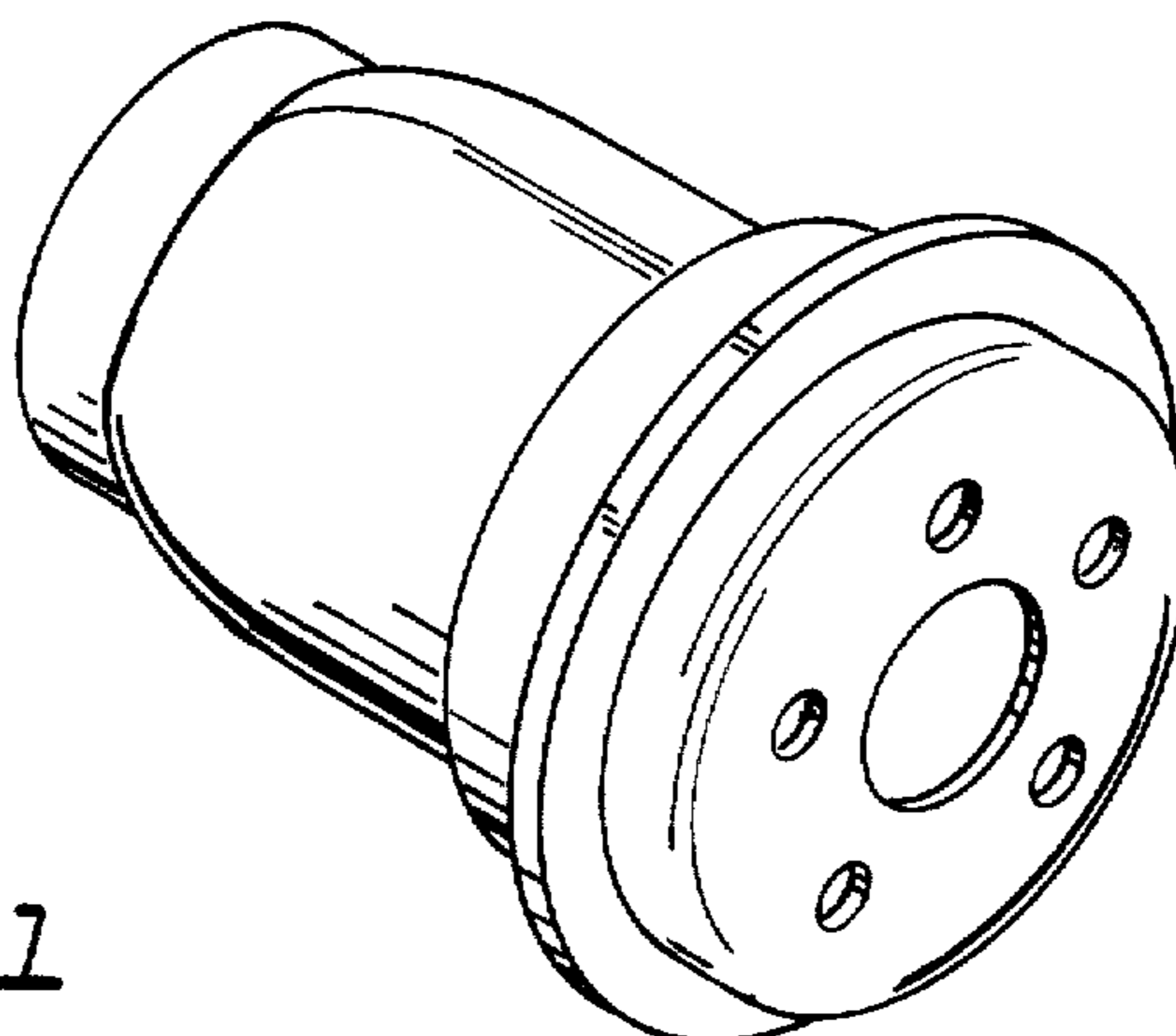


FIG - 1

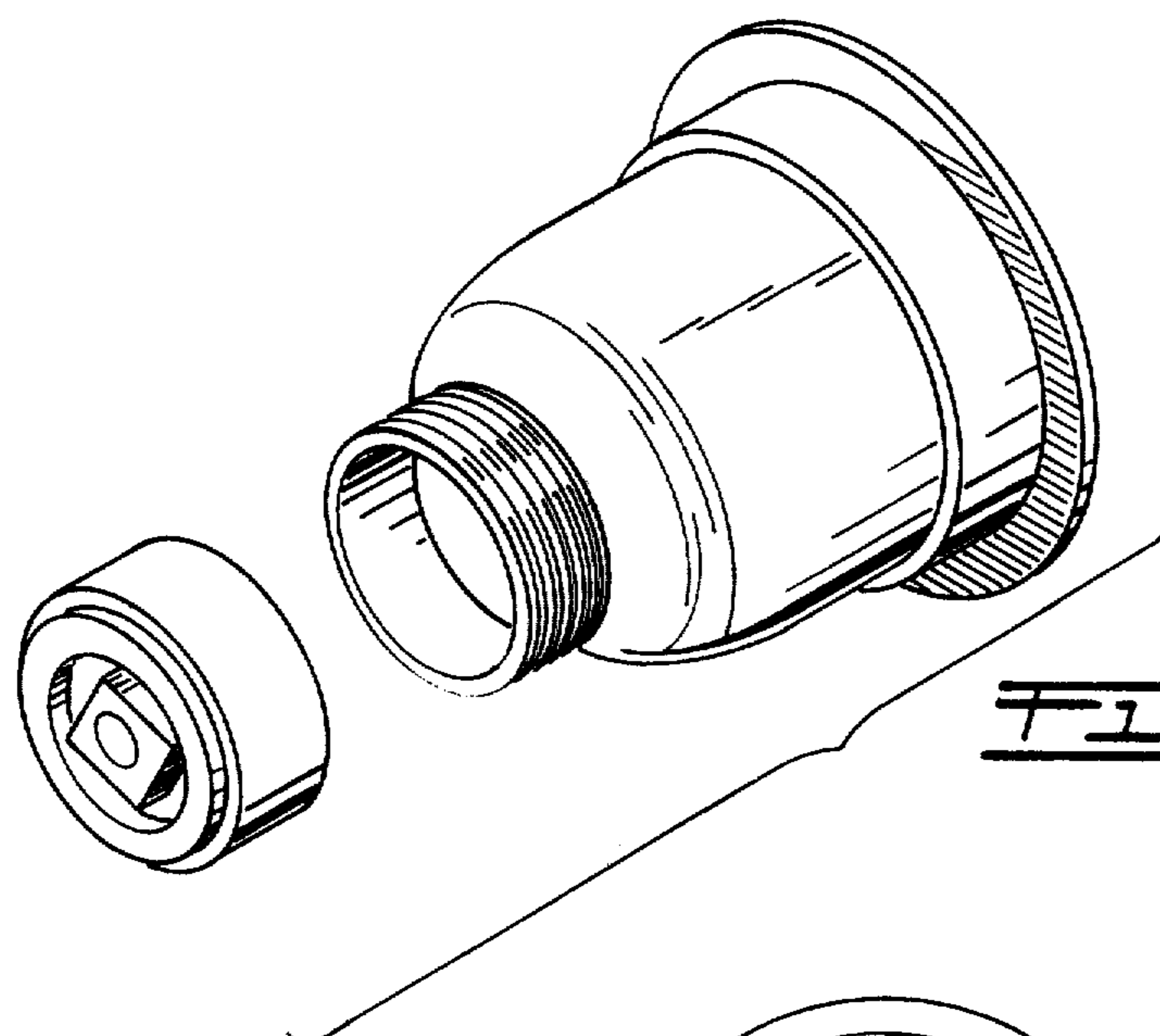


FIG - 2

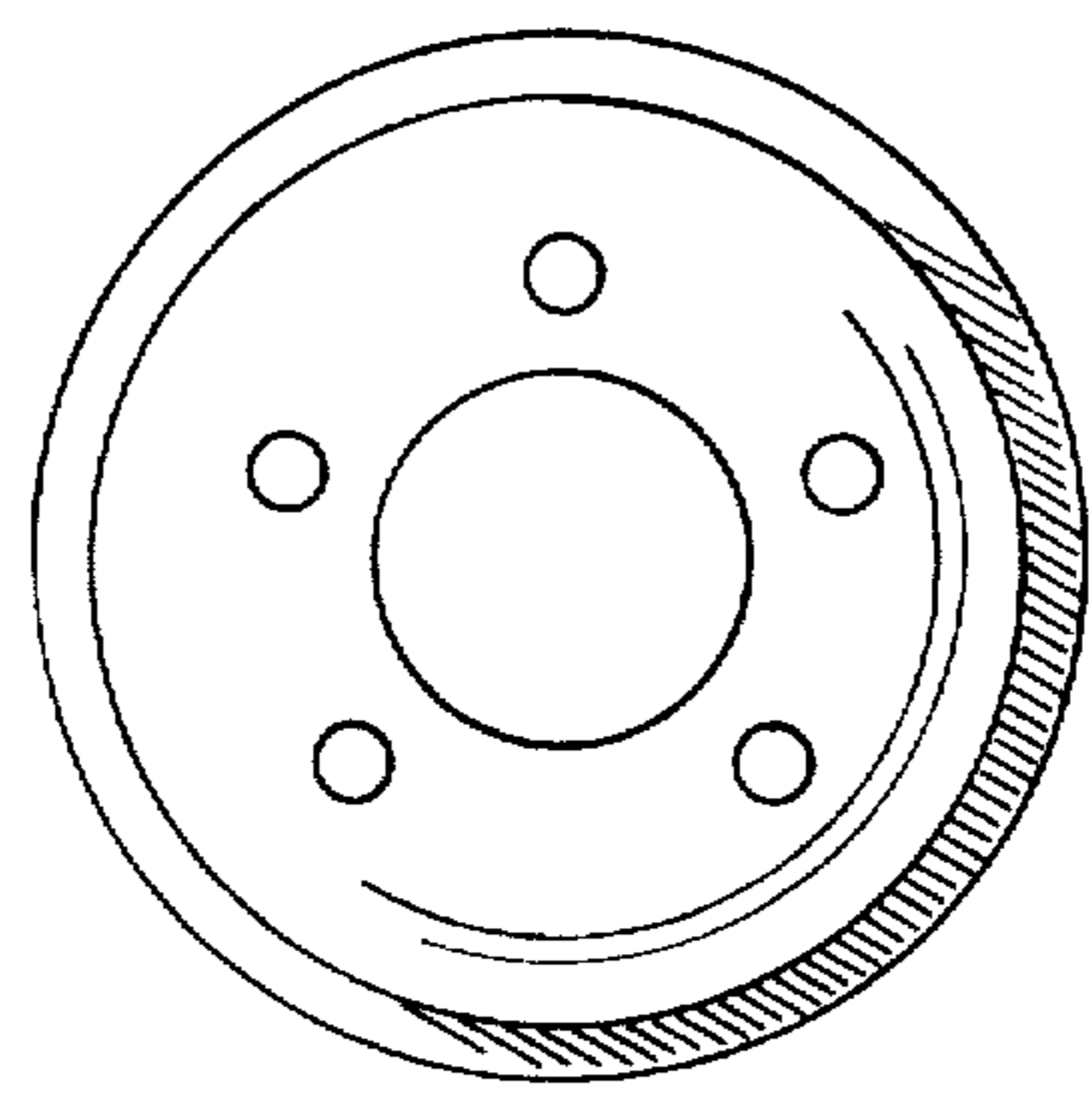


FIG - 3

