

[54] **THREE-WHEELED MOTOR VEHICLE**

[75] **Inventor:** Yasuhiro Ohba, Kamifukuoka, Japan

[73] **Assignee:** Honda Giken Kogyo Kabushiki Kaisha, Tokyo, Japan

[**] **Term:** 14 Years

[21] **Appl. No.:** 204,933

[22] **Filed:** Nov. 7, 1980

[30] **Foreign Application Priority Data**

May 14, 1980 [JP] Japan 55-18611

[51] **Int. Cl.** D12-11

[52] **U.S. Cl.** D12/110; D12/85

[58] **Field of Search** D12/110, 85; 180/210, 180/211, 215

[56] **References Cited**

U.S. PATENT DOCUMENTS

D. 261,876 11/1981 Ishiyama D12/110

OTHER PUBLICATIONS

Snow Goer, 12/79, p. 7, Honda ATC 110, bottom of page.

Cycle World, 3/78, p. 94, Honda ATC 70, center of page.

Cycle World, 9/80, p. 78, Kawasaki KLT 200, bottom of page.

Primary Examiner—James M. Gandy

[57] **CLAIM**

The ornamental design for a three-wheeled motor vehicle, as shown.

DESCRIPTION

FIG. 1 is a perspective front view of the three-wheeled motor vehicle according to the present invention.

FIG. 2 is a front elevational view thereof.

FIG. 3 is a rear elevational view thereof.

FIG. 4 is a top plan view thereof.

FIG. 5 is a bottom plan view thereof.

FIG. 6 is a side elevational view thereof.

FIG. 7 is an opposite side elevational view thereof.

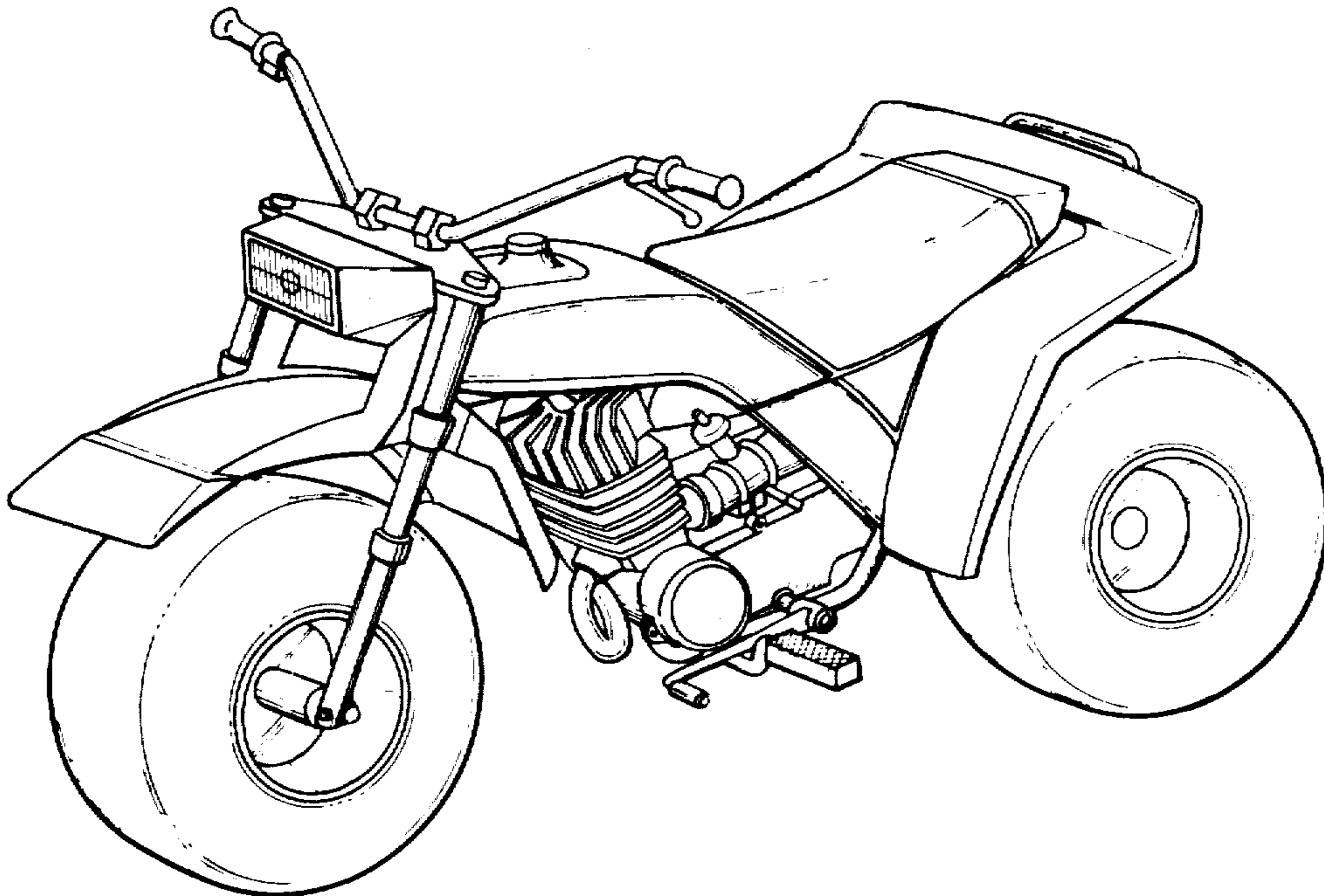


Fig .1

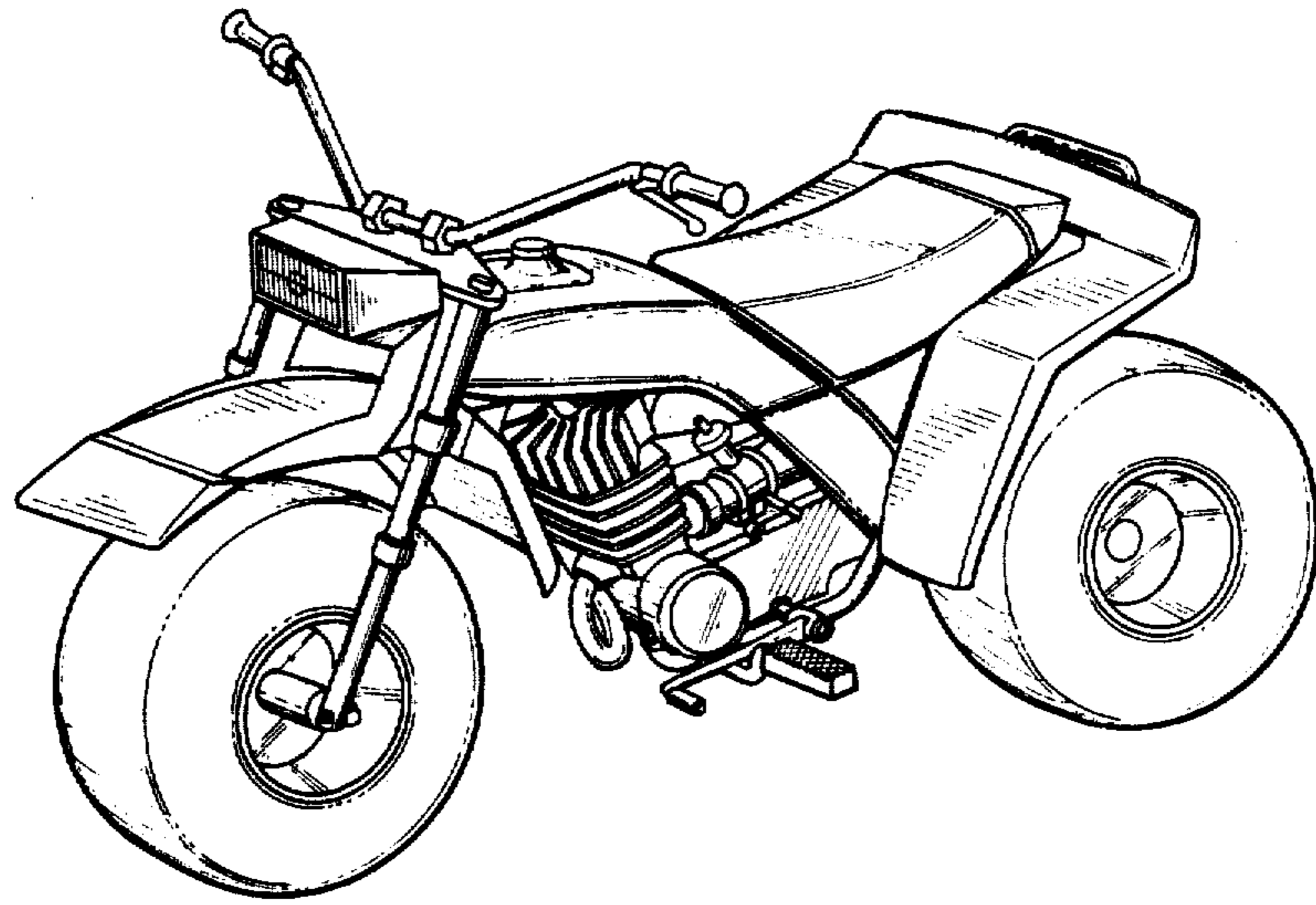


Fig.2

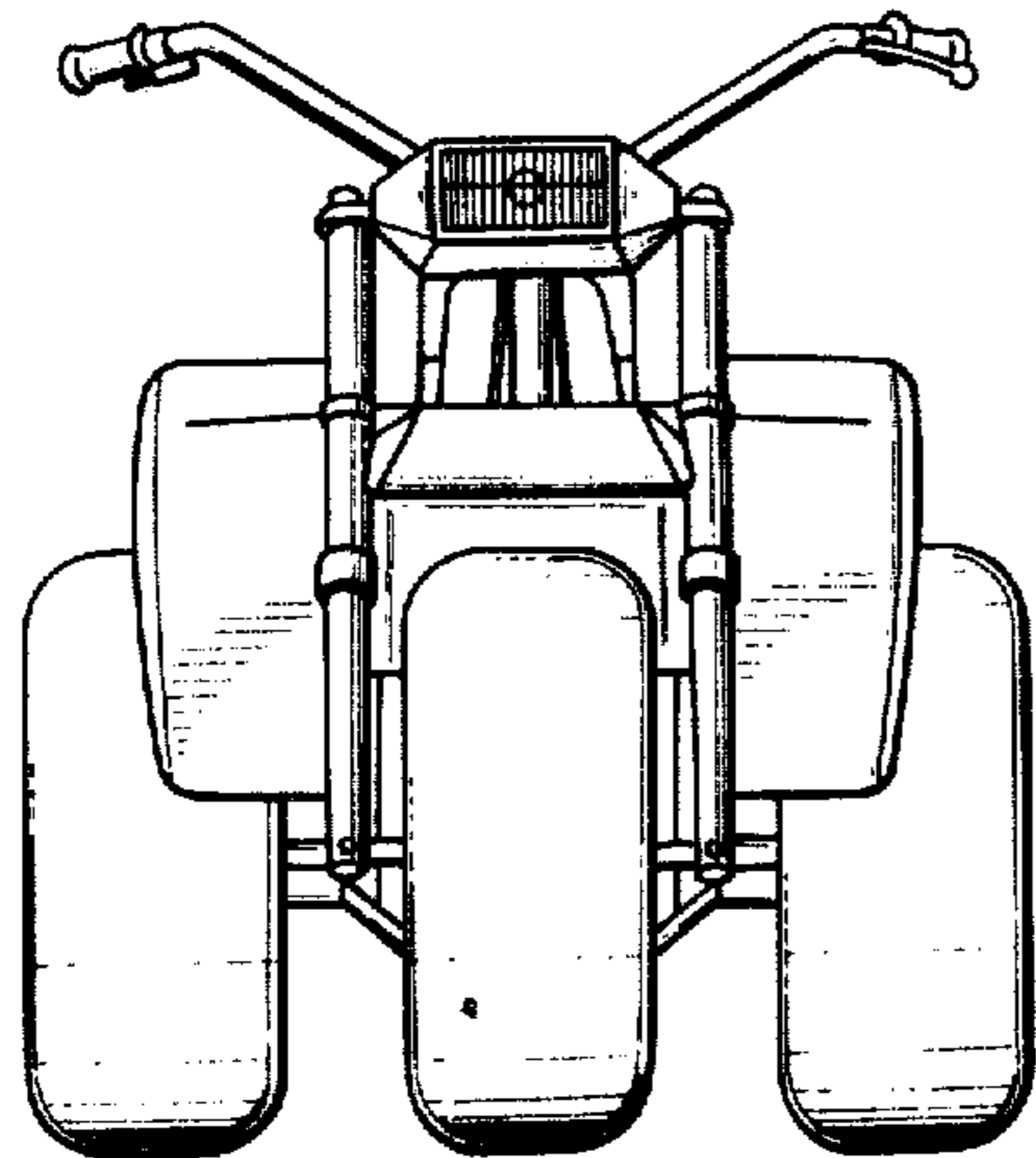
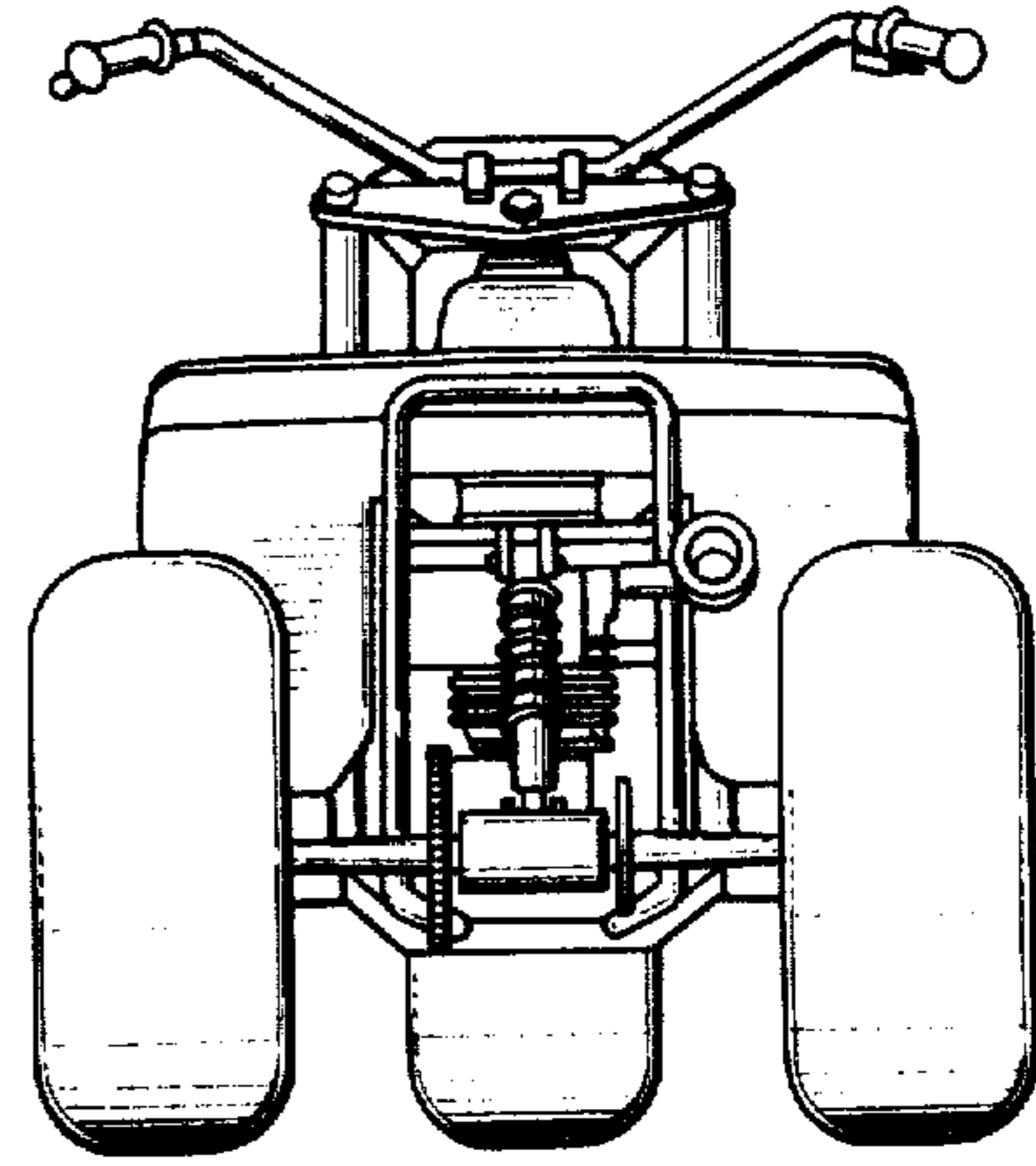


Fig.3



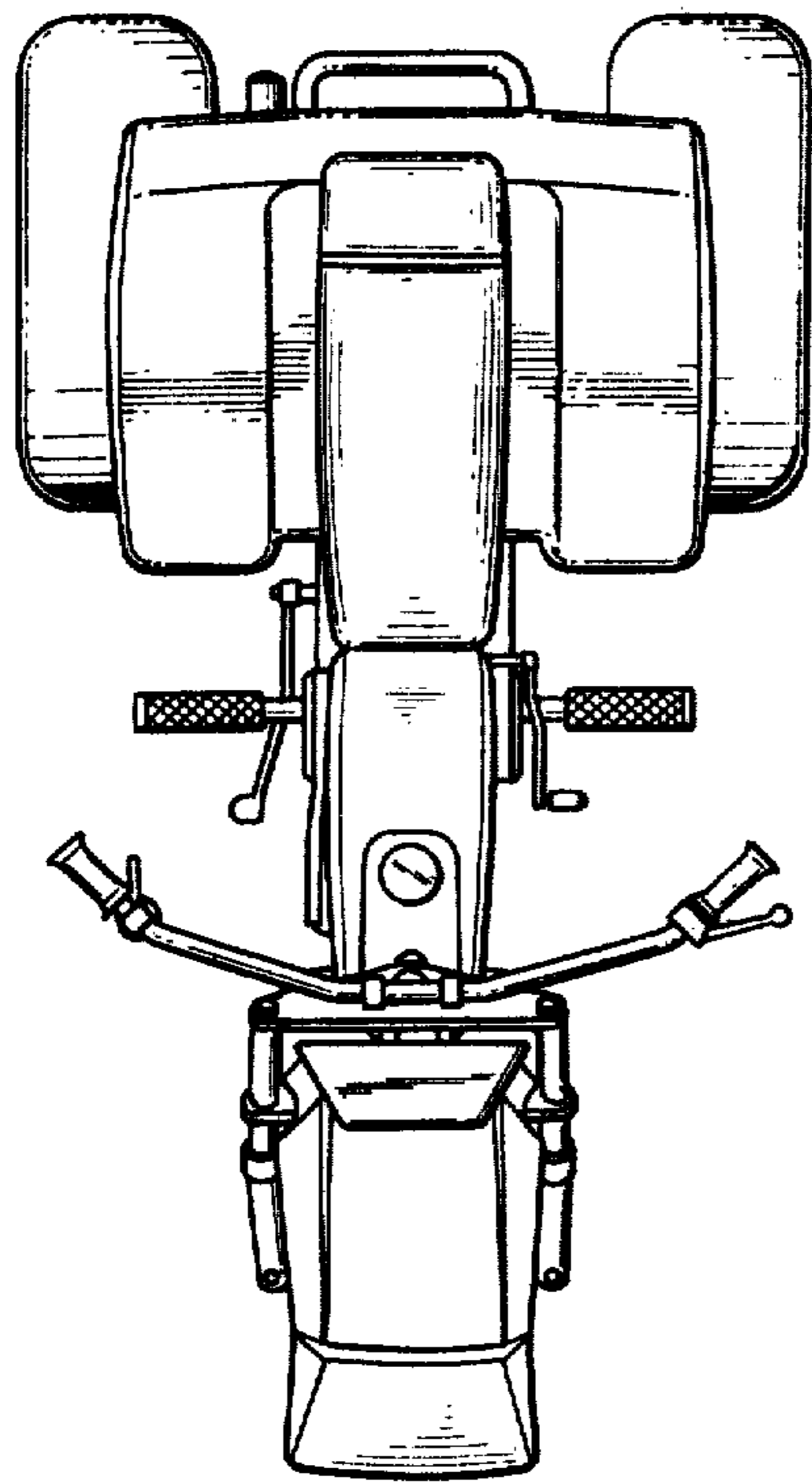


Fig. 4

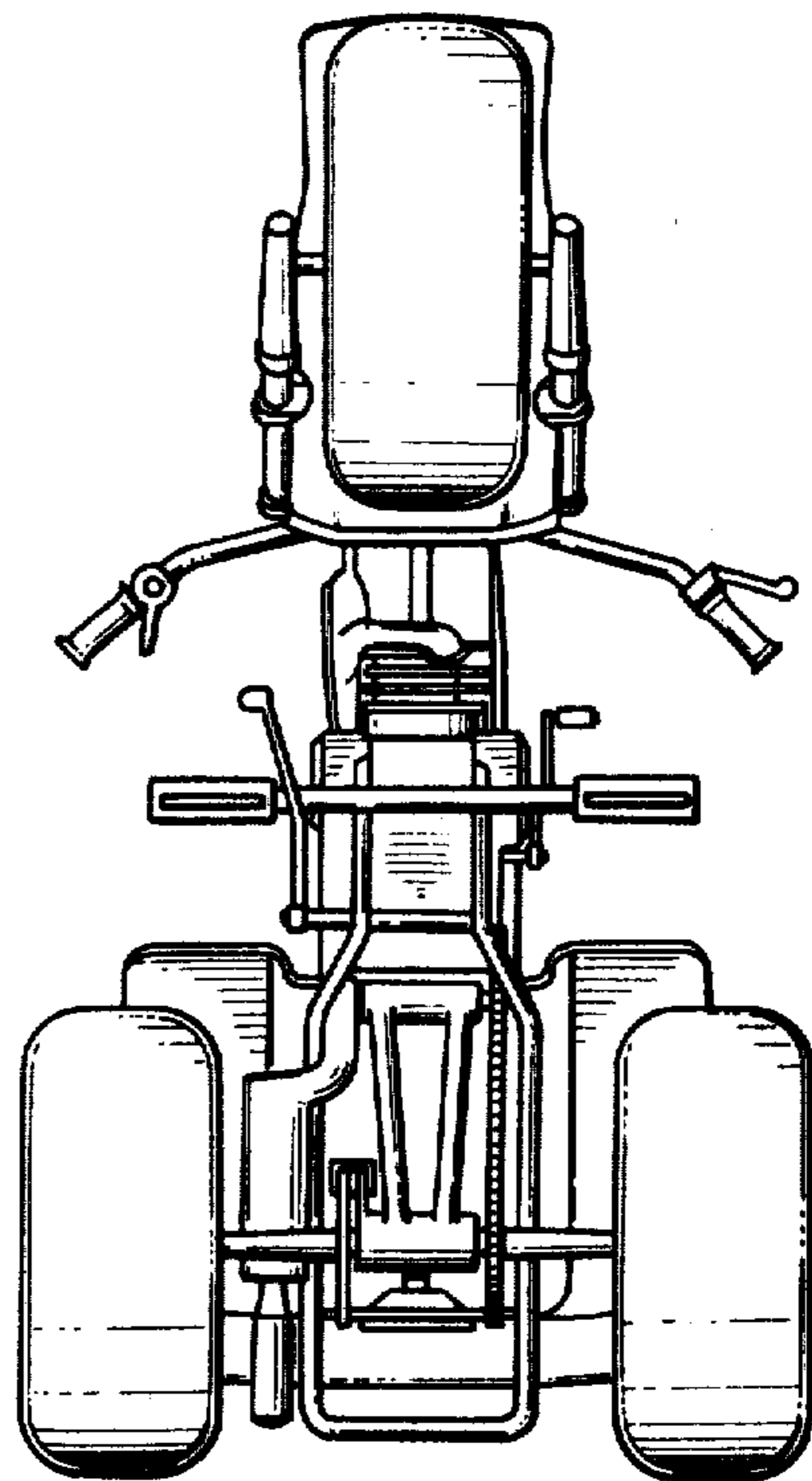


Fig. 5

Fig. 6

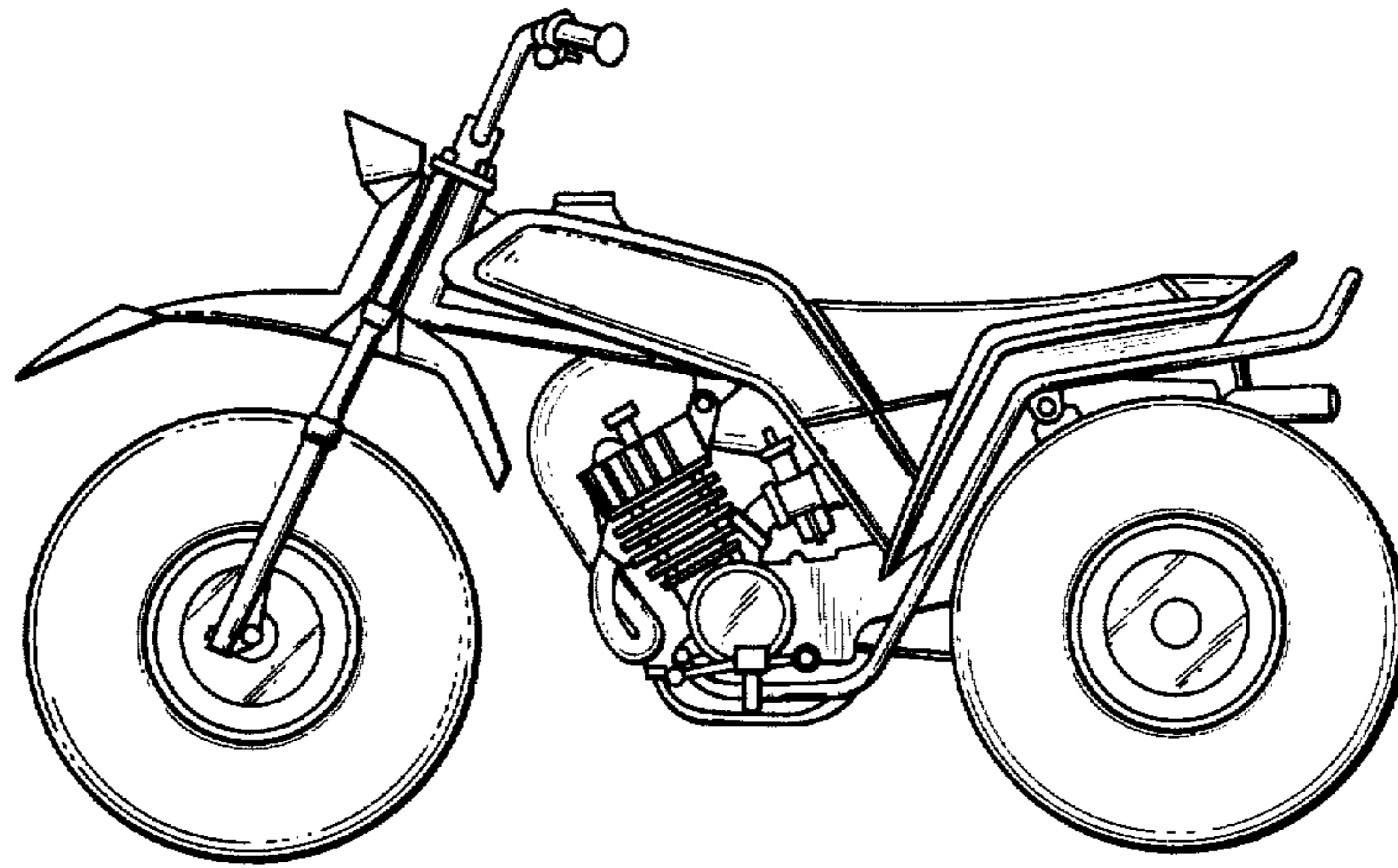


Fig. 7

