

[54] **BRACKET FOR ATTACHING WINE BUCKET TO A TABLE**

[75] Inventor: **Ralph A. Dark, San Juan Capistrano, Calif.**

[73] Assignee: **Winering Incorporated, Laguna Niguel, Calif.**

[**] Term: **14 Years**

[21] Appl. No.: **156,614**

[22] Filed: **Jun. 5, 1980**

[51] Int. Cl. **D8-08**
 [52] U.S. Cl. **D8/72; D8/72**
 [58] Field of Search **D8/73, 72; 248/226.4, 248/311.2; D7/70; 220/306**

[56] **References Cited**
U.S. PATENT DOCUMENTS

D. 172,863 8/1954 Buckley D8/73
 D. 173,523 11/1954 Demroske D8/73

D. 233,404 10/1974 Aiken D8/73
 D. 236,941 9/1975 Seaverns D8/73
 D. 260,066 8/1981 Dark D7/70
 D. 260,067 8/1981 Dark D7/70
 D. 260,235 8/1981 Anderson et al. D8/72
 3,977,152 12/1976 Sass et al. D8/73 X
 3,991,961 11/1976 Plazer, Jr. 248/226.4 X

Primary Examiner—Bernard Ansher
Attorney, Agent, or Firm—Knobbe, Martens, Olson, Hubbard & Bear

[57] **CLAIM**

The ornamental design for a bracket for attaching wine bucket to a table, as shown and described.

DESCRIPTION

FIG. 1 is a top plan view of my new bracket for attaching wine bucket to a table;
 FIG. 2 is a front elevational view thereof;
 FIG. 3 is a left side elevational view thereof which is a mirror image of a right side elevational view;
 FIG. 4 is a rear elevational view thereof; and
 FIG. 5 is a bottom plan view thereof.

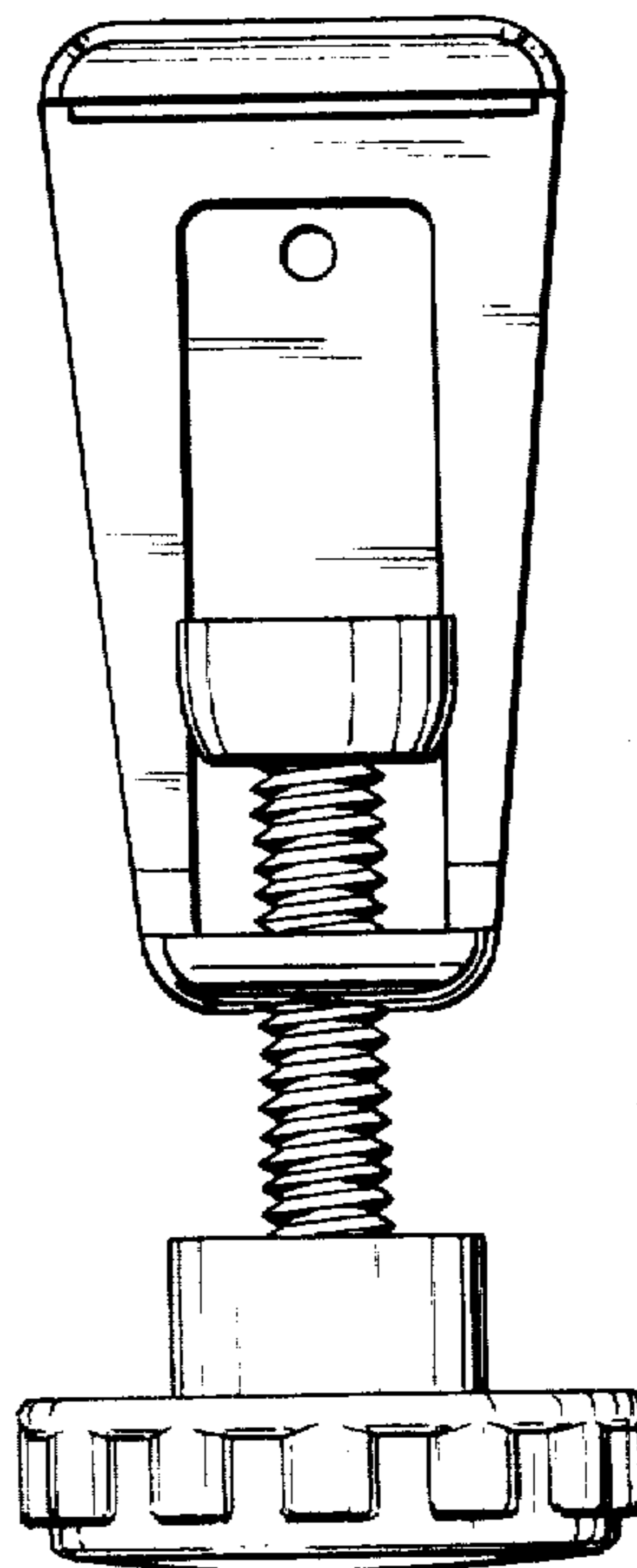
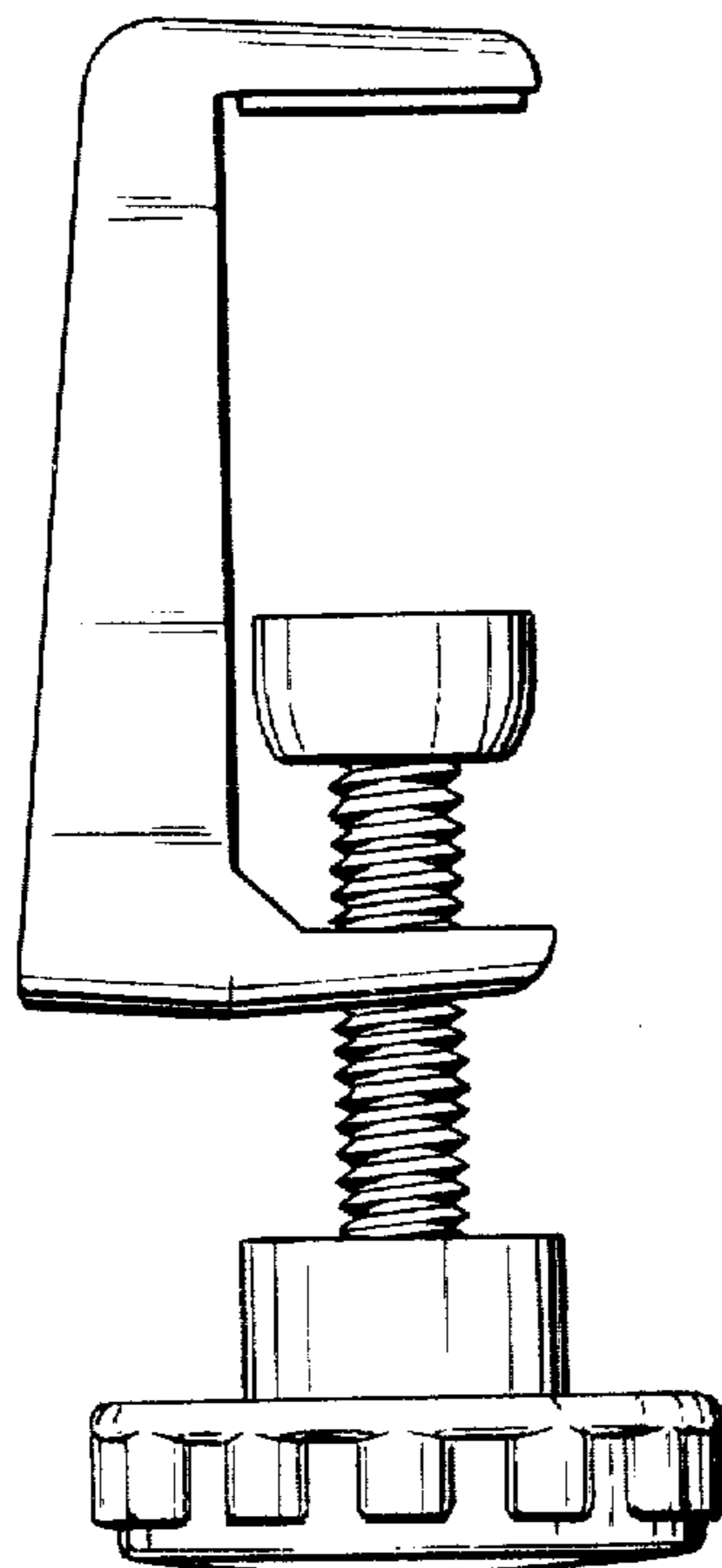


Fig. 1

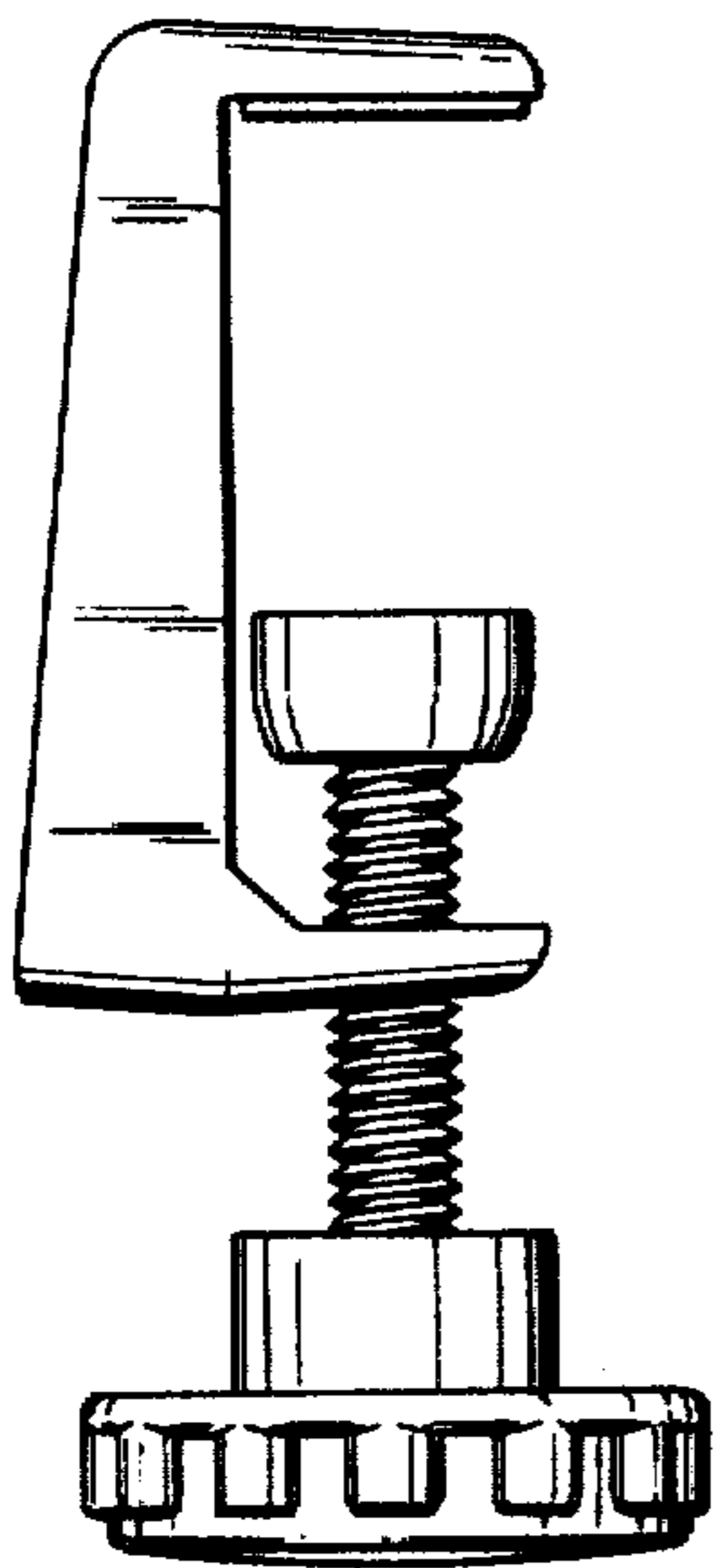
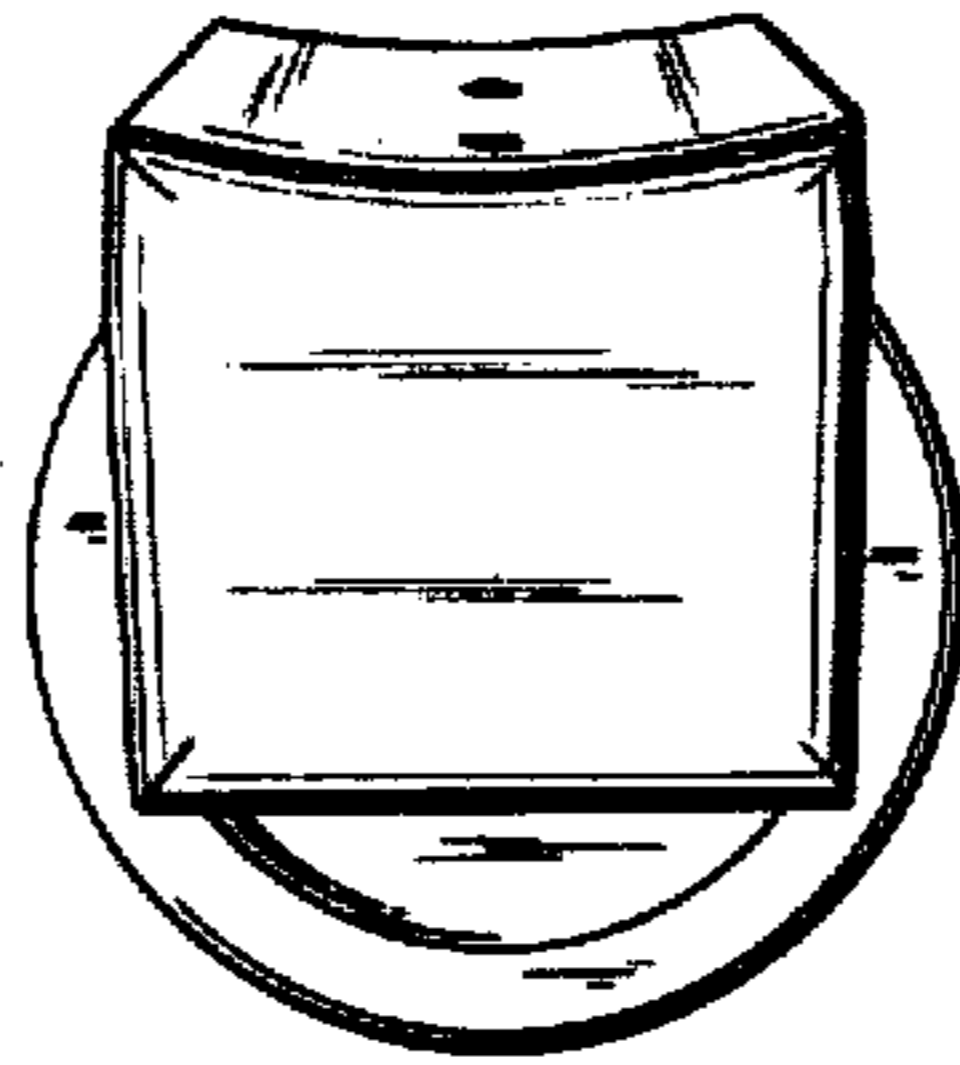


Fig. 3

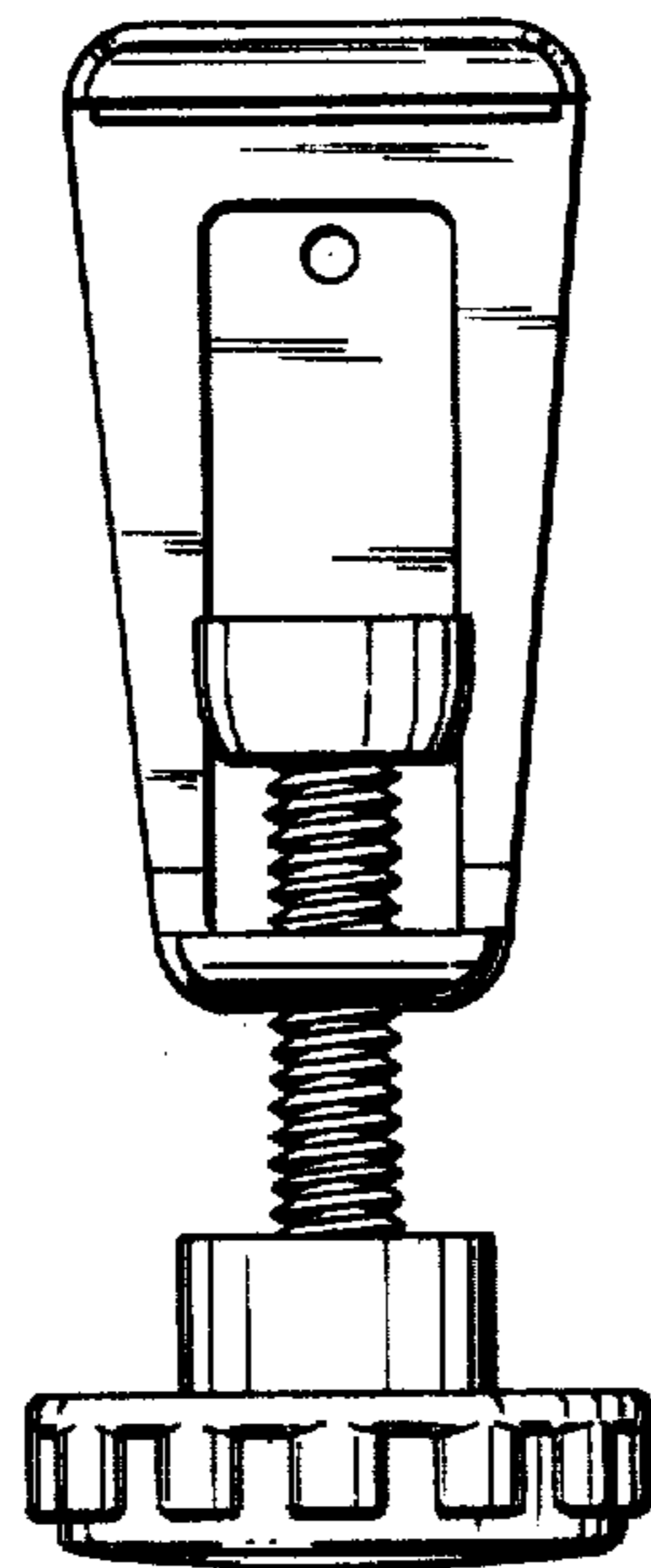


Fig. 2

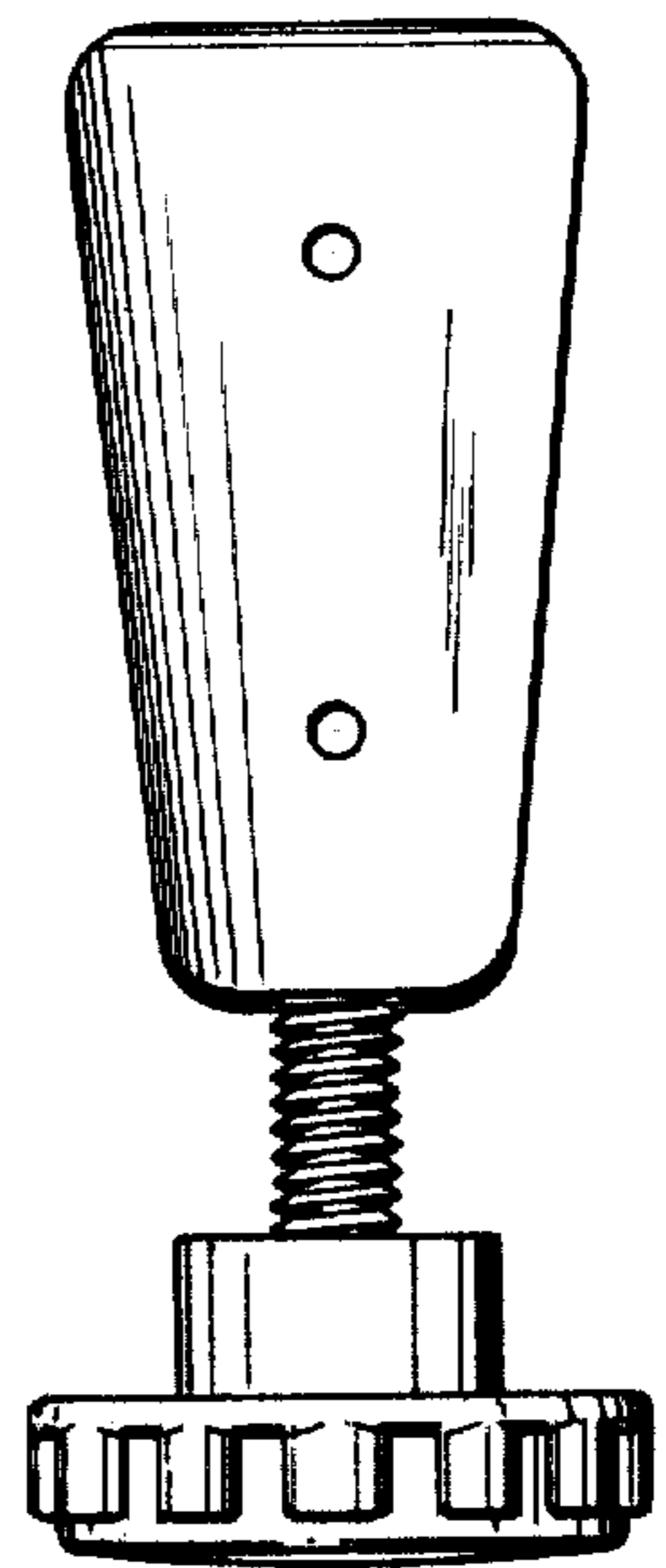


Fig. 4

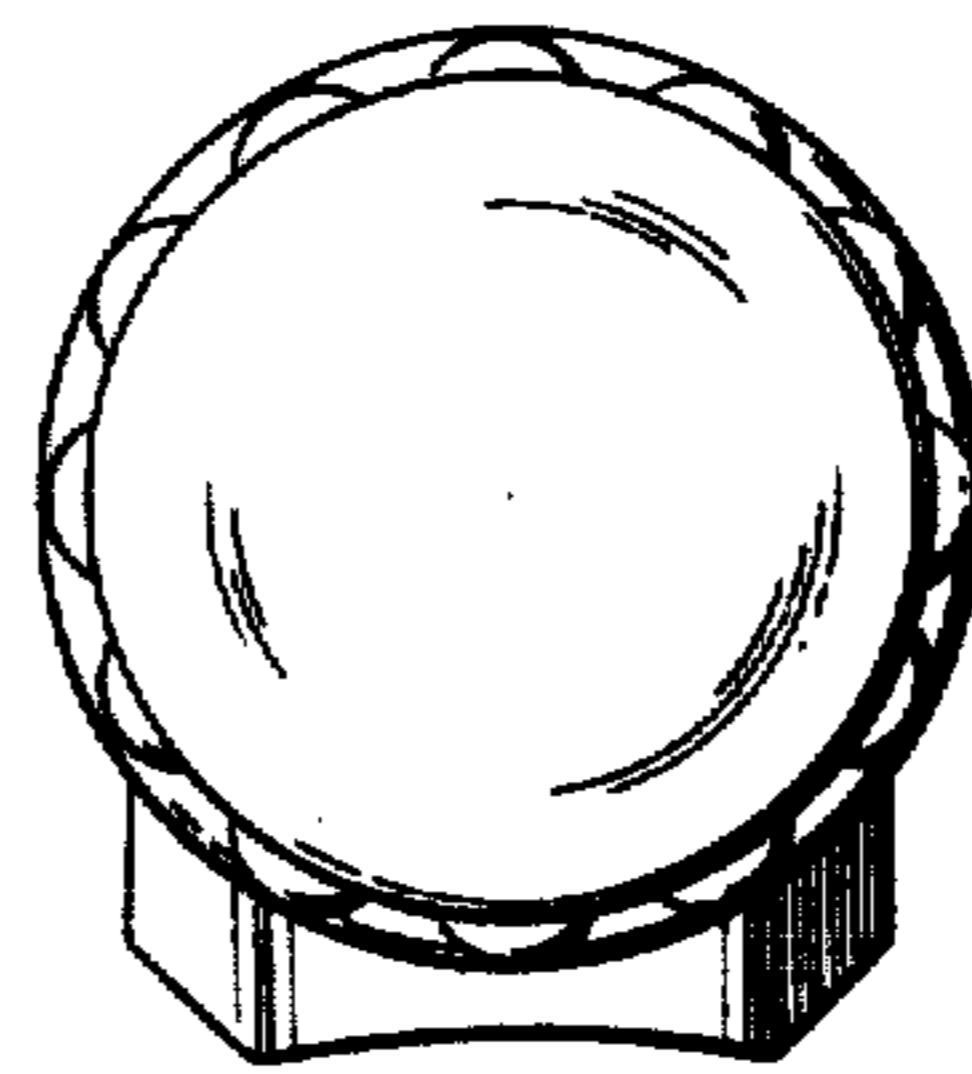


Fig. 5