

[54] JAR LID REMOVER

2,671,362 3/1954 Wilson 81/3.46 R

[76] Inventor: Thomas M. Funka, Sr., 1238 Cass Rd., Maumee, Ohio 43537

FOREIGN PATENT DOCUMENTS

772929 4/1957 United Kingdom 81/3.4

[**] Term: 14 Years

Primary Examiner—Joel Stearman
Assistant Examiner—Carmen H. Vales
Attorney, Agent, or Firm—Wilson, Fraser, Barker & Clemens

[21] Appl. No.: 231,666

[22] Filed: Feb. 5, 1981

[57] CLAIM

The ornamental design for a jar lid remover, as shown.

[51] Int. Cl. D7-99

[52] U.S. Cl. D8/37

[58] Field of Search D8/18, 33, 37, 40, 41, D8/43; 81/3.3 R, 3.3 A, 3.31, 3.4, 3.46 R, 3.46 A

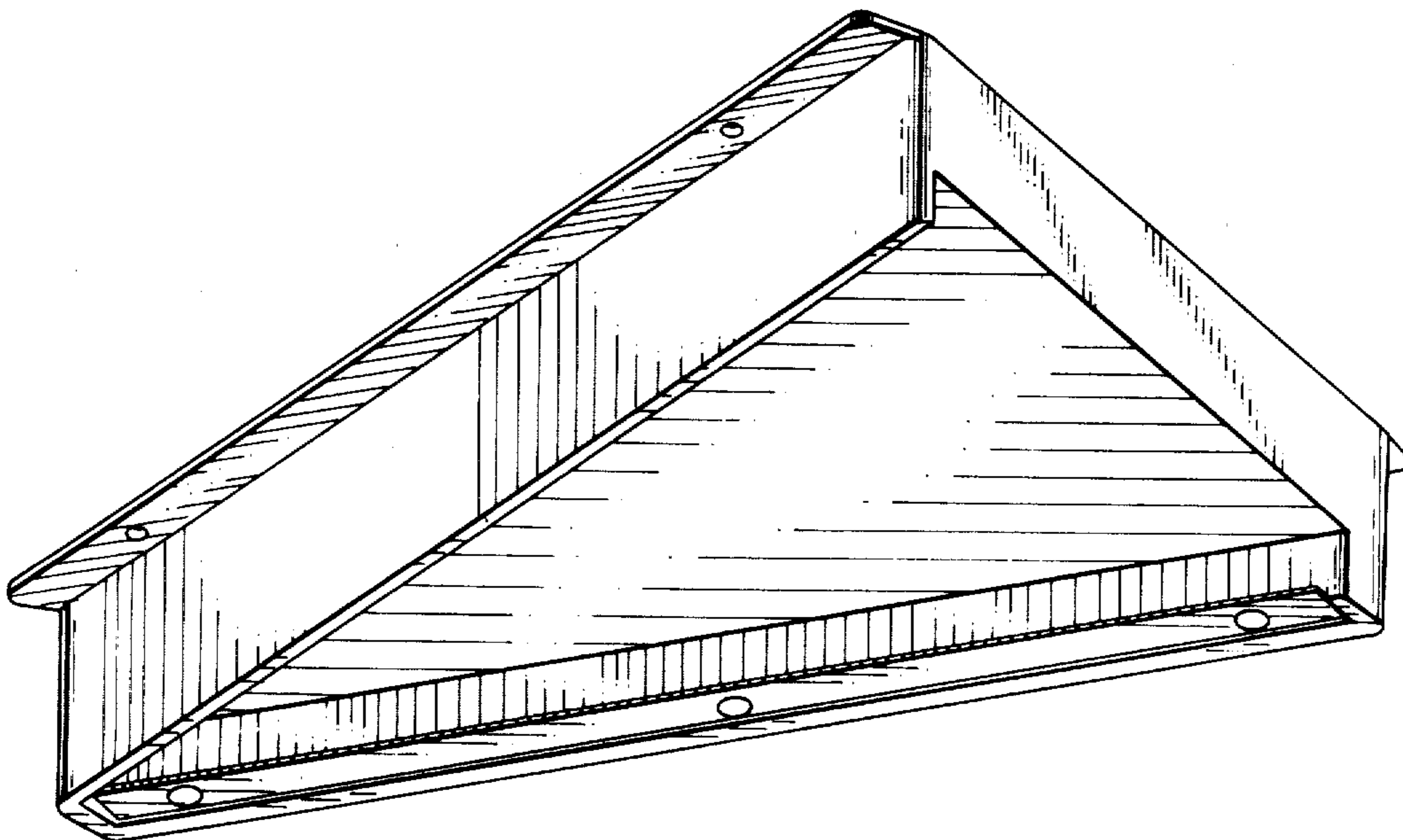
DESCRIPTION

FIG. 1 is a bottom perspective view of a jar lid remover showing my new design; FIG. 2 is a front elevational view thereof; FIG. 3 is a rear elevational view thereof; FIG. 4 is a side elevational view thereof; FIG. 5 is a bottom plan view thereof; and FIG. 6 is a top plan view thereof.

[56] References Cited

U.S. PATENT DOCUMENTS

1,707,804 4/1929 Haase D8/37 X
2,053,246 9/1936 Lurcott D8/37 X



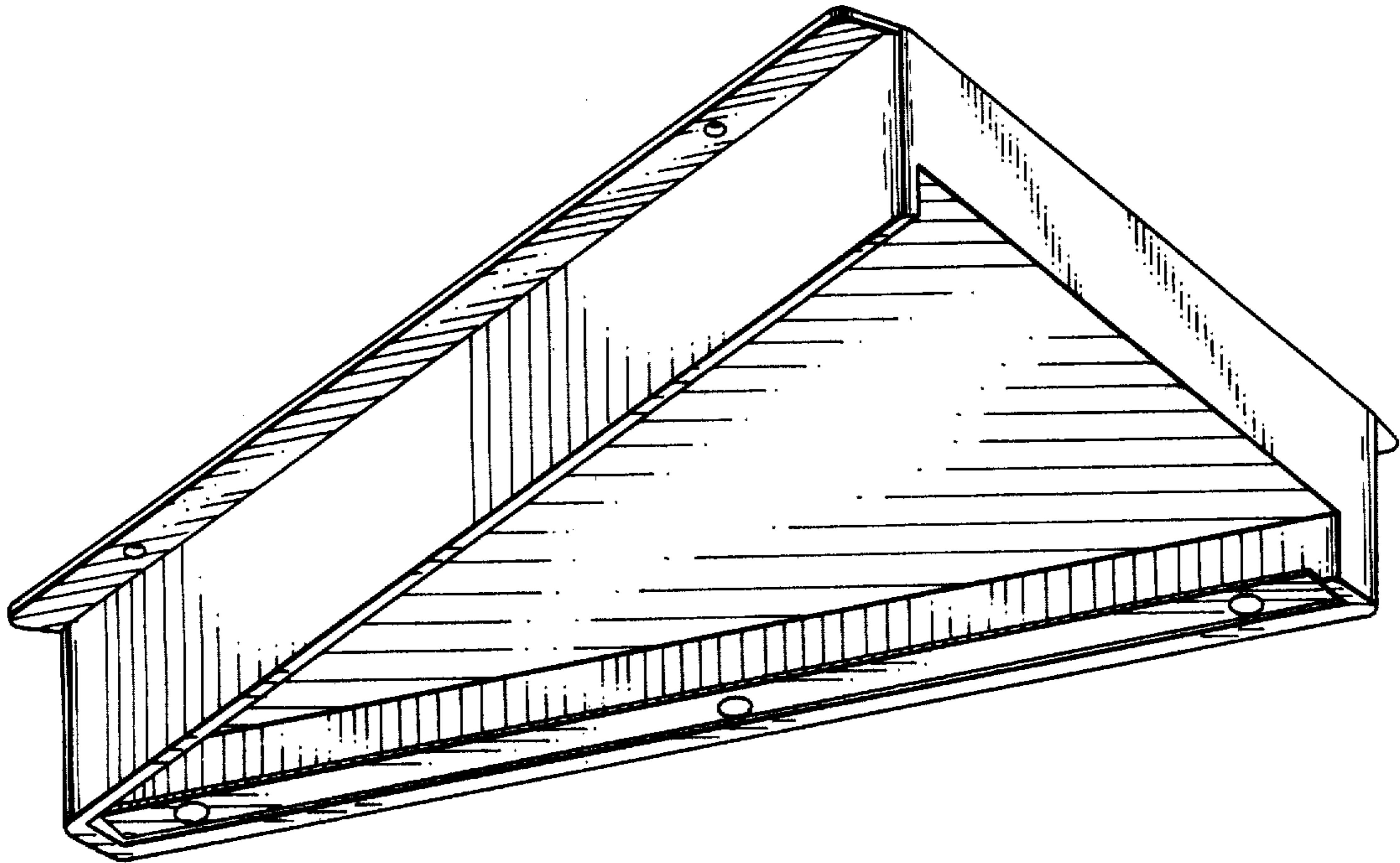


FIG. 1

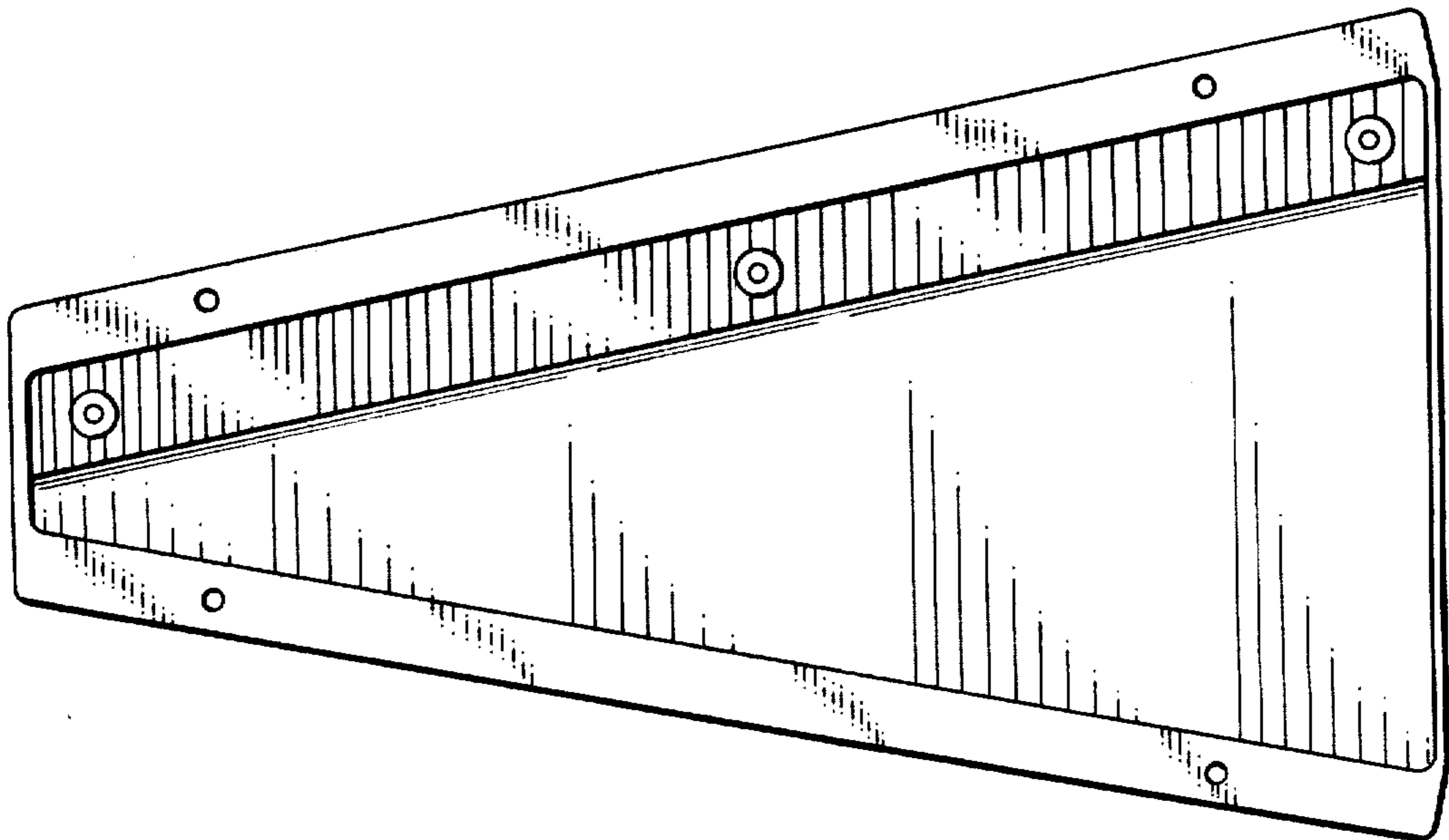


FIG. 6

FIG. 2



FIG. 3

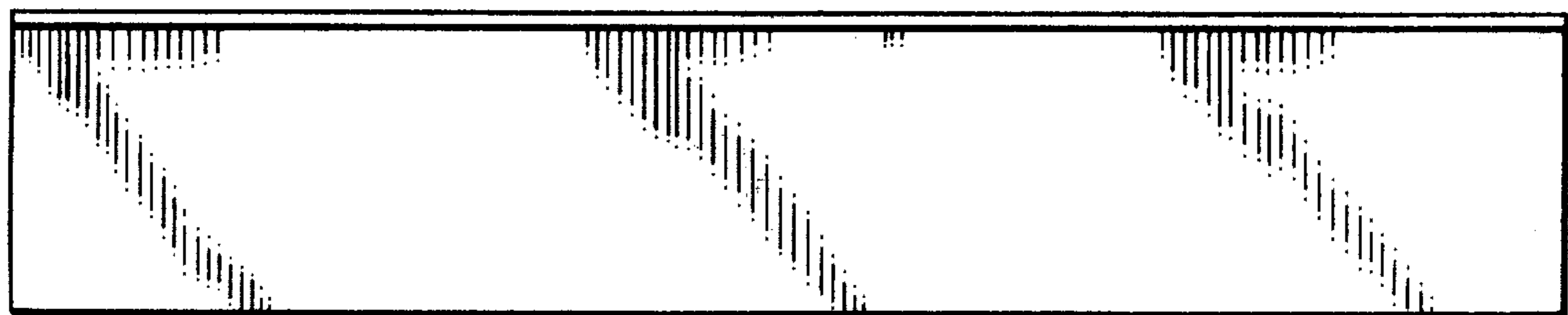
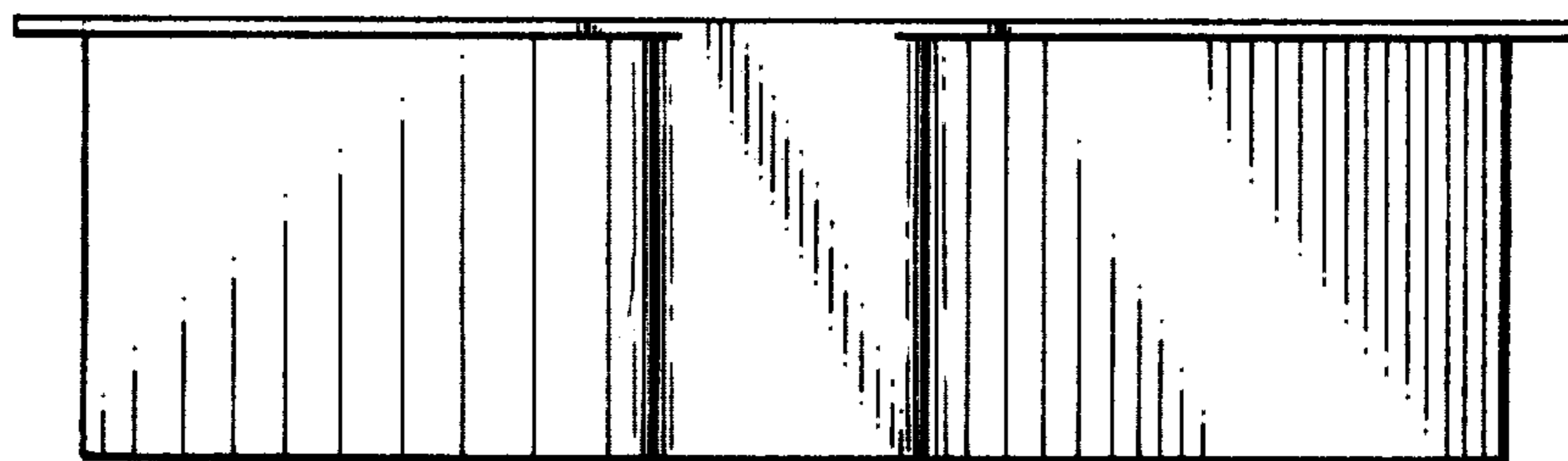


FIG. 4

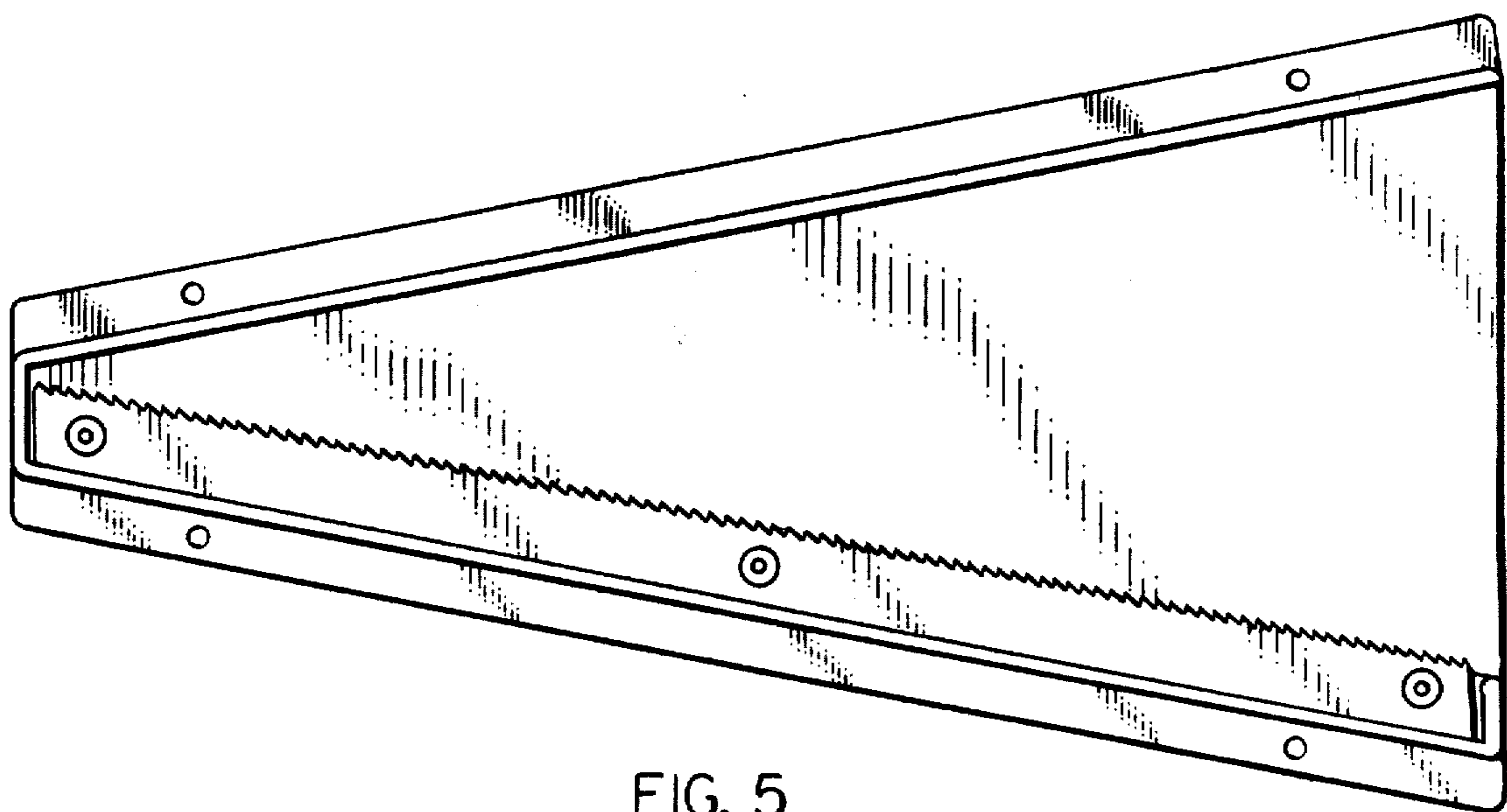


FIG. 5