

[54] DISPLAY HOLDER FOR BROCHURES AND THE LIKE

[75] Inventor: Richard M. Liptak, Parma Heights, Ohio

[73] Assignee: Integral Design, Inc., Cleveland, Ohio

[**] Term: 14 Years

[21] Appl. No.: 137,766

[22] Filed: Apr. 7, 1980

[51] Int. Cl. D20-02

[52] U.S. Cl. D6/184; D6/188; D19/85; D19/78

[58] Field of Search D6/1, 85, 140, 157, D6/181, 184, 185, 186, 188, 147, 189, 146, 148; D19/75, 78, 85, 86, 90, 91; D7/72, 75; 40/10 R, 10 D, 124, 124.2, 124.4, 124.1, 904; 206/44 R, 44.12, 45, 34, 425, 555; 211/50, 55, 56, 58; 221/33, 34, 68, 92, 93; 312/42, 50, 59

[56] References Cited

U.S. PATENT DOCUMENTS

D. 39,872	3/1909	Smith	D6/188
D. 140,246	2/1945	Wemyss	D6/188
D. 236,172	8/1975	Berlin	D6/146 X
D. 251,466	4/1979	Ciminelli	D6/140
623,594	4/1899	Burt	312/42

OTHER PUBLICATIONS

"Beemak Plastics", Literature Holders, Aug. 1, 1977; Back Cover Rack #CR-800 & CRS-800; top right of page.

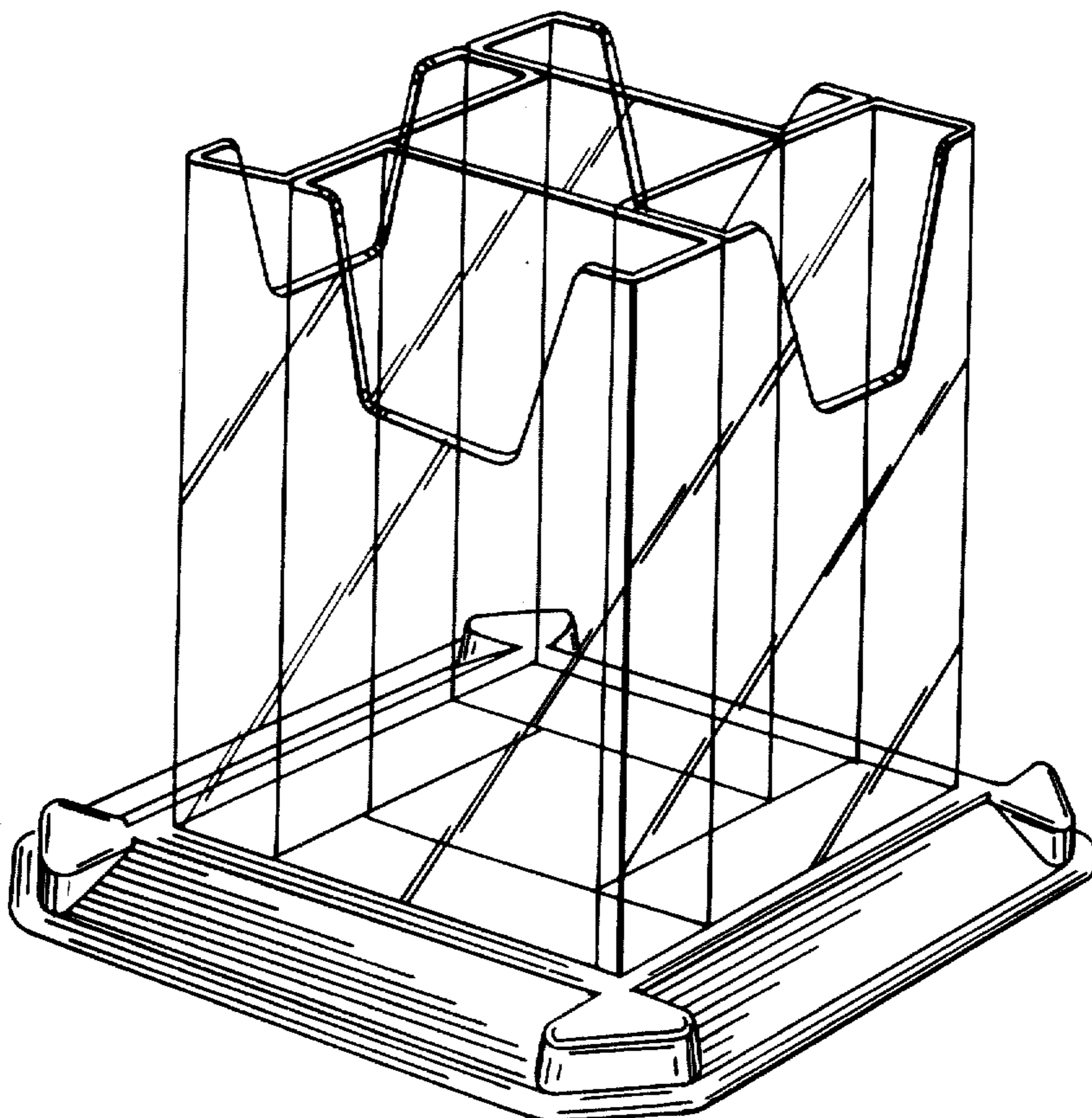
Primary Examiner—Joel Stearman
Assistant Examiner—Carmen H. Vales
Attorney, Agent, or Firm—Pearne, Gordon, Sessions, McCoy & Granger

[57] CLAIM

The ornamental design for a display holder for brochures and the like, as shown and described.

DESCRIPTION

FIG. 1 is a perspective view of the display holder for brochures and the like showing my new design. FIG. 2 is a top plan view thereof. FIG. 3 is a side elevational view. The bottom view of the holder is plain and unornamental.



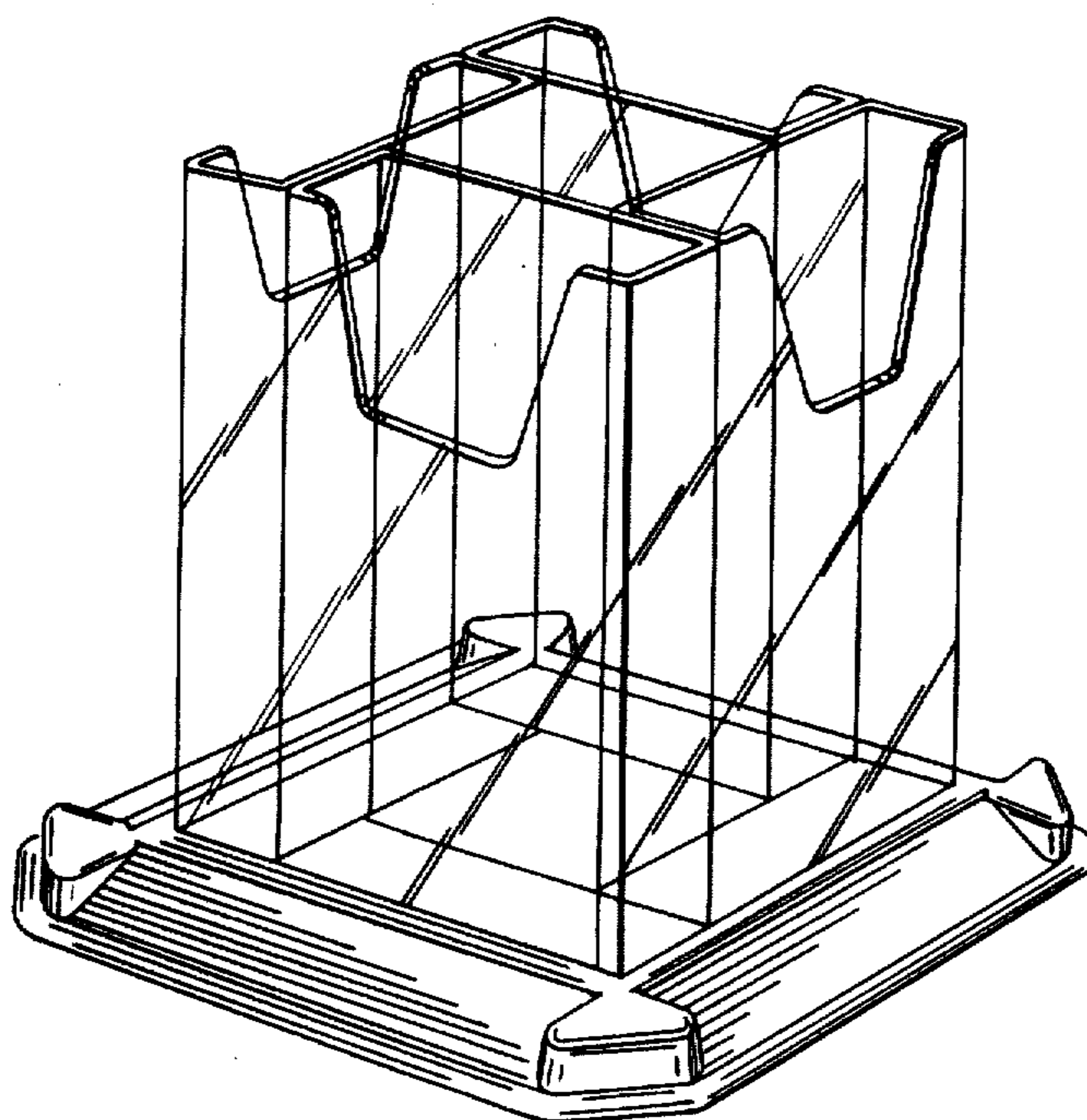


Fig. 1

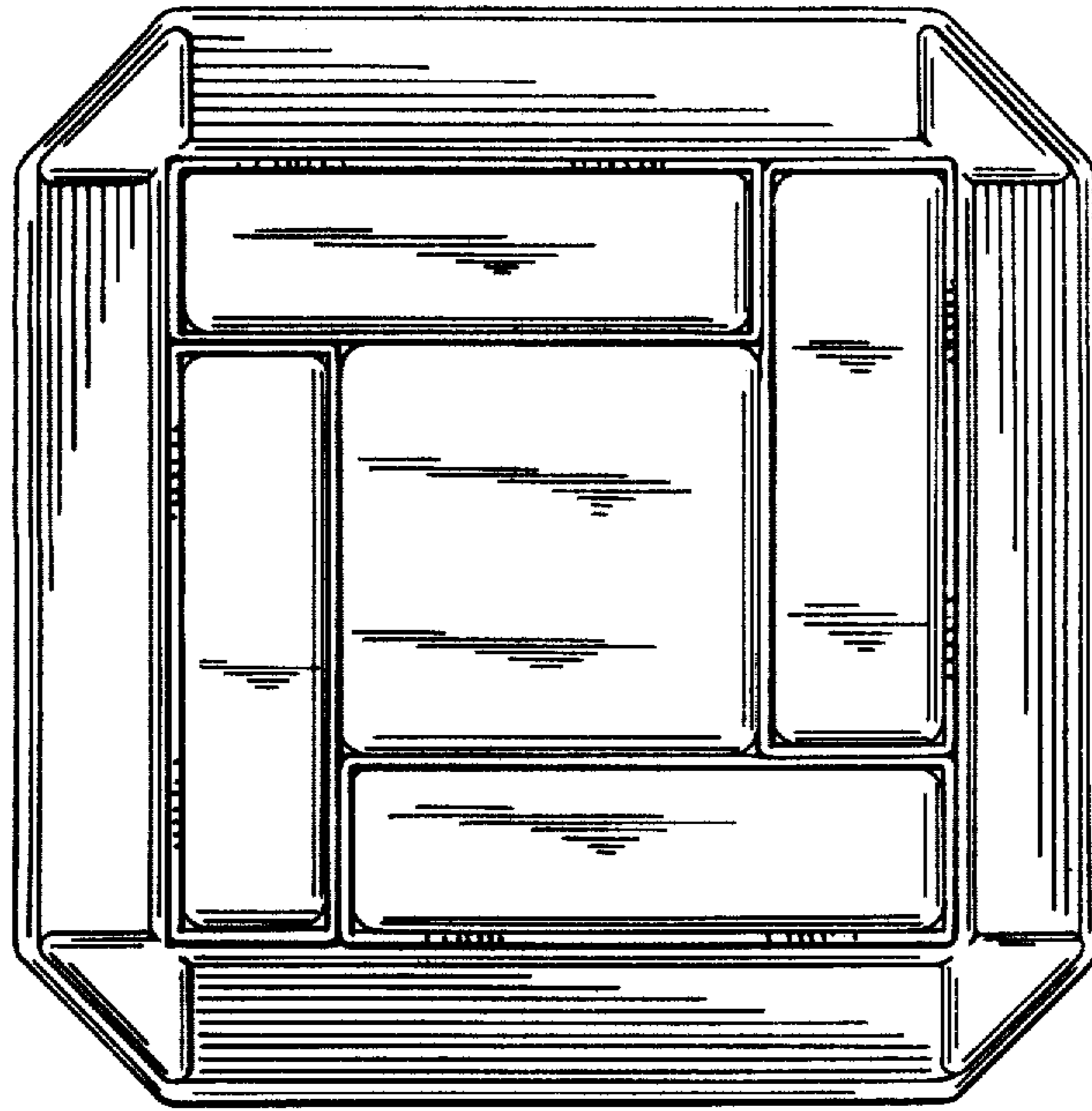


Fig. 2

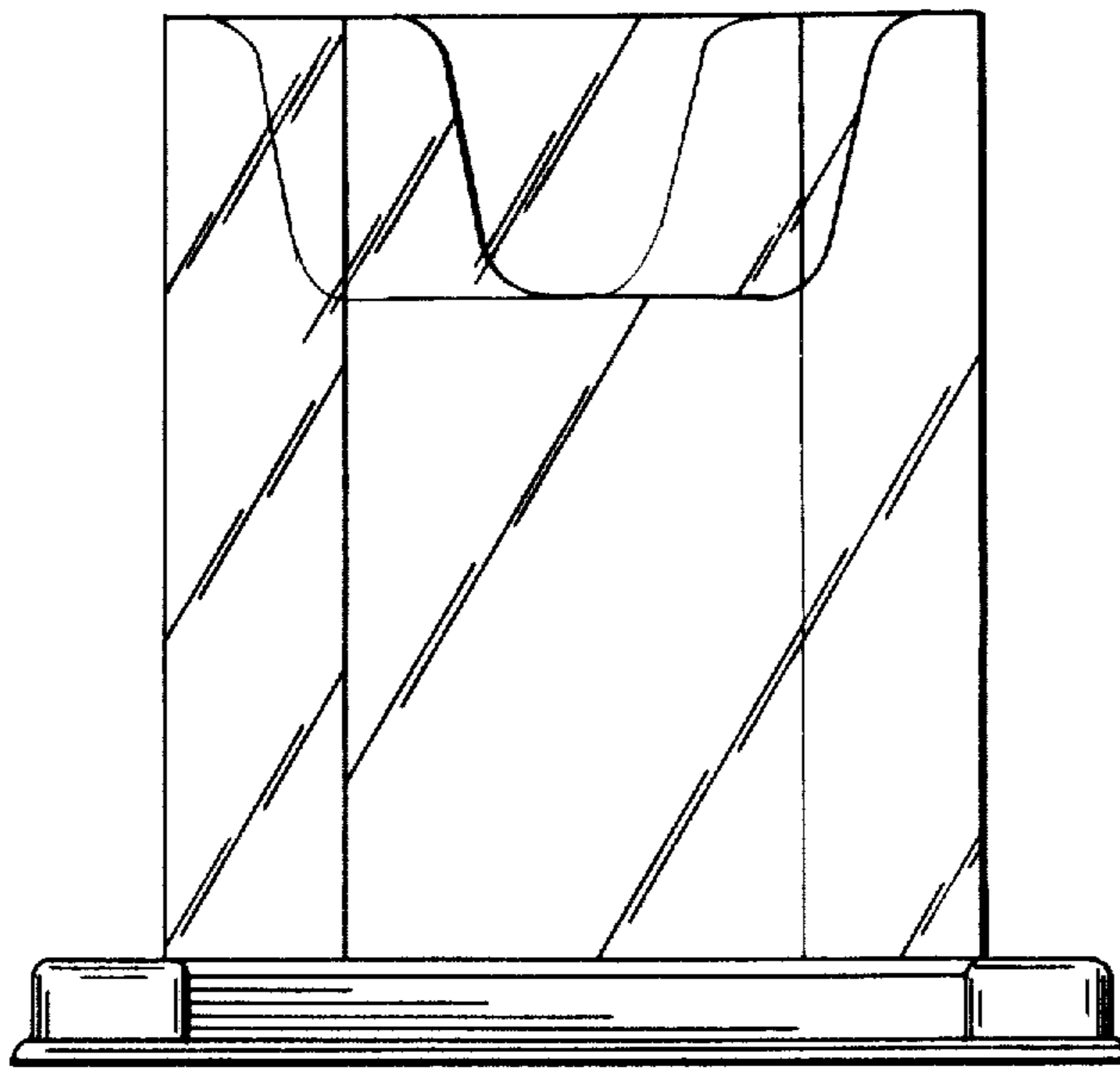


Fig. 3