

[54] CASSETTE STORAGE CABINET

[76] Inventor: Robert L. Thompson, 5731 Antietam Dr., Winston-Salem, N.C. 27106

[**] Term: 14 Years

[21] Appl. No.: 157,048

[22] Filed: Jun. 6, 1980

[51] Int. Cl. D06-04

[52] U.S. Cl. D6/170

[58] Field of Search D6/167, 168, 169, 170, D6/181, 184, 185, 186; 211/41; 206/387; 312/9, 10, 11, 12, 13, 14, 15, 16, 17, 18

[56] **References Cited**

U.S. PATENT DOCUMENTS

D. 257,306 10/1980 Aboussovan D6/189 X

2,562,112 7/1951 Minardi 312/11

2,868,606 1/1959 Stierna 312/9 X

3,185,307 5/1965 Higgins 312/9 X

FOREIGN PATENT DOCUMENTS

2406407 6/1979 France 312/9

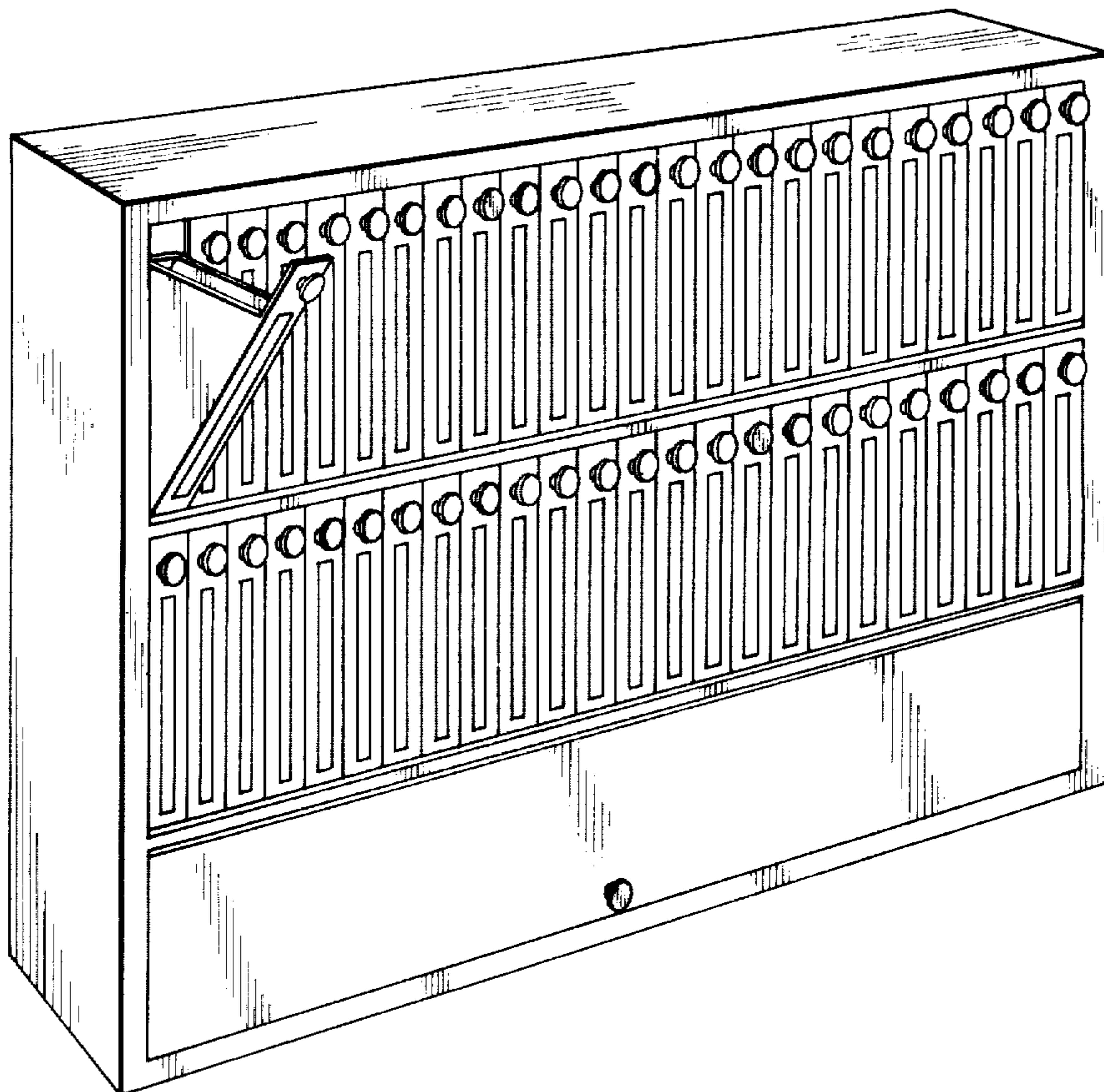
Primary Examiner—Joel Stearman
Assistant Examiner—Carmen H. Vales
Attorney, Agent, or Firm—Charles R. Rhodes; Judith G. Smith

[57] **CLAIM**

The ornamental design for a cassette storage cabinet, as shown and described.

DESCRIPTION

The sole FIGURE is a perspective view of a cassette storage cabinet showing my new design; the opposite end not shown is identical thereto. The rear and bottom views are flat, plain and unornamented.



U.S. Patent

Jan. 18, 1983

Des. 267,616

