

[54] COMBINED APERTURED BOARD AND STORAGE ELEMENTS THEREFOR

3,014,597 12/1961 McWherter ..... D25/90  
3,310,271 3/1967 King ..... 248/22.12  
4,234,094 11/1980 Jorgenson ..... 211/88

[75] Inventors: Lawrence Peabody, New York;  
Theodore W. Schriever, Syracuse;  
Stephen K. Wenczl, Fayetteville, all  
of N.Y.

FOREIGN PATENT DOCUMENTS

449096 6/1948 Canada ..... 242/55.53

[73] Assignee: Syroco, Inc., Syracuse, N.Y.

OTHER PUBLICATIONS

Bloomington's "Living Quarters", p. 9; Combined  
Towel Holder/Shelf 9B.

[\*\*] Term: 14 Years

Primary Examiner—B. J. Bullock

[21] Appl. No.: 169,059

Attorney, Agent, or Firm—Stanley R. Moore; Thomas L.  
Crisman

[22] Filed: Jul. 15, 1980

CLAIM

[51] Int. Cl. .... D6—04

[57] The ornamental design for a combined apertured board  
and storage elements therefor, substantially as shown.

[52] U.S. Cl. .... D6/130; D6/96;  
D6/136

DESCRIPTION

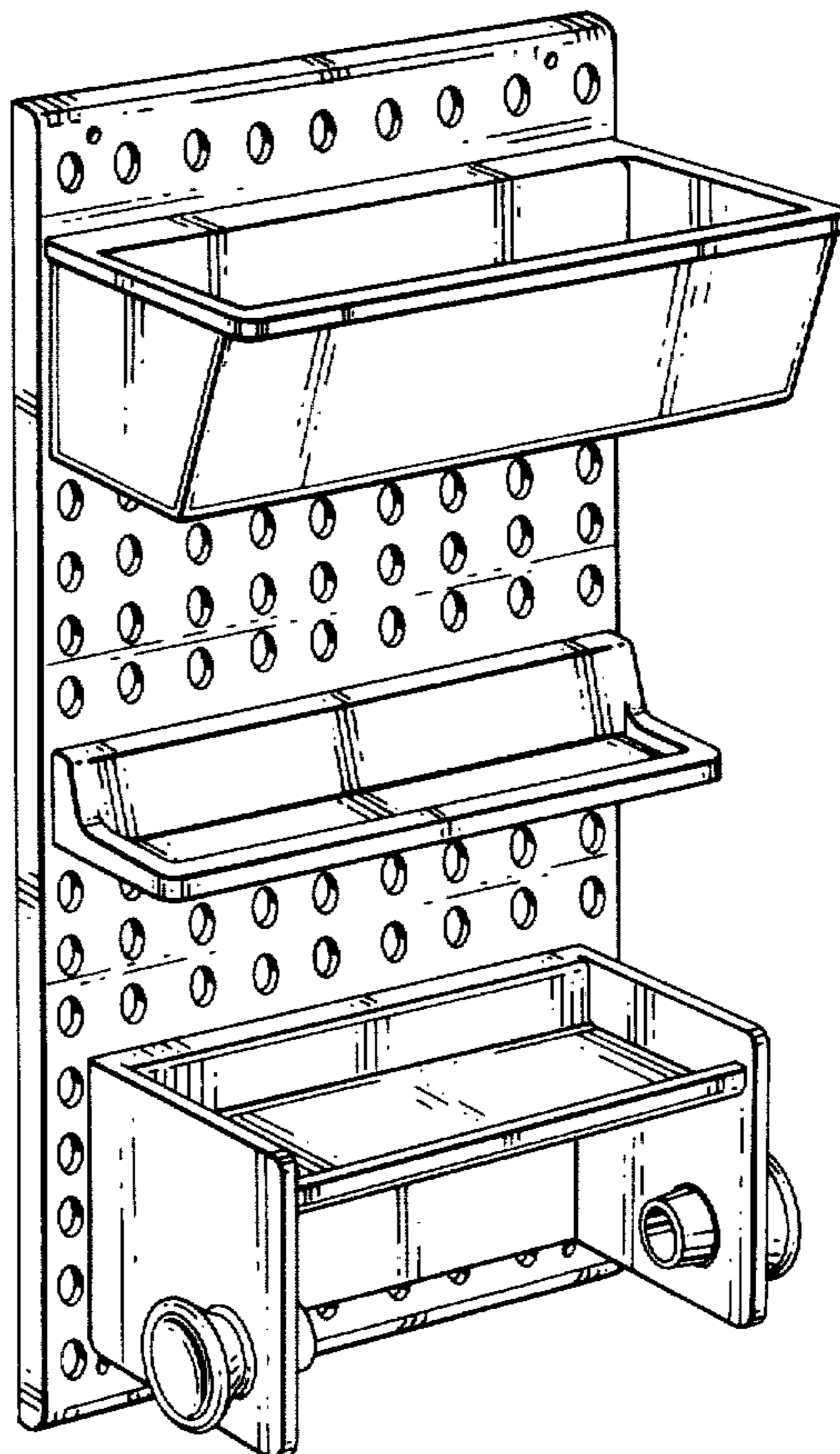
[58] Field of Search ..... D6/86, 91, 96, 97, 114,  
D6/125, 132, 136; D25/88, 90; D11/156;  
211/87, 88, 90, 60 R, 60 T; 248/220.2, 220.3,  
222.2, 222.3, 221.2, 223.2; 108/29, 152;  
312/37-41; 242/55.2, 55.3, 55.53, 55.54, 55.55,  
55.42

FIG. 1 is a front perspective view of the combined  
apertured board and storage elements therefor showing  
our new design;  
FIG. 2 is a front elevational view;  
FIG. 3 is a top plan view;  
FIG. 4 is a bottom plan view;  
FIG. 5 is a side elevational view taken from the right of  
FIG. 1, the side opposite being a mirror image thereof;  
FIG. 6 is a back elevational view.

[56] References Cited

U.S. PATENT DOCUMENTS

D. 228,854 10/1973 Maurer-Becker ..... D6/131  
2,261,326 11/1941 Atkisson et al. .... D11/156



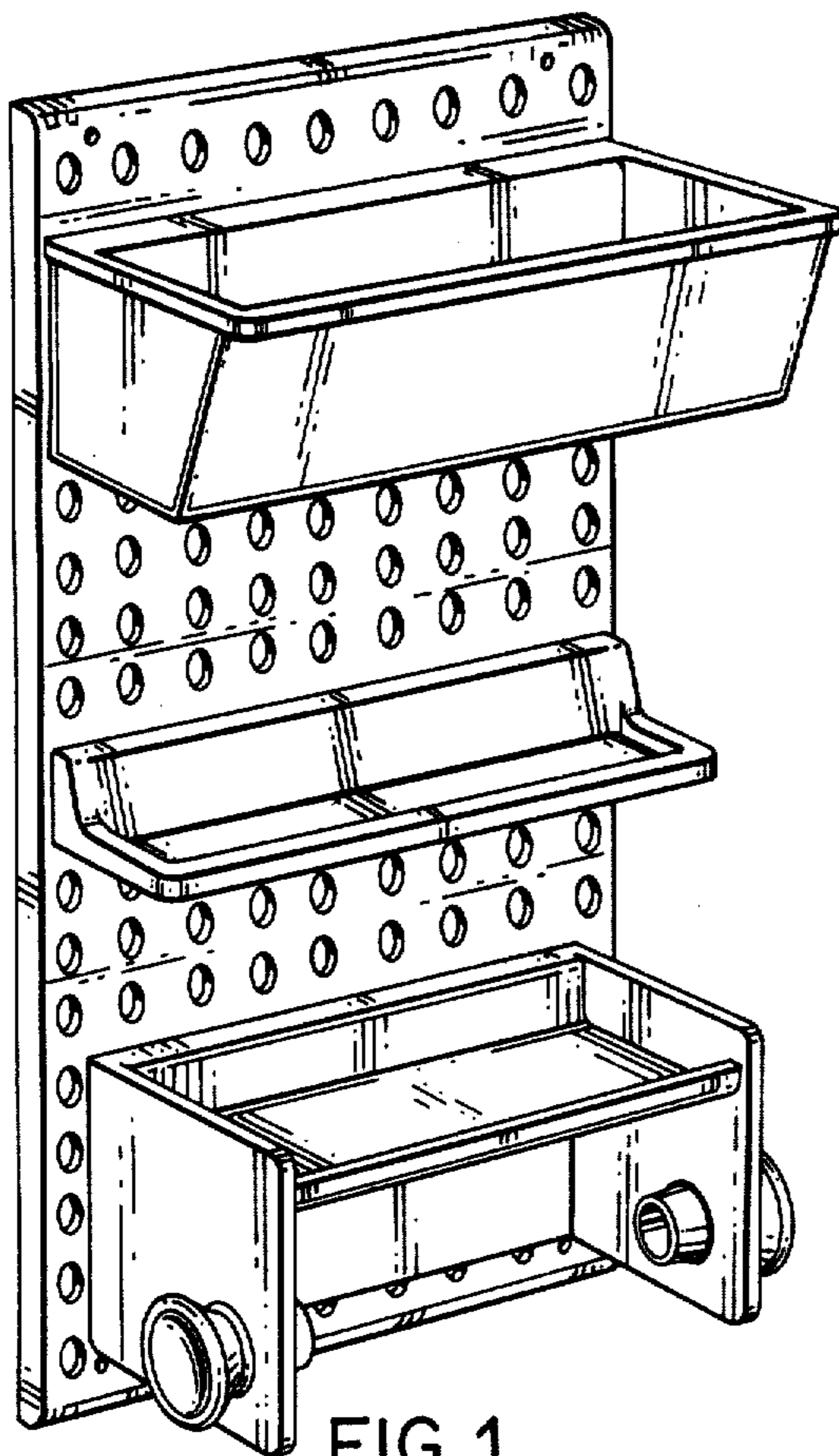


FIG. 1

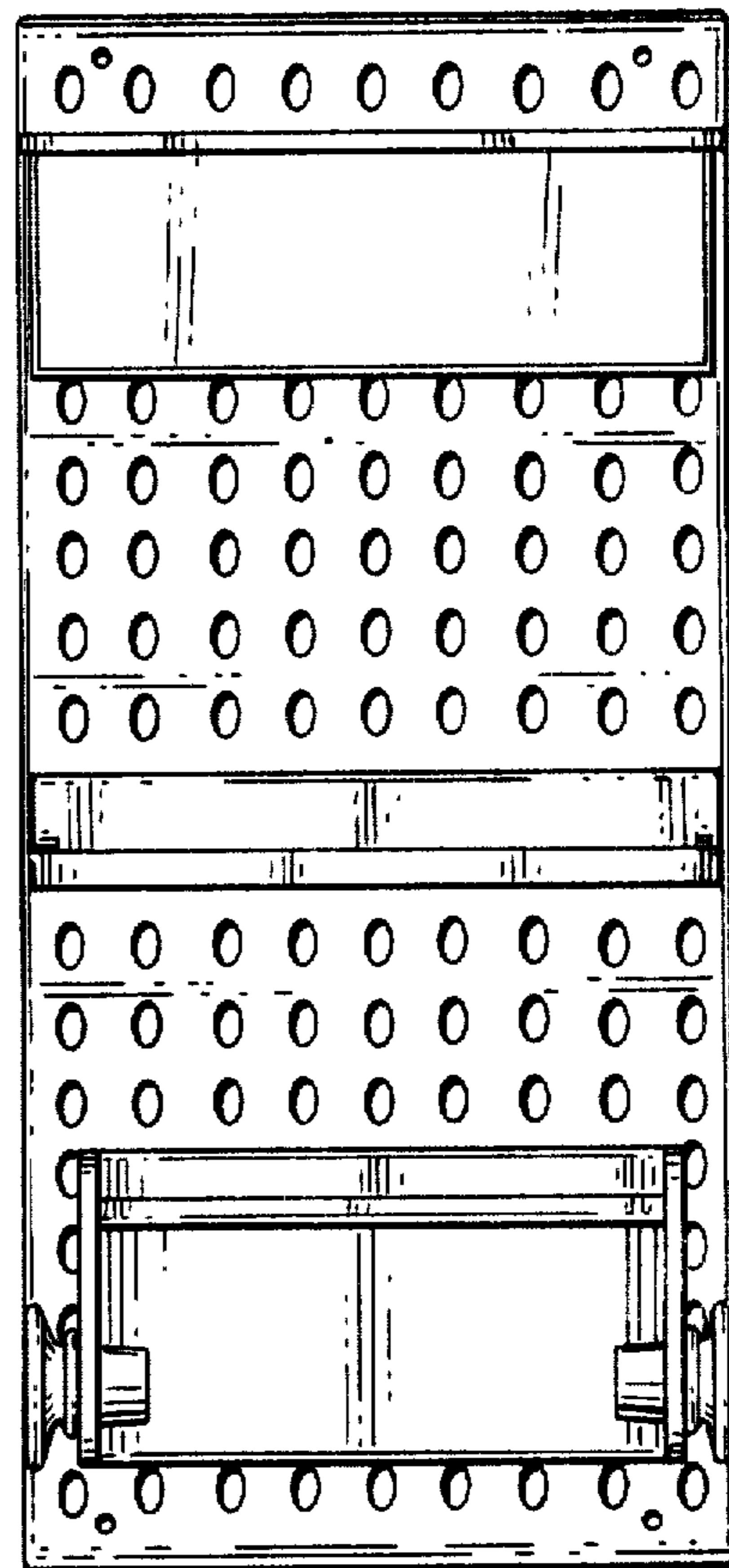


FIG. 2

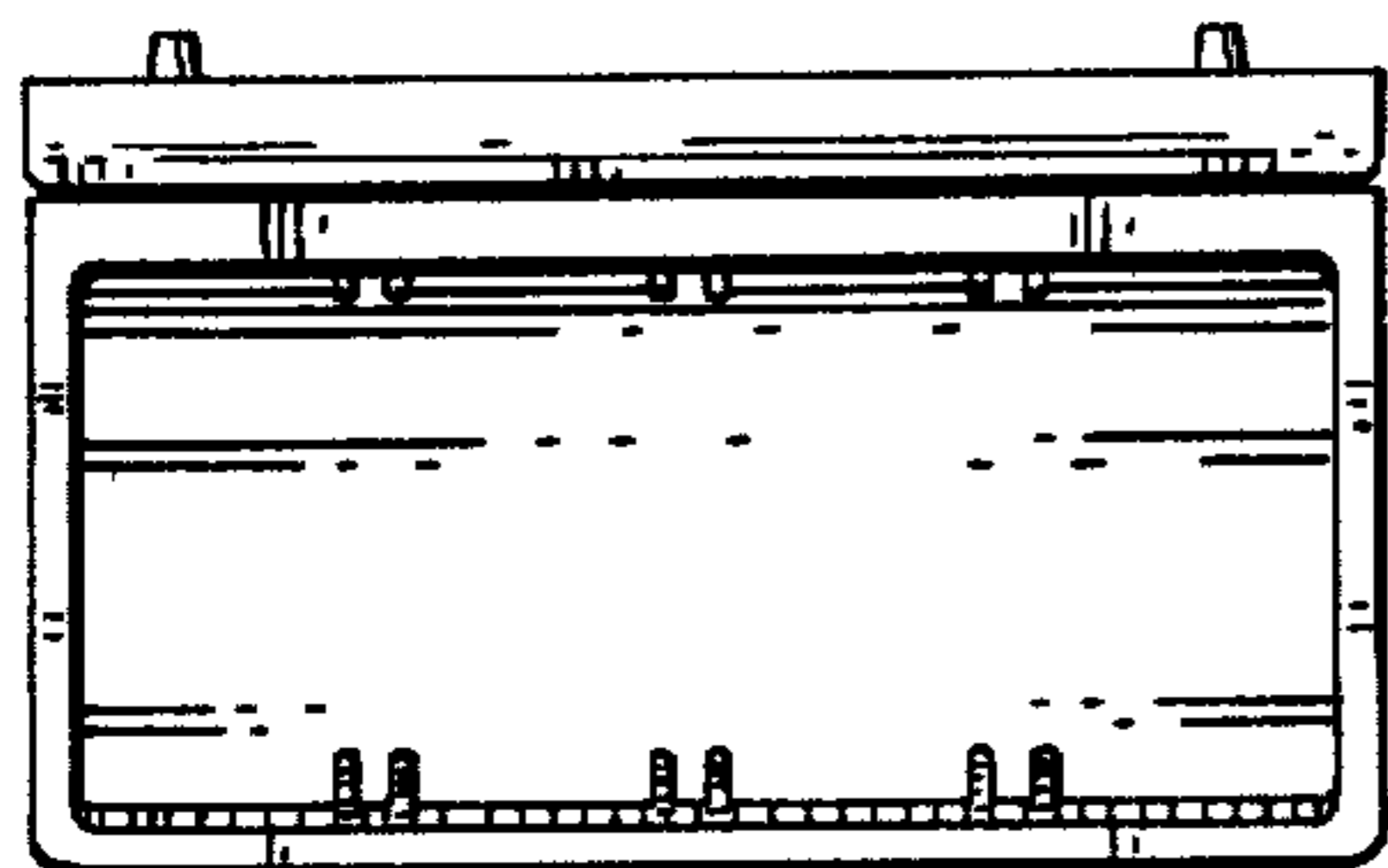


FIG. 3

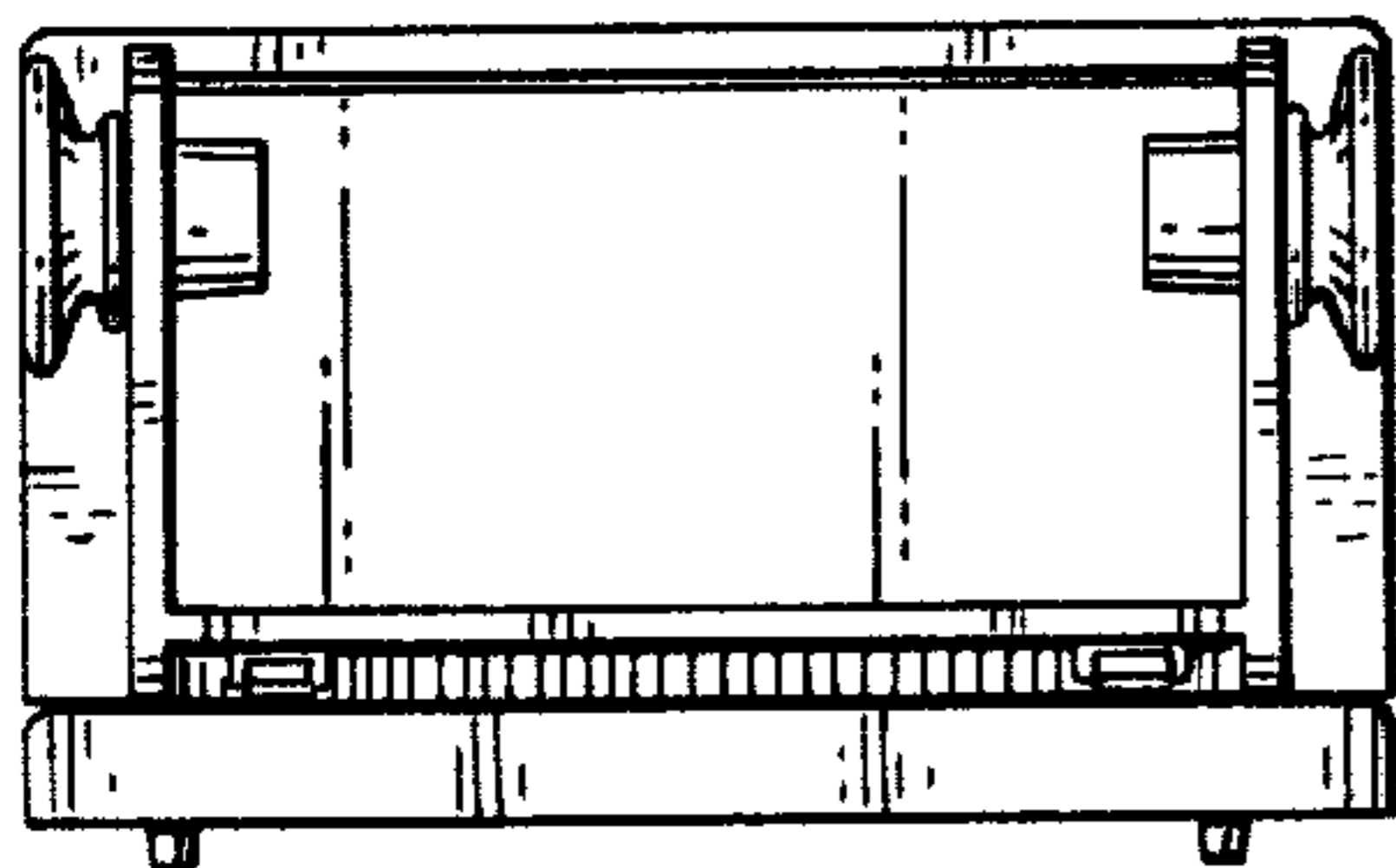


FIG. 4

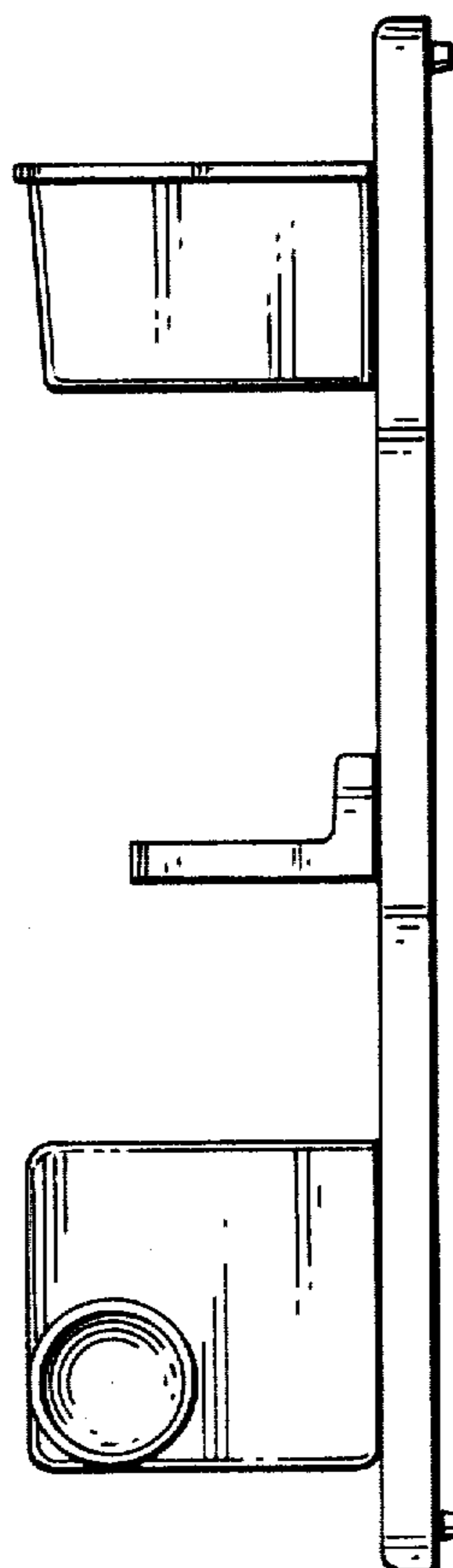


FIG. 5

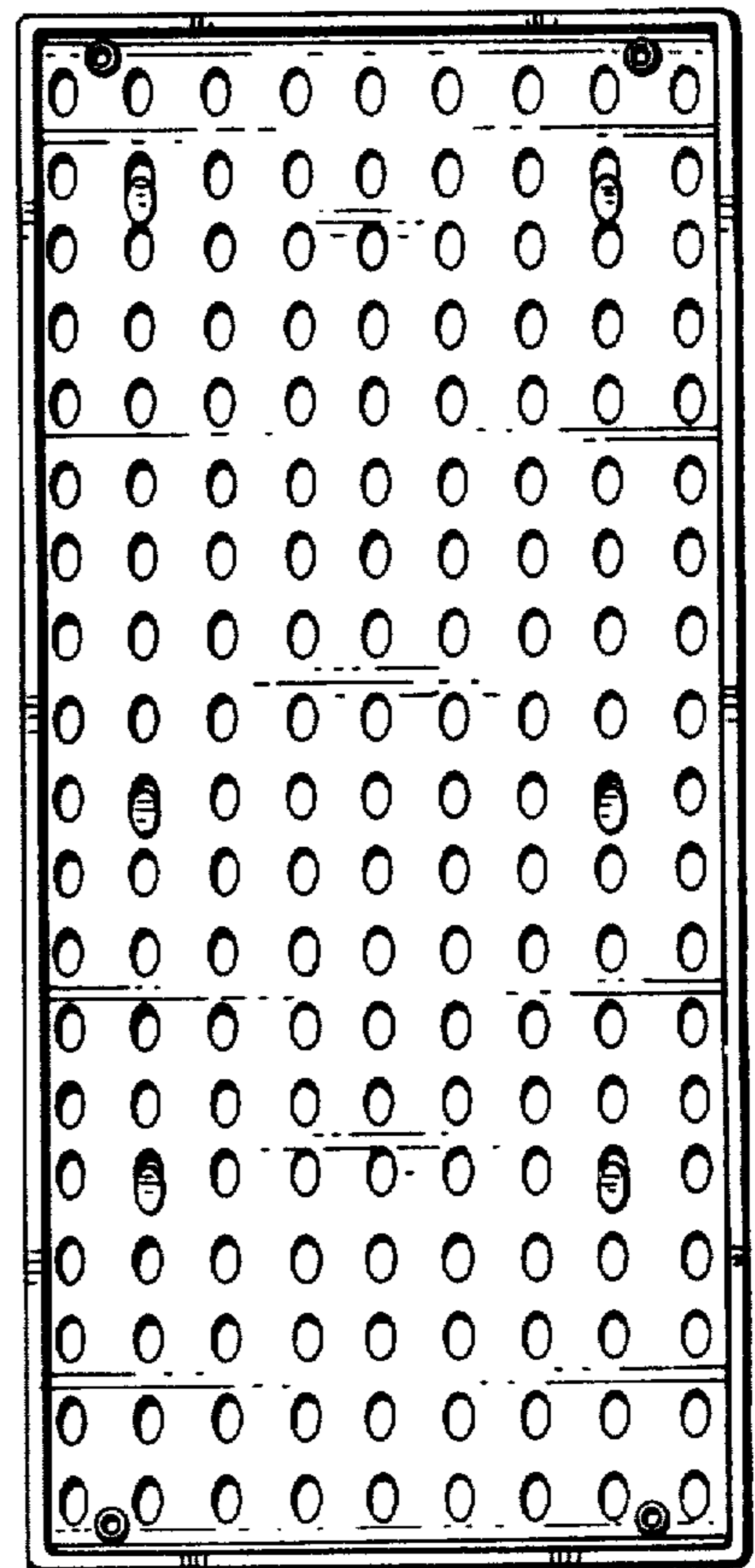


FIG. 6