

[54] WALL MOUNTED BRACKET

[75] Inventor: Guy Vrignaud, Grenoble, France

[73] Assignee: Allibert S.A. Societe Anonyme, Grenoble, France

[**] Term: 14 Years

[21] Appl. No.: 231,346

[22] Filed: Feb. 4, 1981

[30] Foreign Application Priority Data

Aug. 18, 1980 [XH] Hague DM/000313

[51] Int. Cl. D6-06; D8-08

[52] U.S. Cl. D6/122; D6/102; D6/114; D8/372

[58] Field of Search D6/102, 114, 120, 122; D8/367, 370, 371, 372, 373; 211/87; 248/301, 303, 304, 215

[56] References Cited

U.S. PATENT DOCUMENTS

- D. 206,232 11/1966 Magnuson D6/122
- D. 238,920 2/1976 Vrignaud D6/120

FOREIGN PATENT DOCUMENTS

247664 4/1926 United Kingdom 211/87

OTHER PUBLICATIONS

Sweet's Architectural Catalog File 1965; sec. 26d/Pa., p. 15, hook No. 326.
Industrial Design; 9/72; p. 84, hooks.

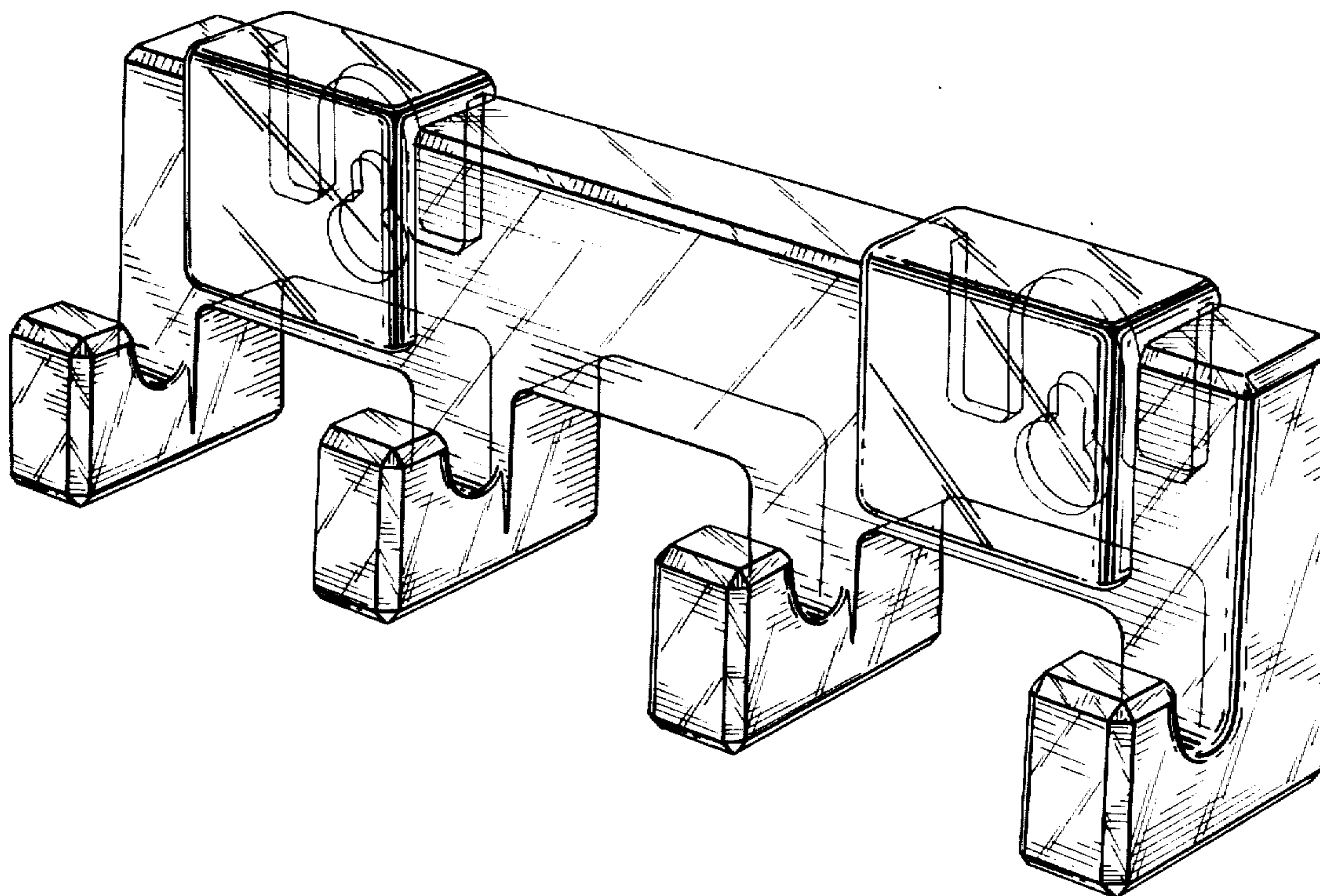
Primary Examiner—B. J. Bullock
Attorney, Agent, or Firm—Young & Thompson

[57] CLAIM

The ornamental design for a wall mounted bracket, as shown.

DESCRIPTION

FIG. 1 is a top perspective view of a wall mounted bracket showing my new design;
FIG. 2 is a front perspective view thereof;
FIG. 3 is a side elevational view taken from the right of FIG. 2, the side opposite being a mirror image thereof;
FIG. 4 is a top perspective view thereof;
FIG. 5 is a bottom plan view thereof; and
FIG. 6 is a rear perspective view thereof.



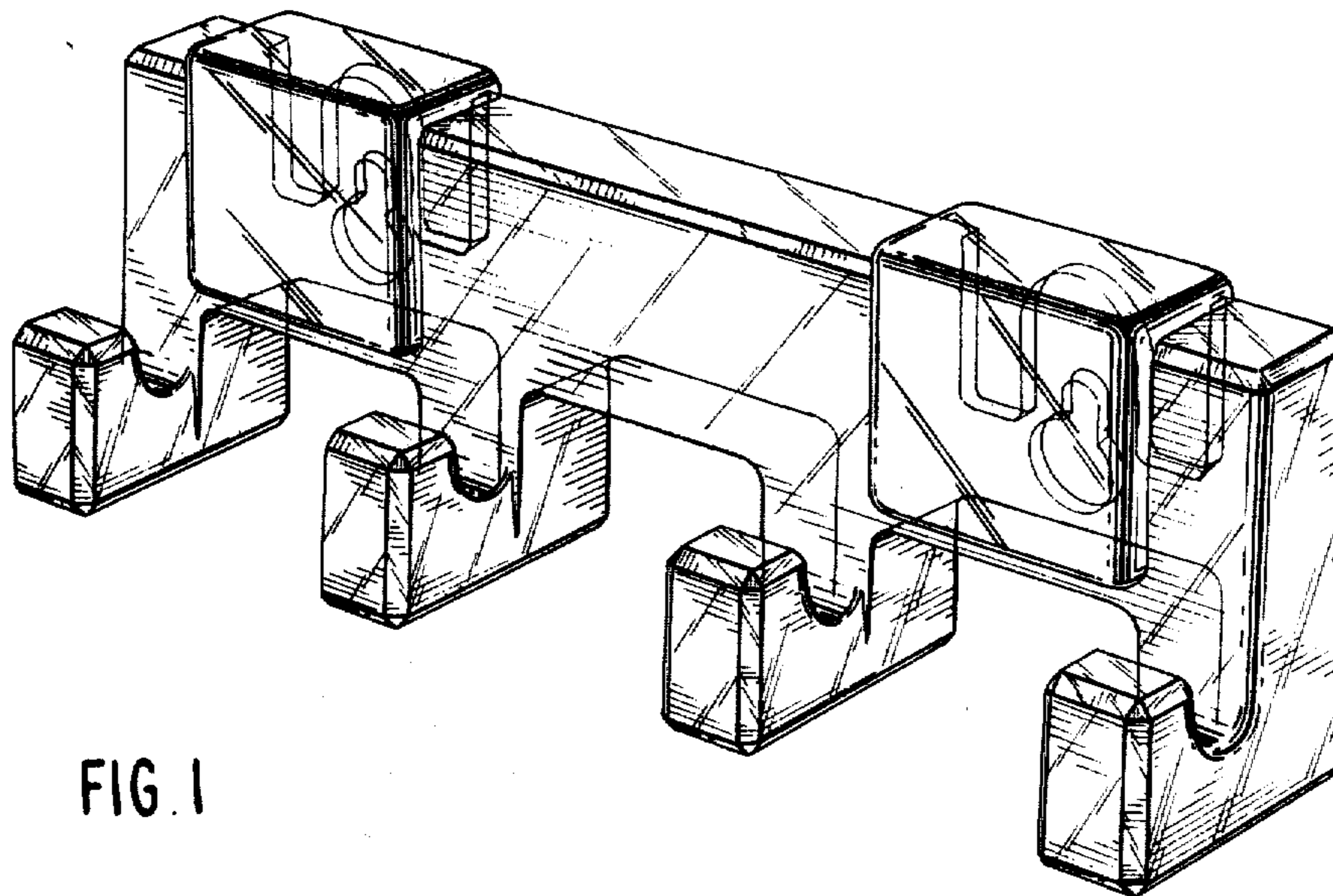


FIG. 1

FIG. 2

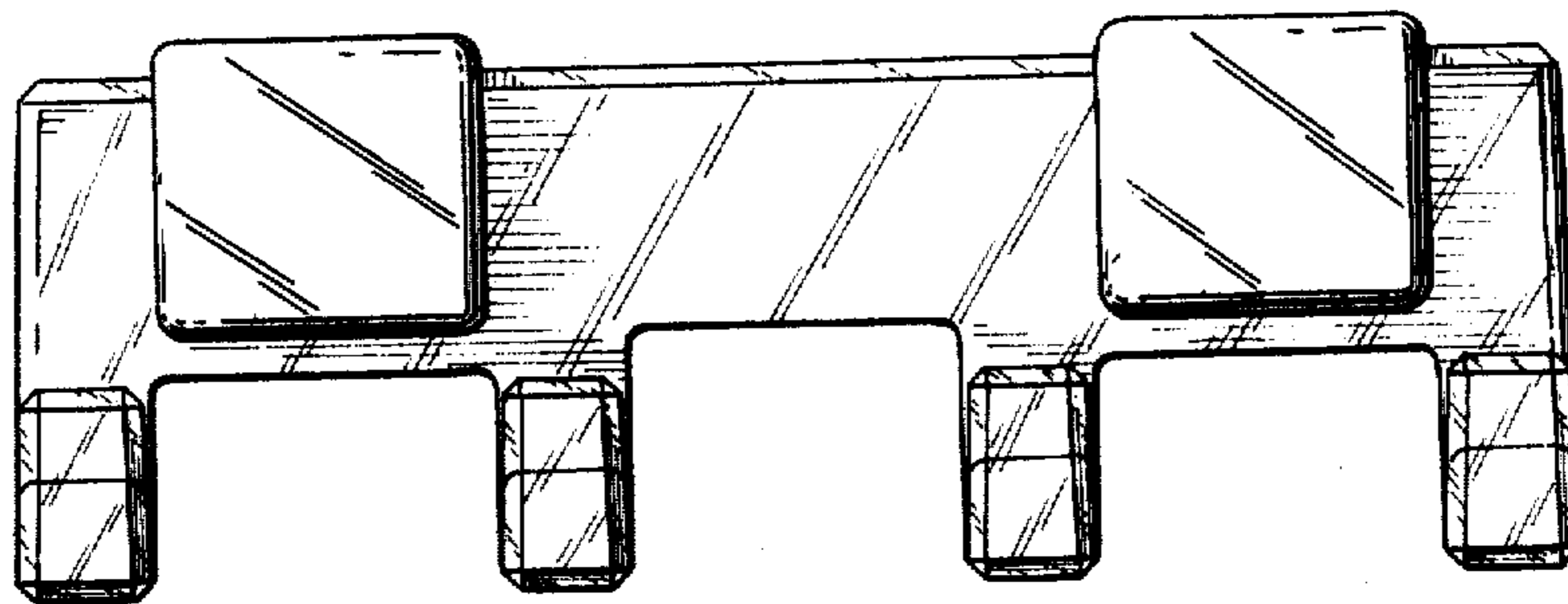


FIG. 3

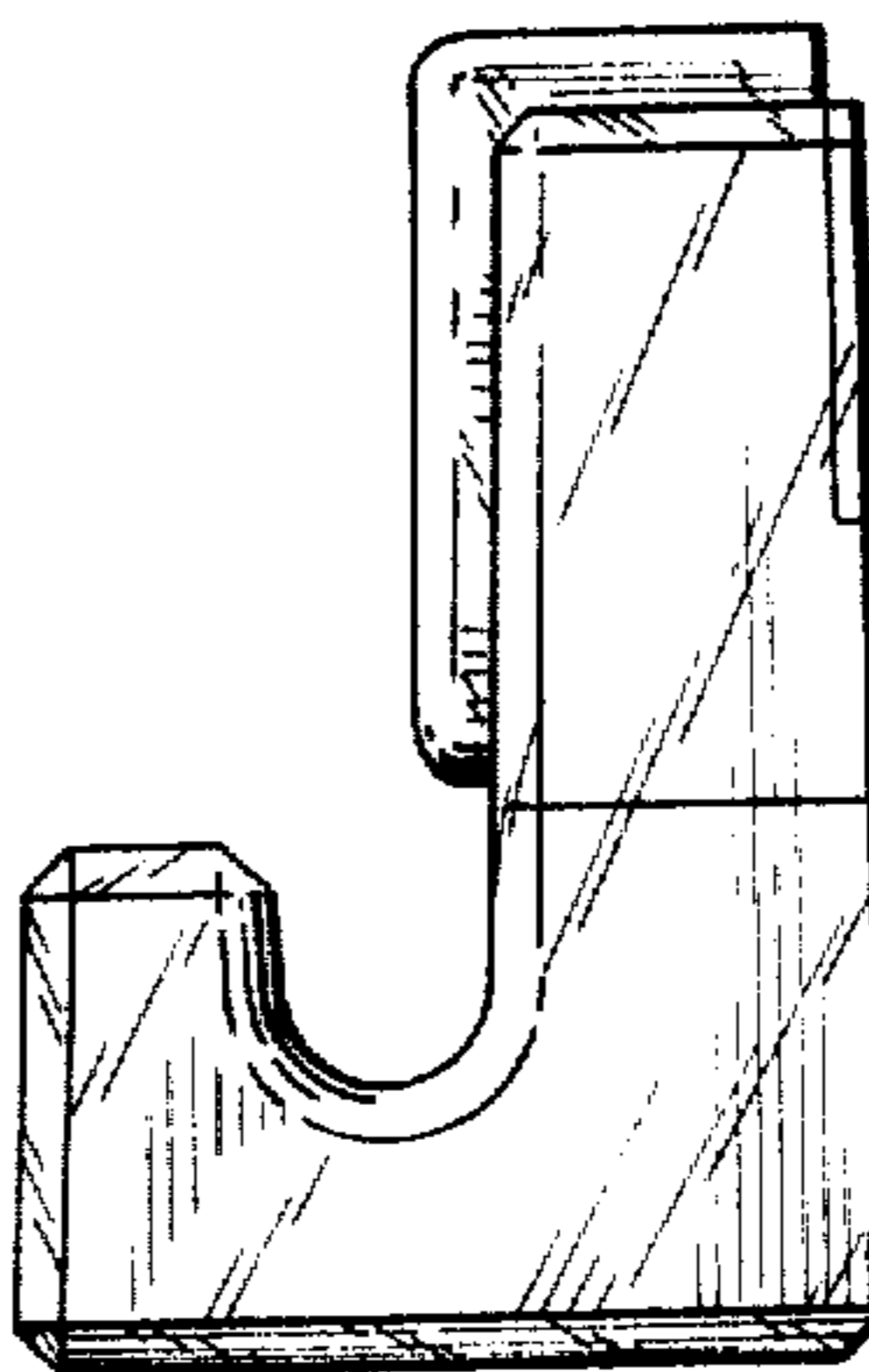


FIG. 4

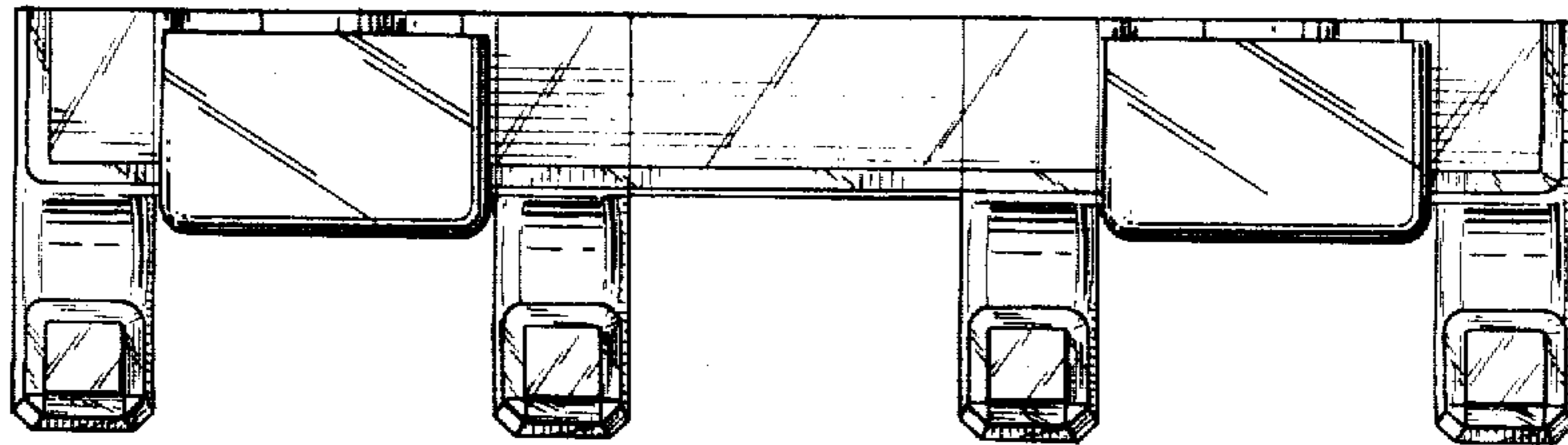


FIG. 5

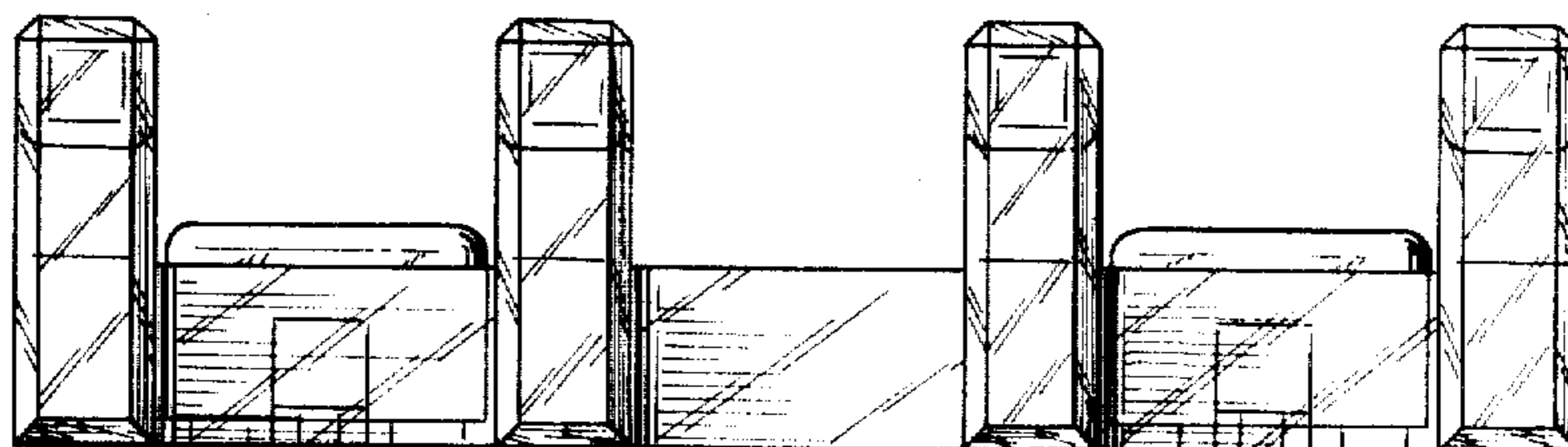


FIG. 6

