

[54] COMPONENT HOOK FOR APERTURED BOARDS

[75] Inventors: Lawrence Peabody, New York; Theodore W. Schriever, Syracuse; Stephen K. Wenczl, Fayetteville, all of N.Y.

[73] Assignee: Syroco, Inc., Syracuse, N.Y.

[**] Term: 14 Years

[21] Appl. No.: 169,074

[22] Filed: Jul. 15, 1980

[51] Int. Cl. D6-06; D8-08

[52] U.S. Cl. D6/114; D6/120; D8/367

[58] Field of Search D6/114, 120, 122; D8/367, 370-372; 211/87, 90; 248/220.2, 220.3, 222.2, 222.3, 221.2, 223.3, 215, 301, 303, 304

[56] References Cited

U.S. PATENT DOCUMENTS

1,799,602 4/1931 North et al. 248/304
3,310,271 3/1967 King 248/221.2
3,880,390 4/1975 Niven 248/222.3

FOREIGN PATENT DOCUMENTS

97673 1/1961 Norway 211/90

Primary Examiner—B. J. Bullock

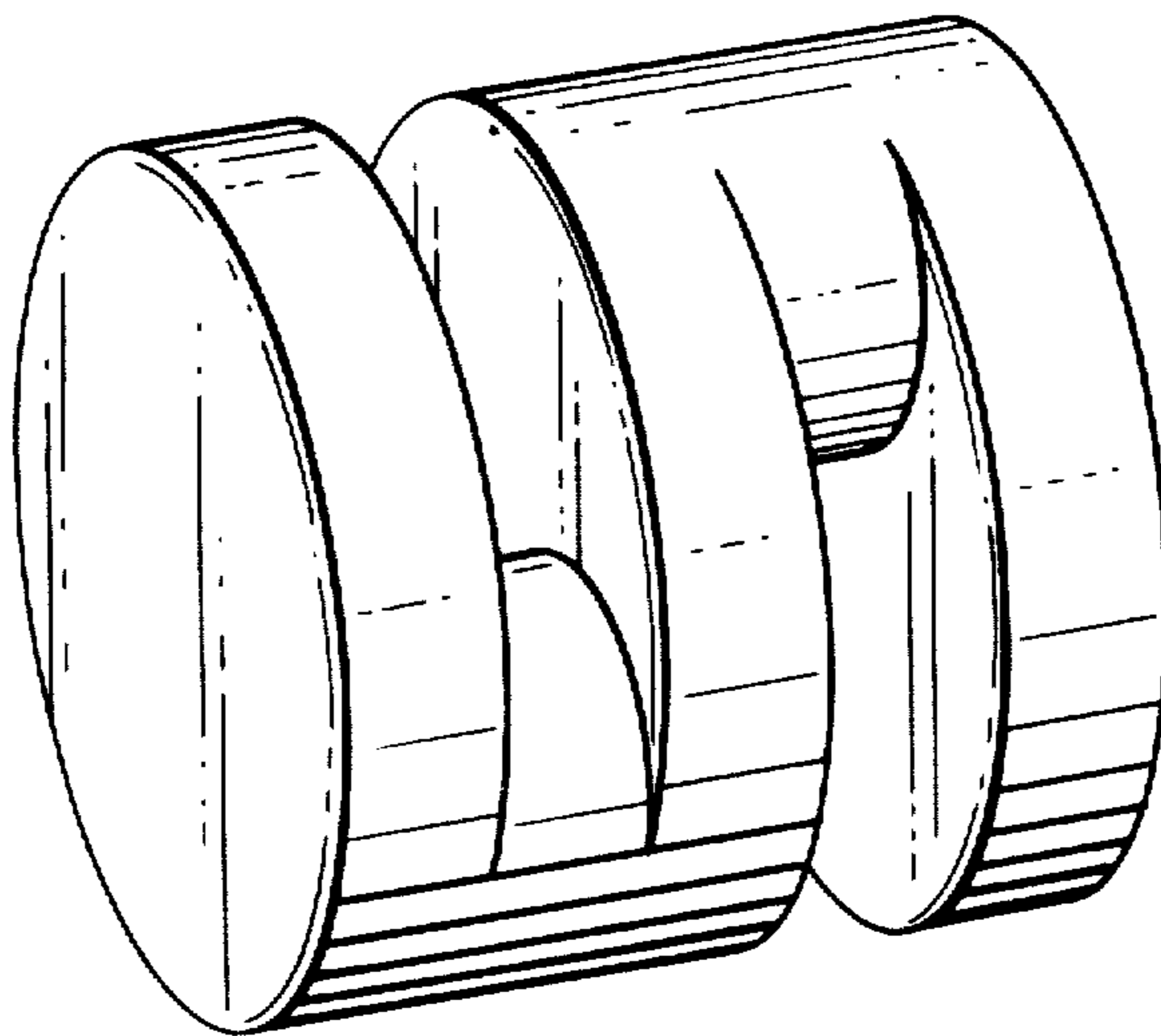
Attorney, Agent, or Firm—Stanley R. Moore; Thomas L. Crisman

[57] CLAIM

The ornamental design for a component hook for apertured boards, substantially as shown.

DESCRIPTION

FIG. 1 is a front side perspective view of the component hook for apertured boards showing our new design;
FIG. 2 is a bottom plan view;
FIG. 3 is an end elevational view taken from the left of FIG. 1;
FIG. 4 is a rear elevational view;
FIG. 5 is an end elevational view taken from the right of FIG. 1;
FIG. 6 is a top plan view.



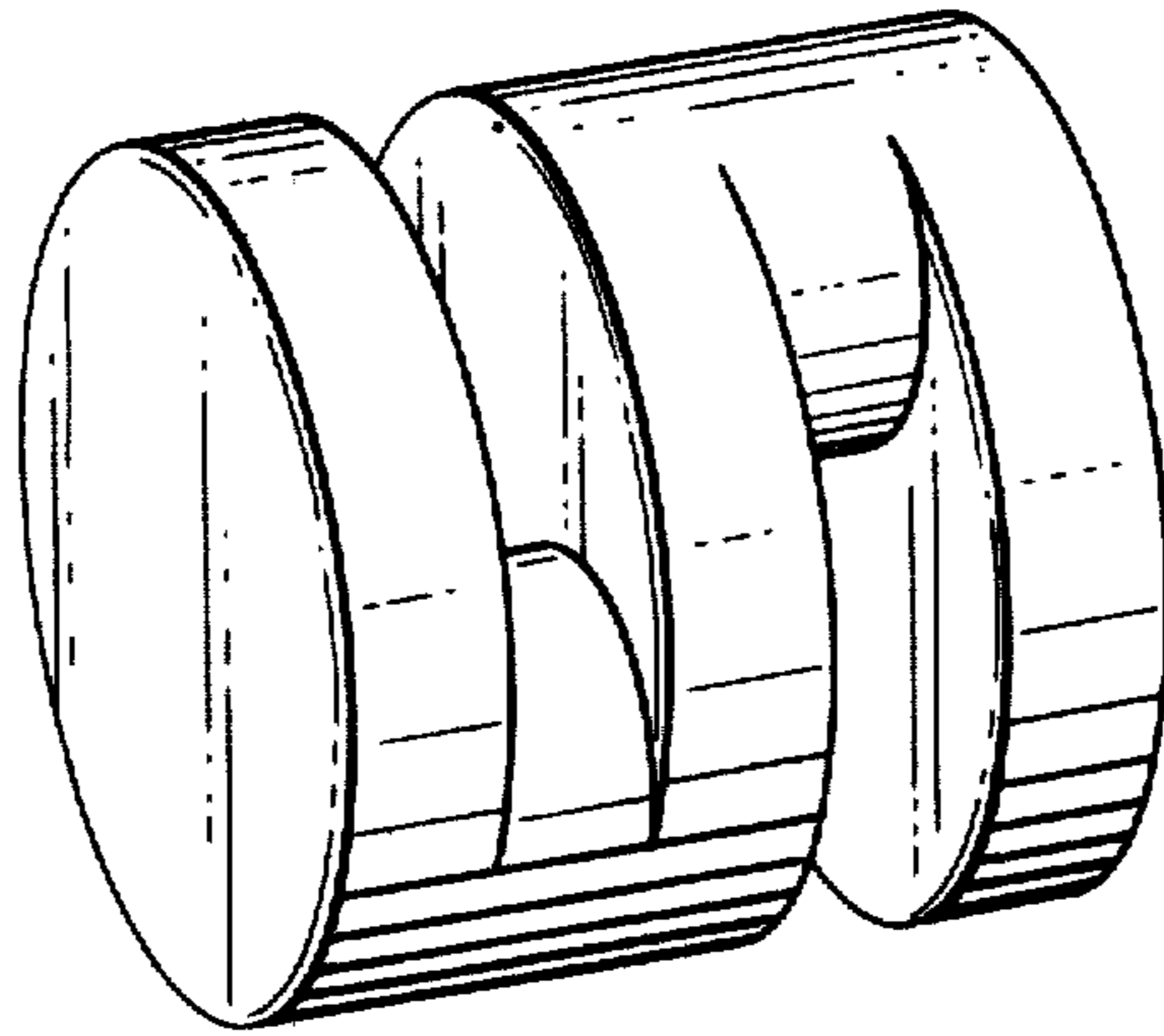


FIG. 1

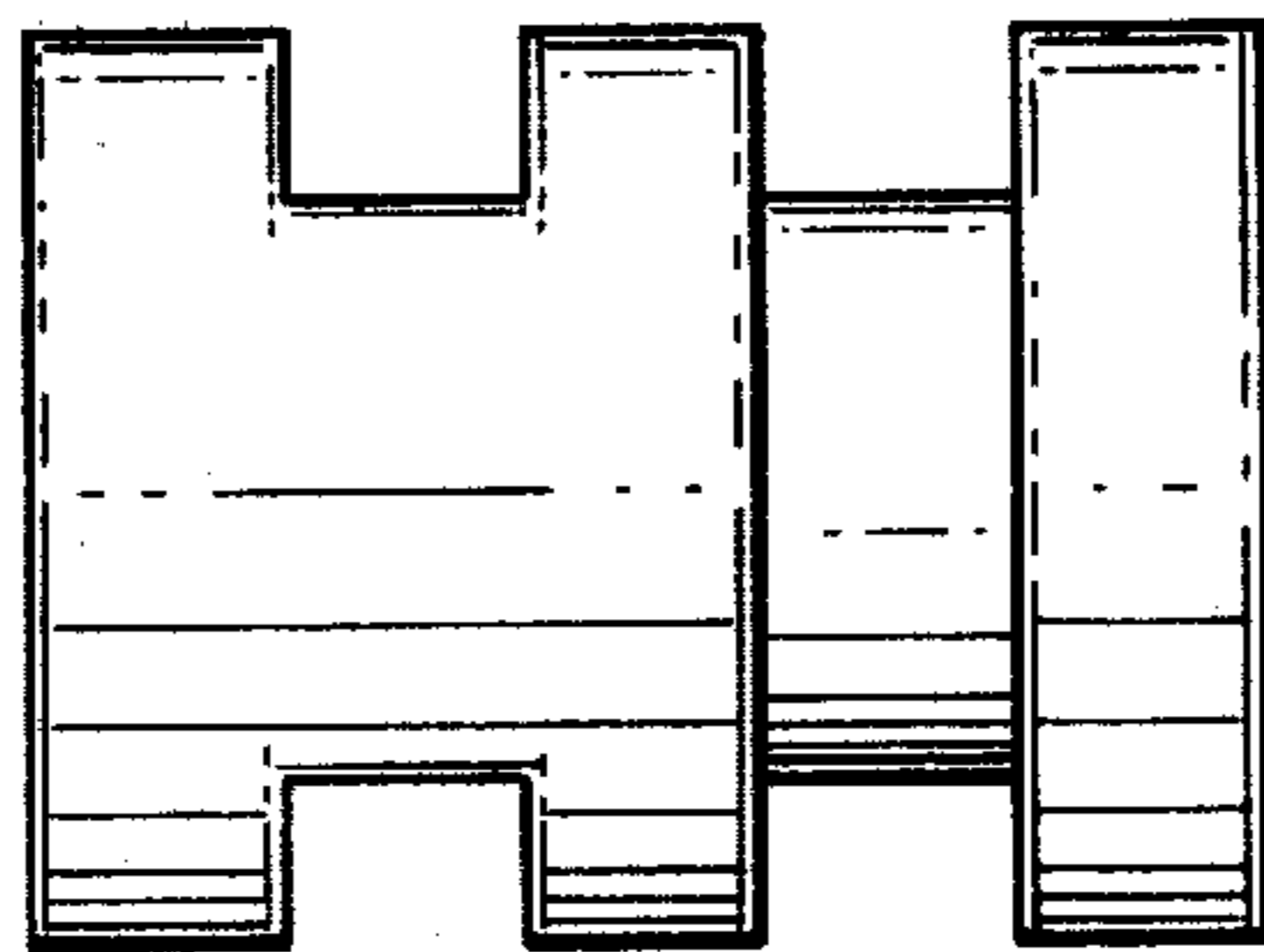


FIG. 2

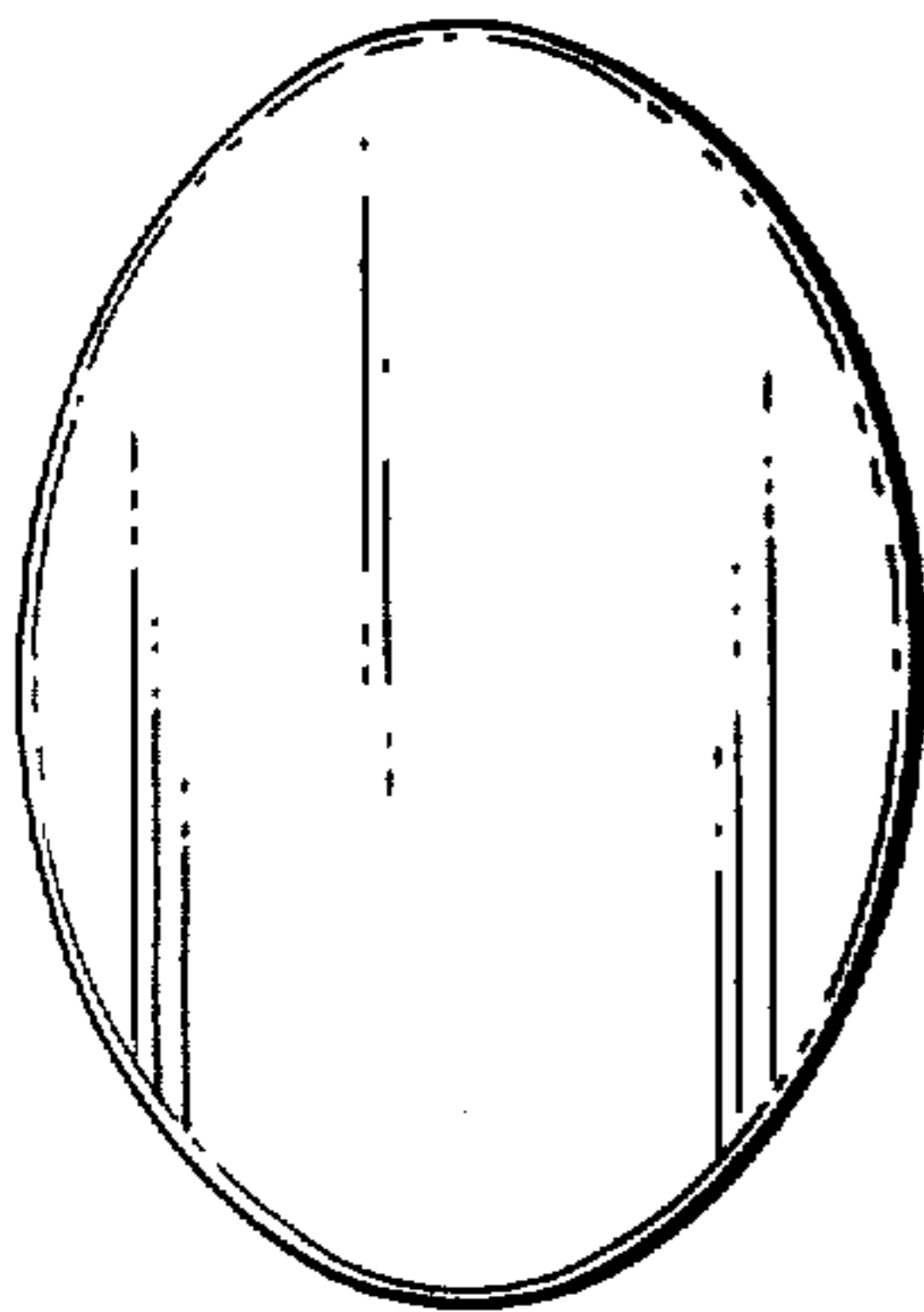


FIG. 3

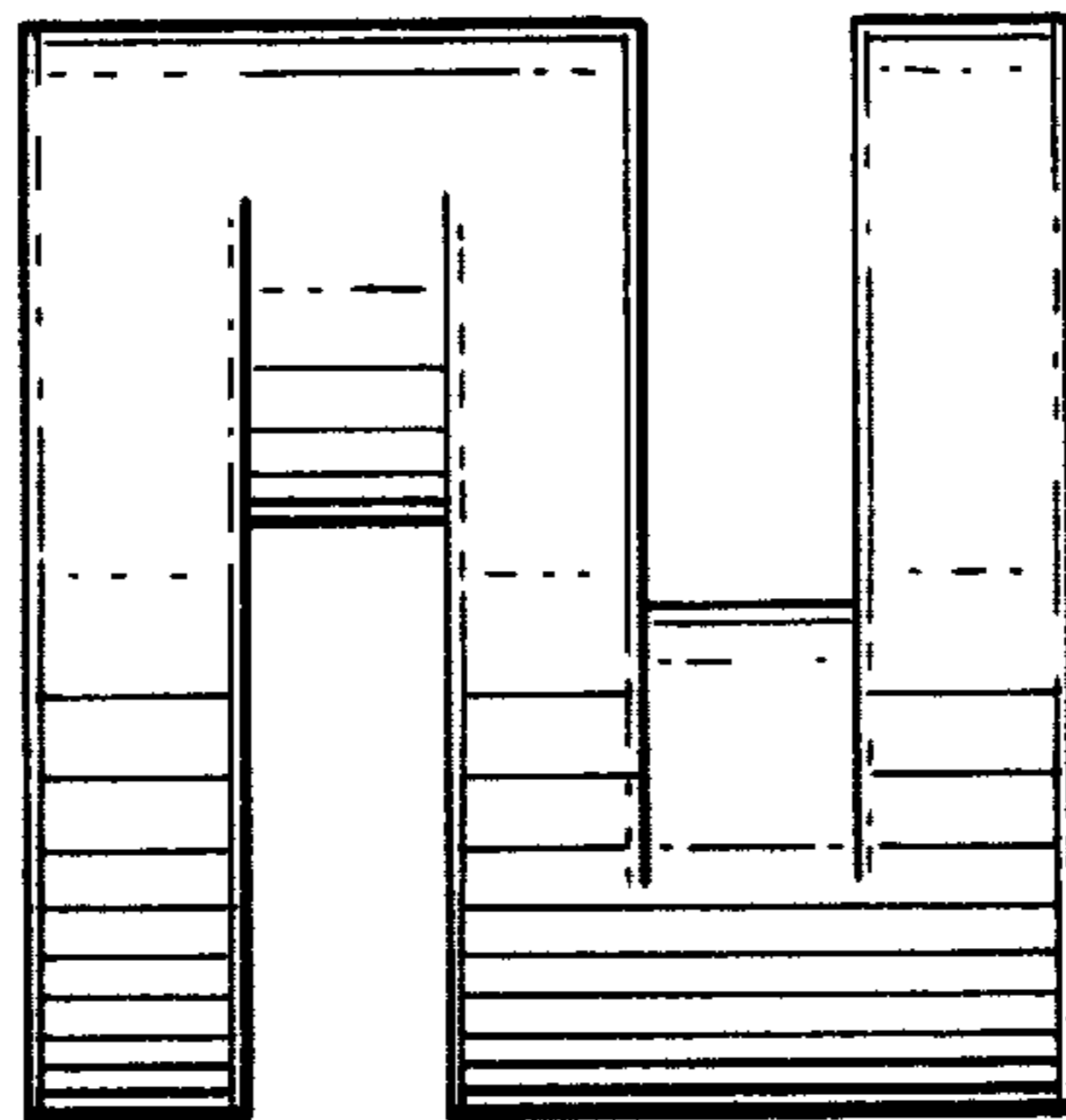


FIG. 4

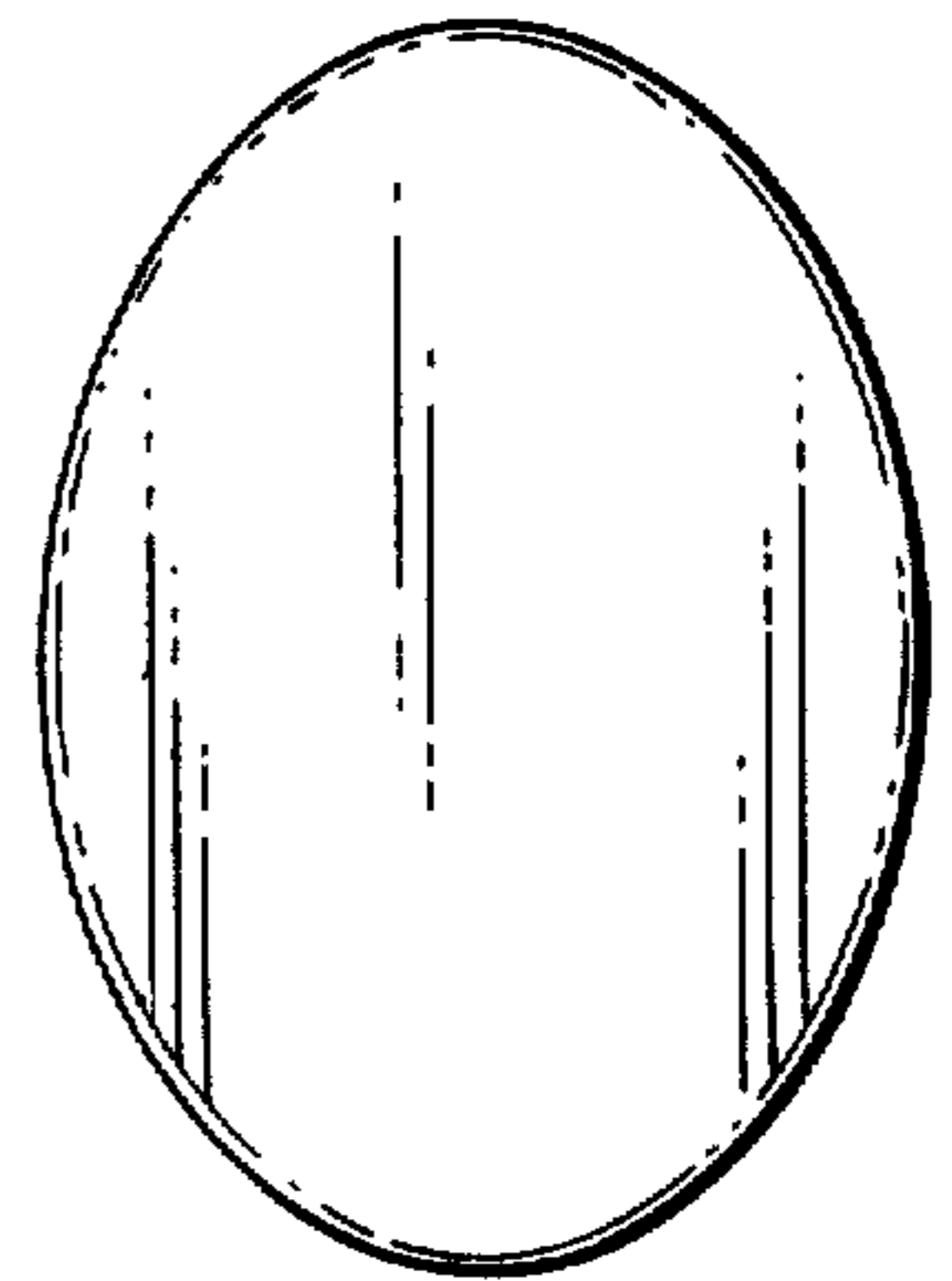


FIG. 5

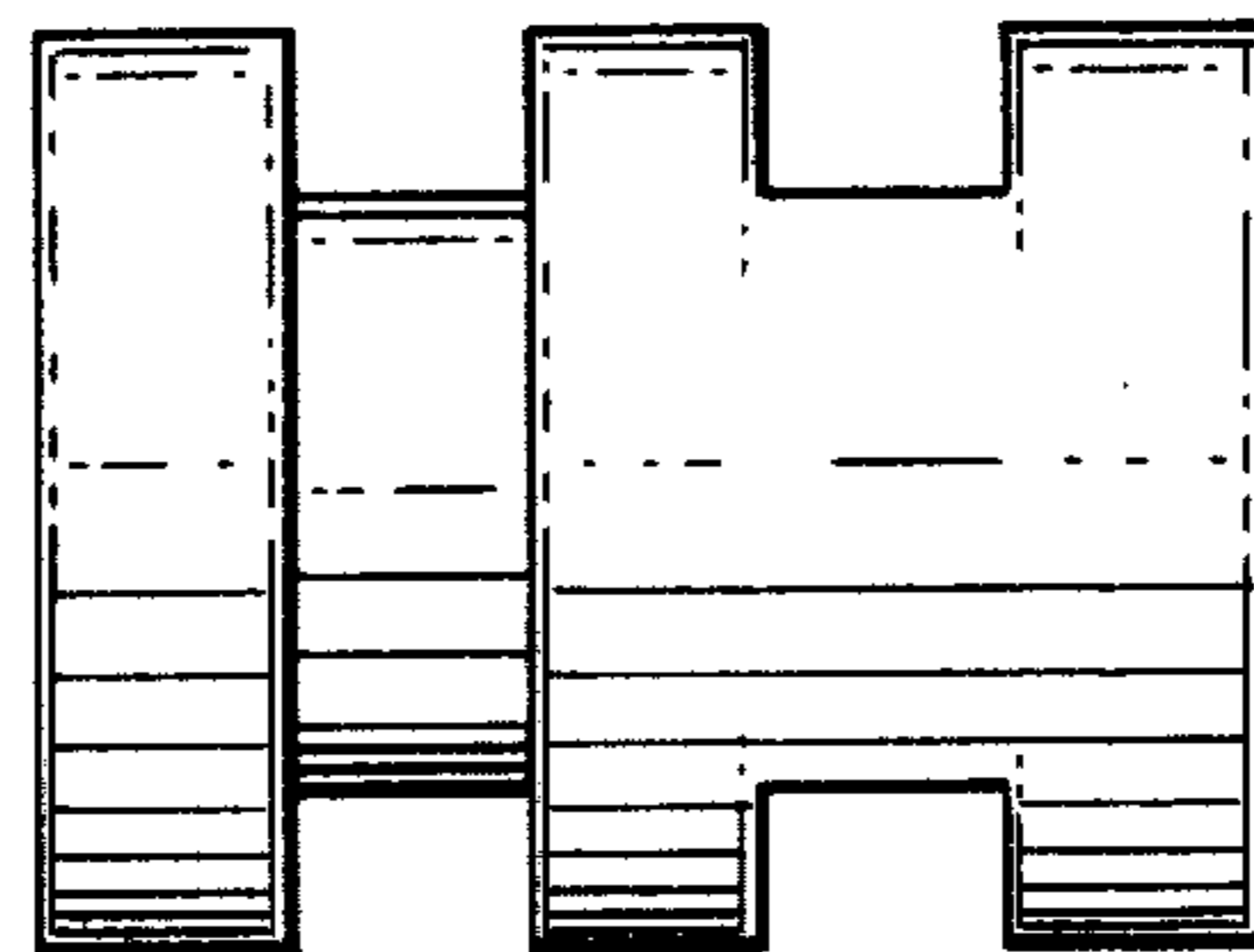


FIG. 6