

[54] ADJUSTABLE ARTICLE CARRYING HARNESS

[76] Inventors: Daniel M. Lyer; Vicky Lyēr, both of P.O. Box 467, Prescott, Ariz. 86302

[**] Term: 14 Years

[21] Appl. No.: 193,343

[22] Filed: Oct. 2, 1980

[51] Int. Cl. D3-02

[52] U.S. Cl. D3/32; D2/27; D3/33

[58] Field of Search D3/31, 32, 33; D2/27, D2/226; 224/202, 257, 259, 908-910

[56] References Cited

U.S. PATENT DOCUMENTS

- D. 106,869 11/1937 Miller D2/27
- D. 248,596 7/1978 Neyman D2/27
- 1,930,378 10/1933 Beagan D2/27
- 2,643,803 6/1953 Bates 224/909

- 3,152,738 10/1964 Worsfold, Jr. 224/259
- 4,033,488 7/1977 Brewer 224/259

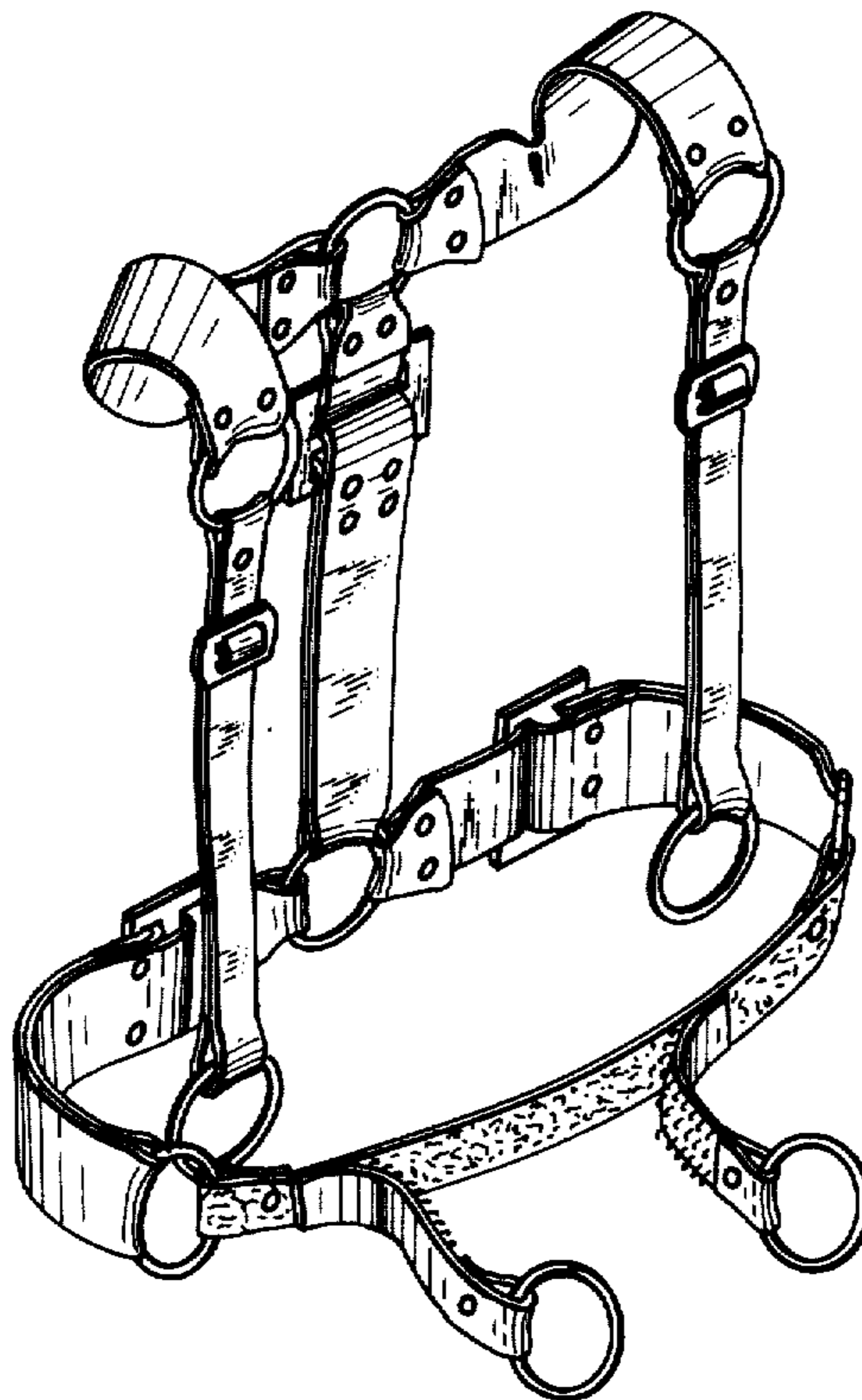
Primary Examiner—George P. Word
Attorney, Agent, or Firm—Frank D. Gilliam

[57] CLAIM

The ornamental design for an adjustable article carrying harness, substantially as shown and described.

DESCRIPTION

FIG. 1 is a front perspective view of an adjustable article carrying harness showing my new design;
 FIG. 2 is a rear elevational view thereof;
 FIG. 3 is a bottom plan view thereof;
 FIG. 4 is a front perspective view of a second embodiment of the adjustable article carrying harness;
 FIG. 5 is a rear elevational view thereof;
 FIG. 6 is a bottom plan view thereof;
 FIG. 7 is a front perspective view of a third embodiment of the adjustable article carrying harness;
 FIG. 8 is a rear elevational view thereof; and
 FIG. 9 is a bottom plan view thereof.



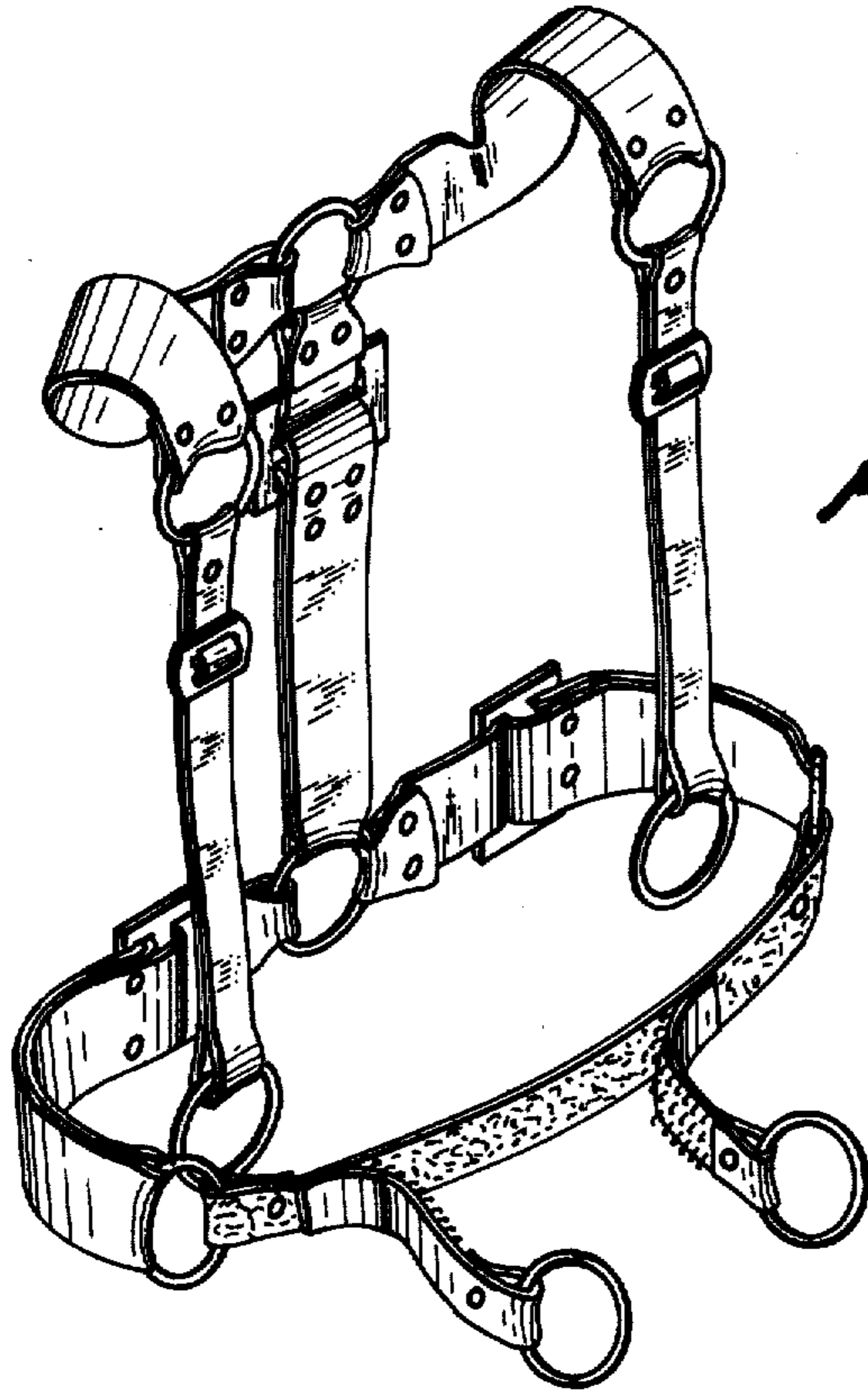


Fig. 1

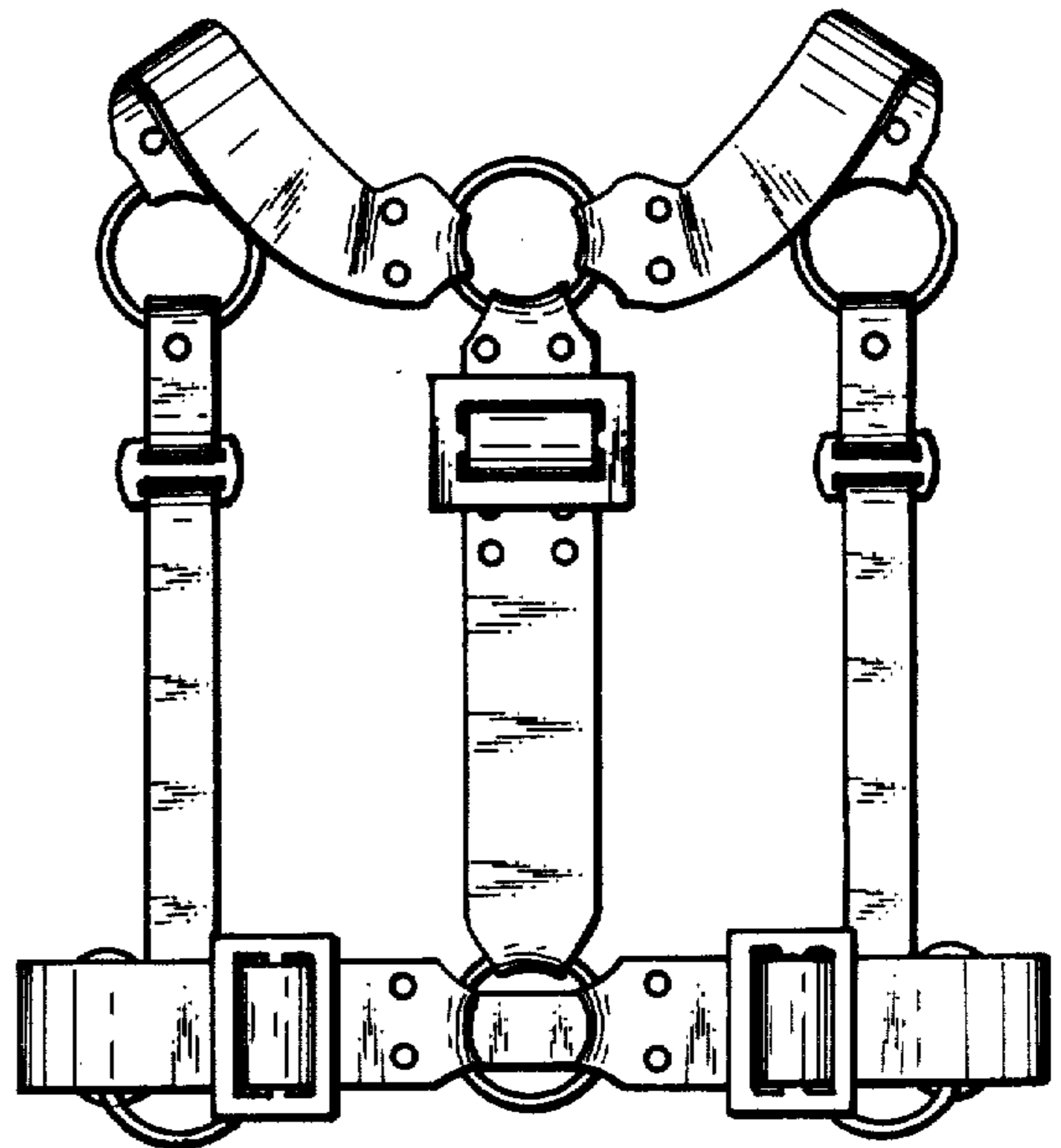


Fig. 2

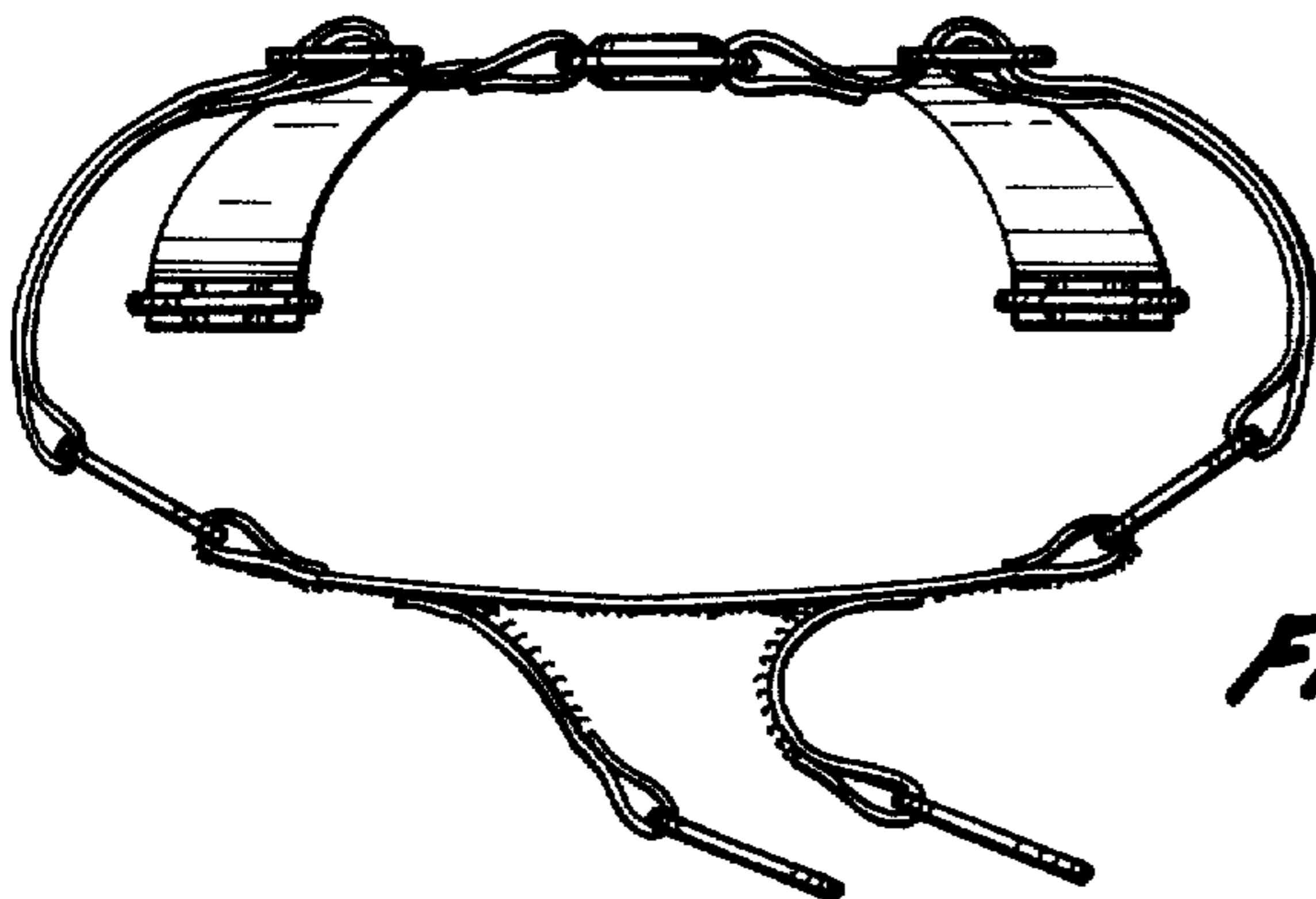


Fig. 3

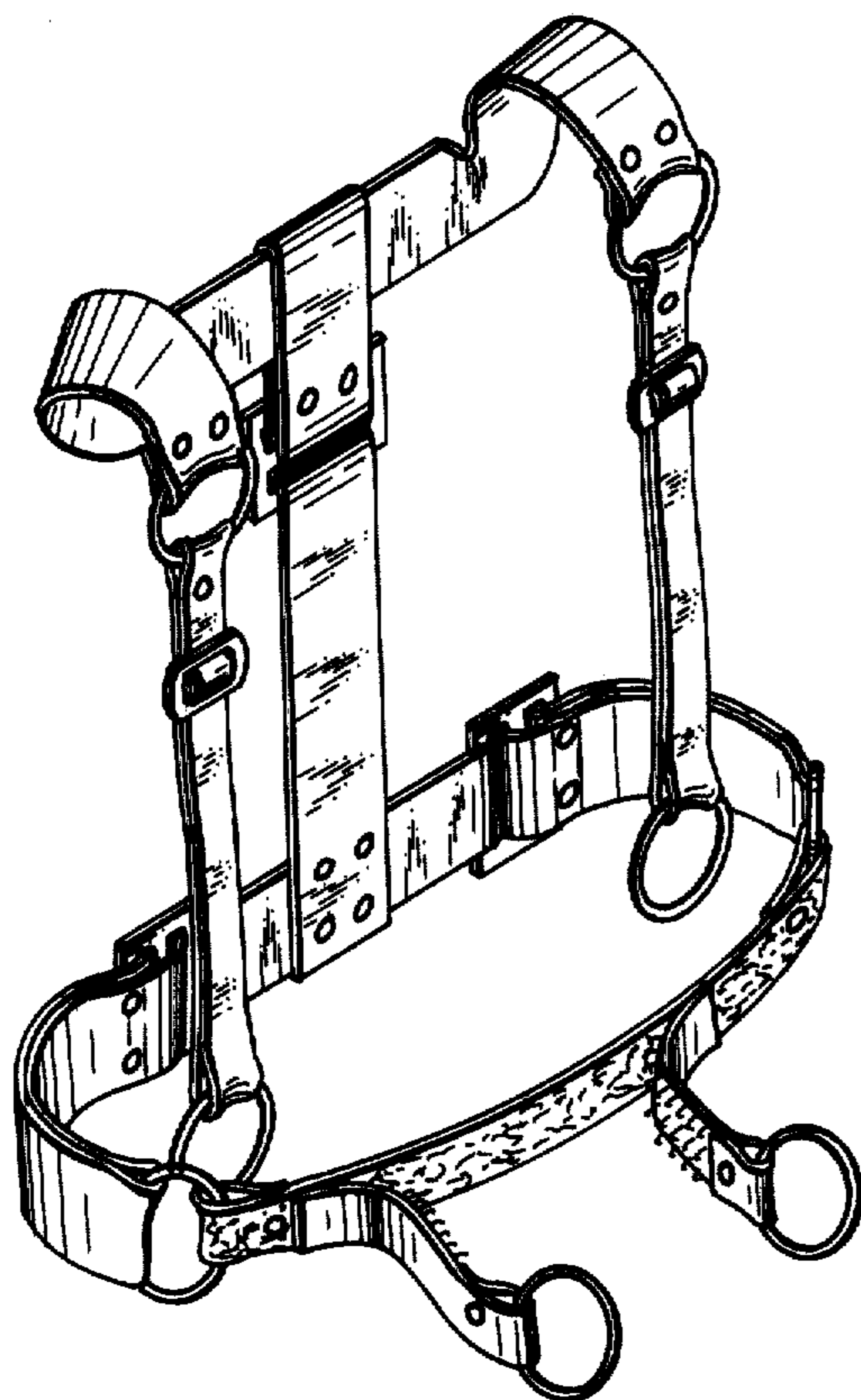


Fig. 4

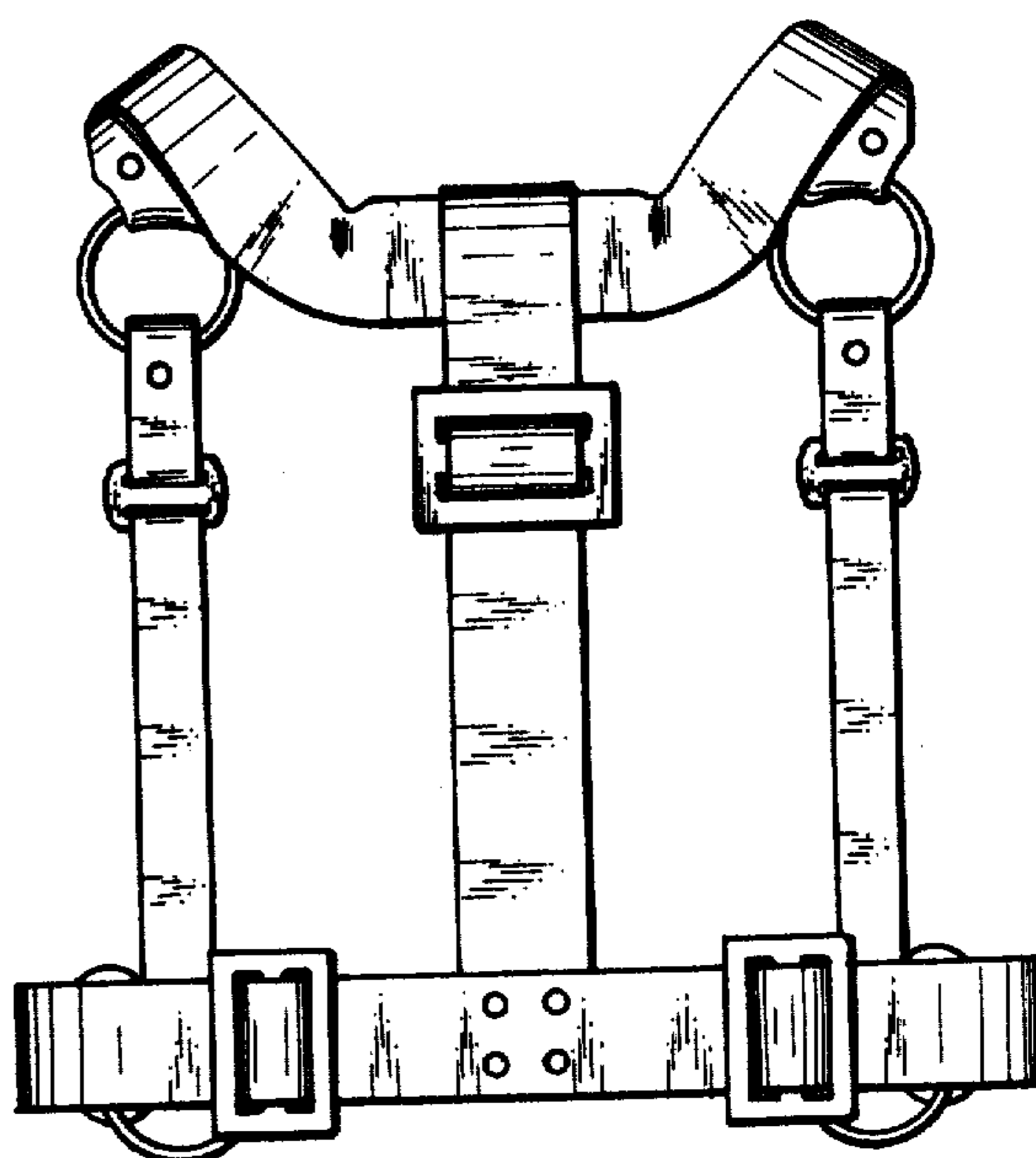


Fig. 5

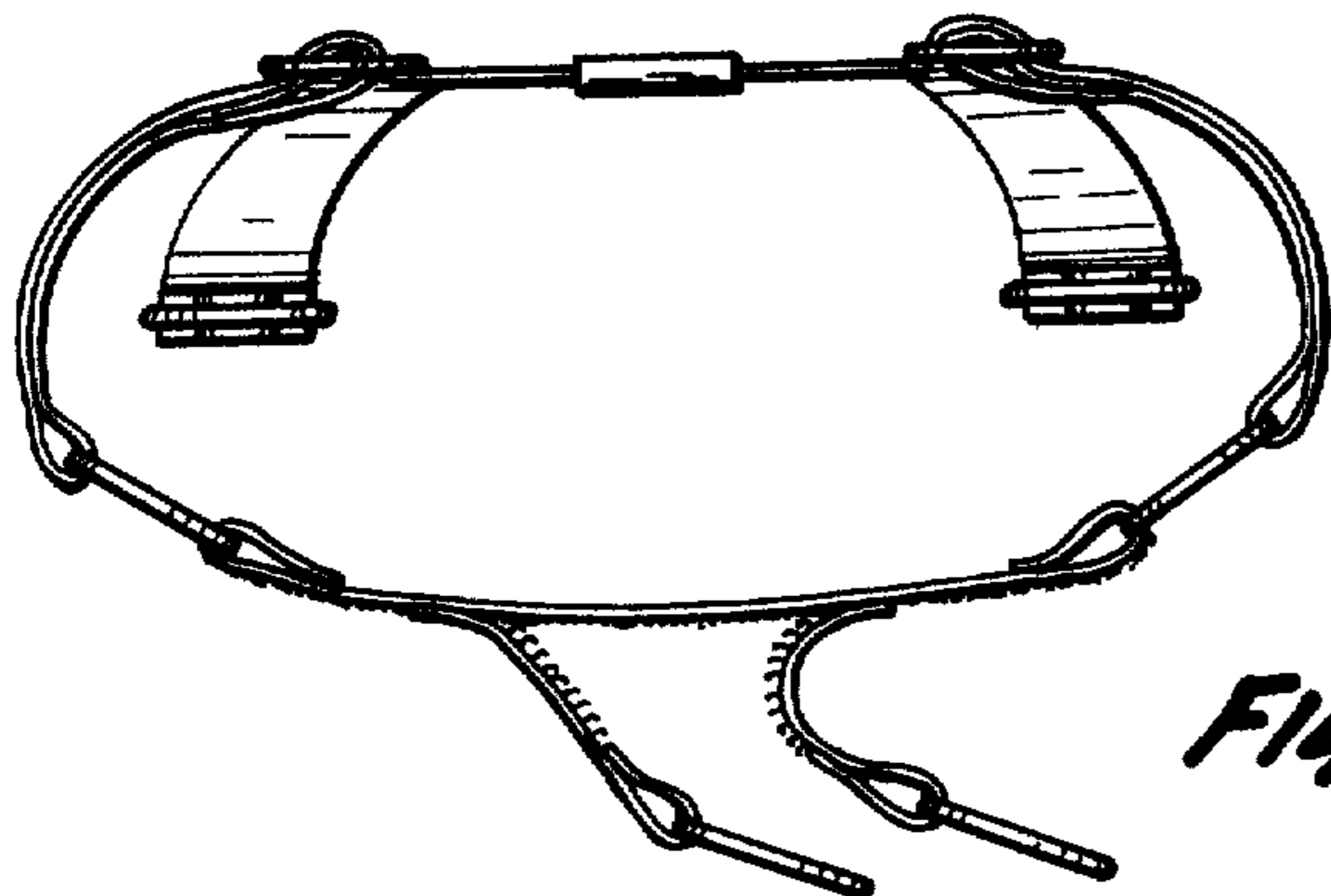


Fig. 6

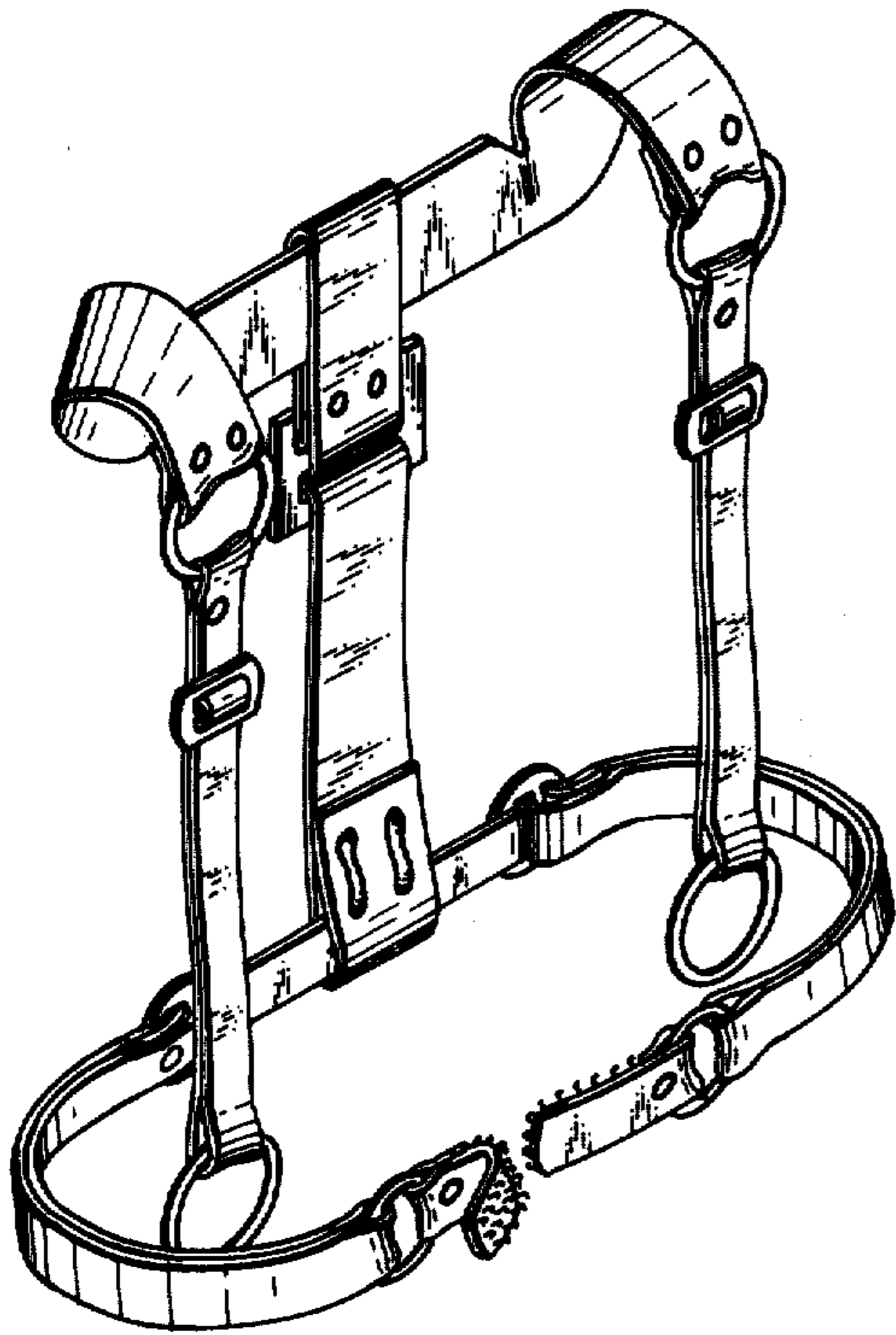


Fig. 7

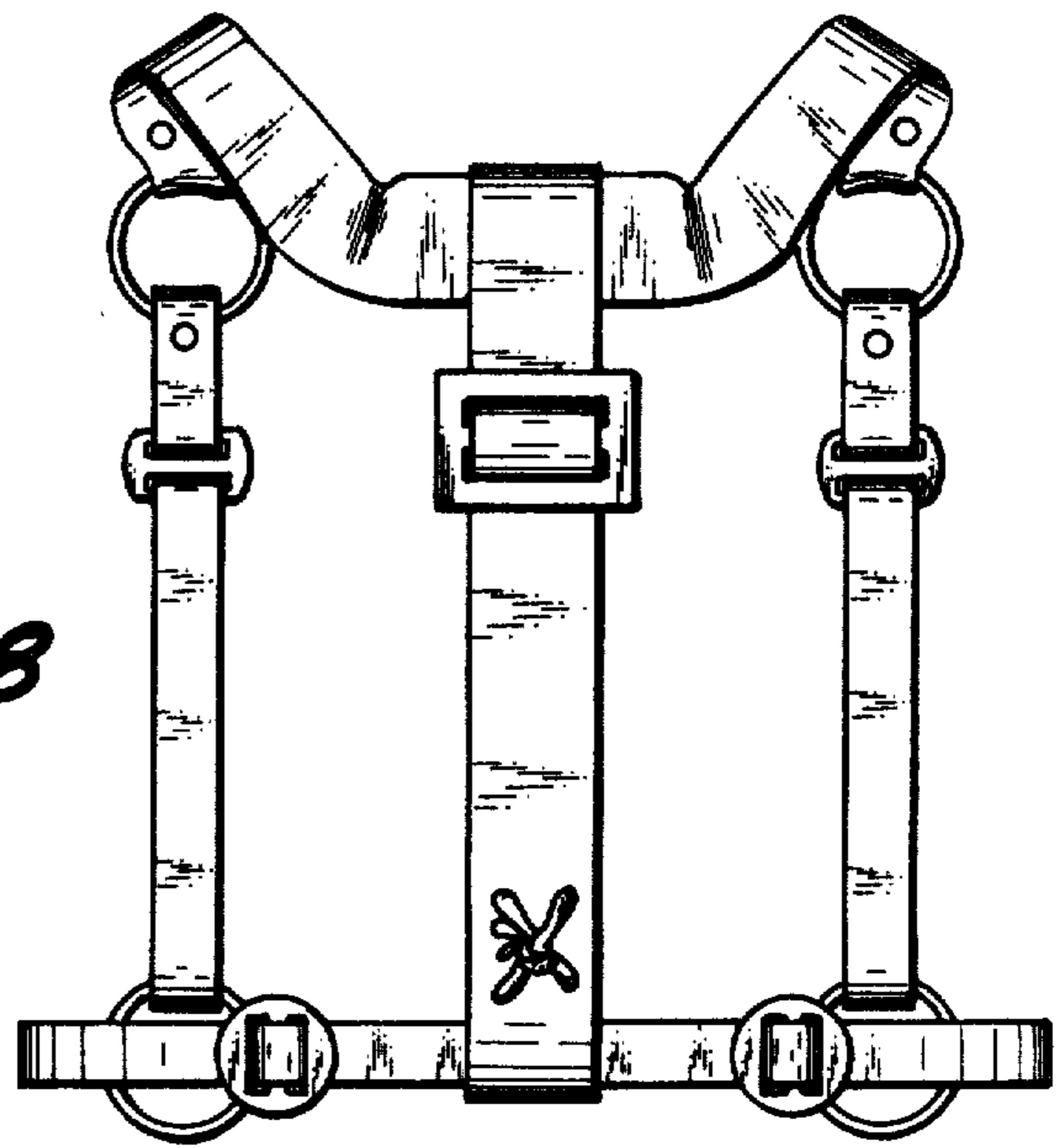


Fig. 8

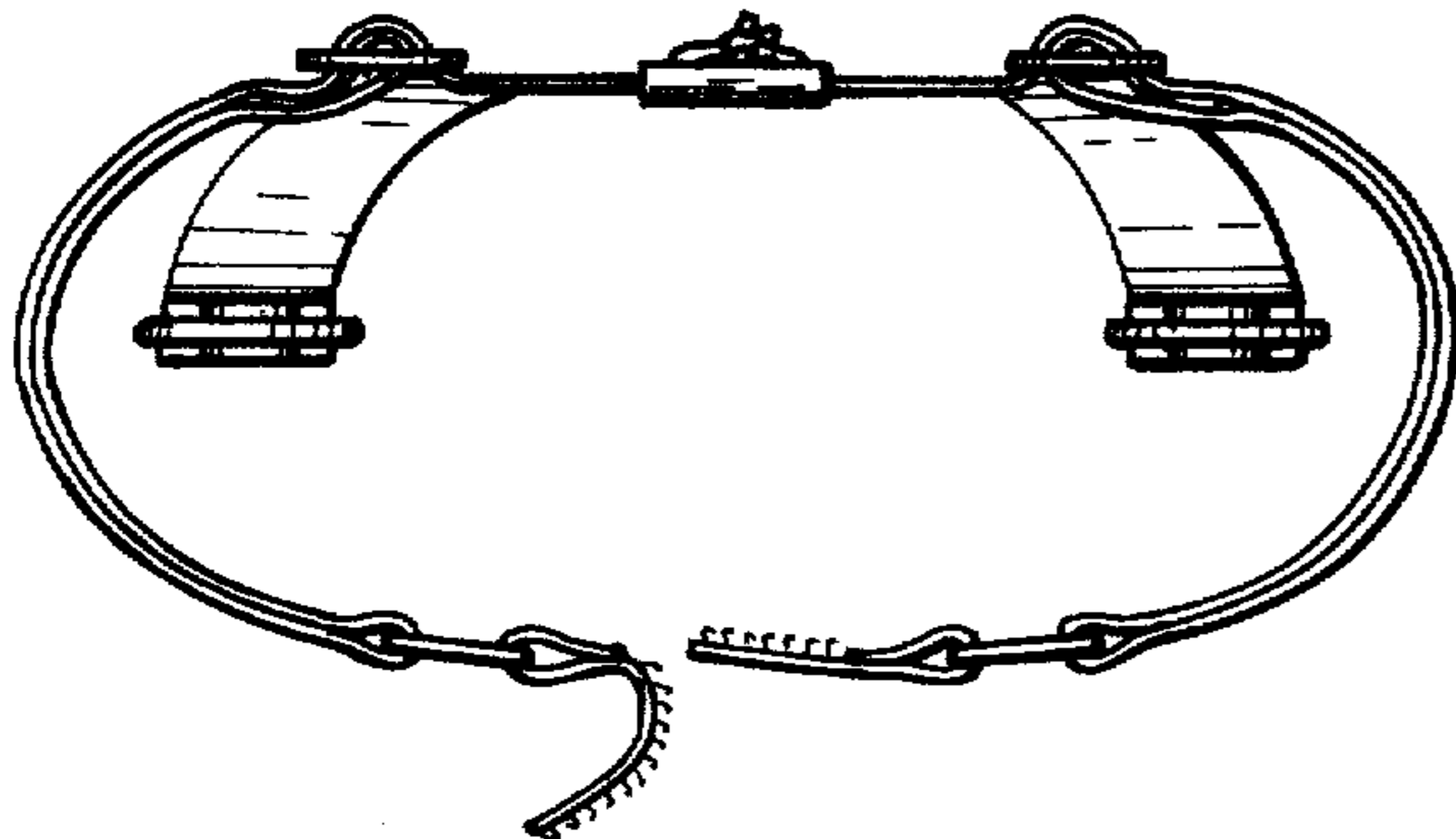


Fig. 9