

[54] BELT WITH CIGARETTE LIGHTER ATTACHMENT

[76] Inventor: Ernest D. Carter, c/o Tralee Hotel, W Hill Rd., Bournemouth, Dorset, England, BH2 5EQ

[**] Term: 14 Years

[21] Appl. No.: 86,757

[22] Filed: Oct. 22, 1979

[30] Foreign Application Priority Data

Apr. 20, 1979 [GB] United Kingdom 989564

[51] Int. Cl. D2-07

[52] U.S. Cl. D2/381; D27/38

[58] Field of Search D2/381, 400, 406, 394; D27/36, 38; 224/163

[56] References Cited

U.S. PATENT DOCUMENTS

D. 166,409 4/1952 Paciello D2/406

OTHER PUBLICATIONS

"Flying Colors", Braniff International Travel Magazine, Jan. 1976, p. 42.

Primary Examiner—Lester L. Lee
Attorney, Agent, or Firm—Robert Scobey

[57] CLAIM

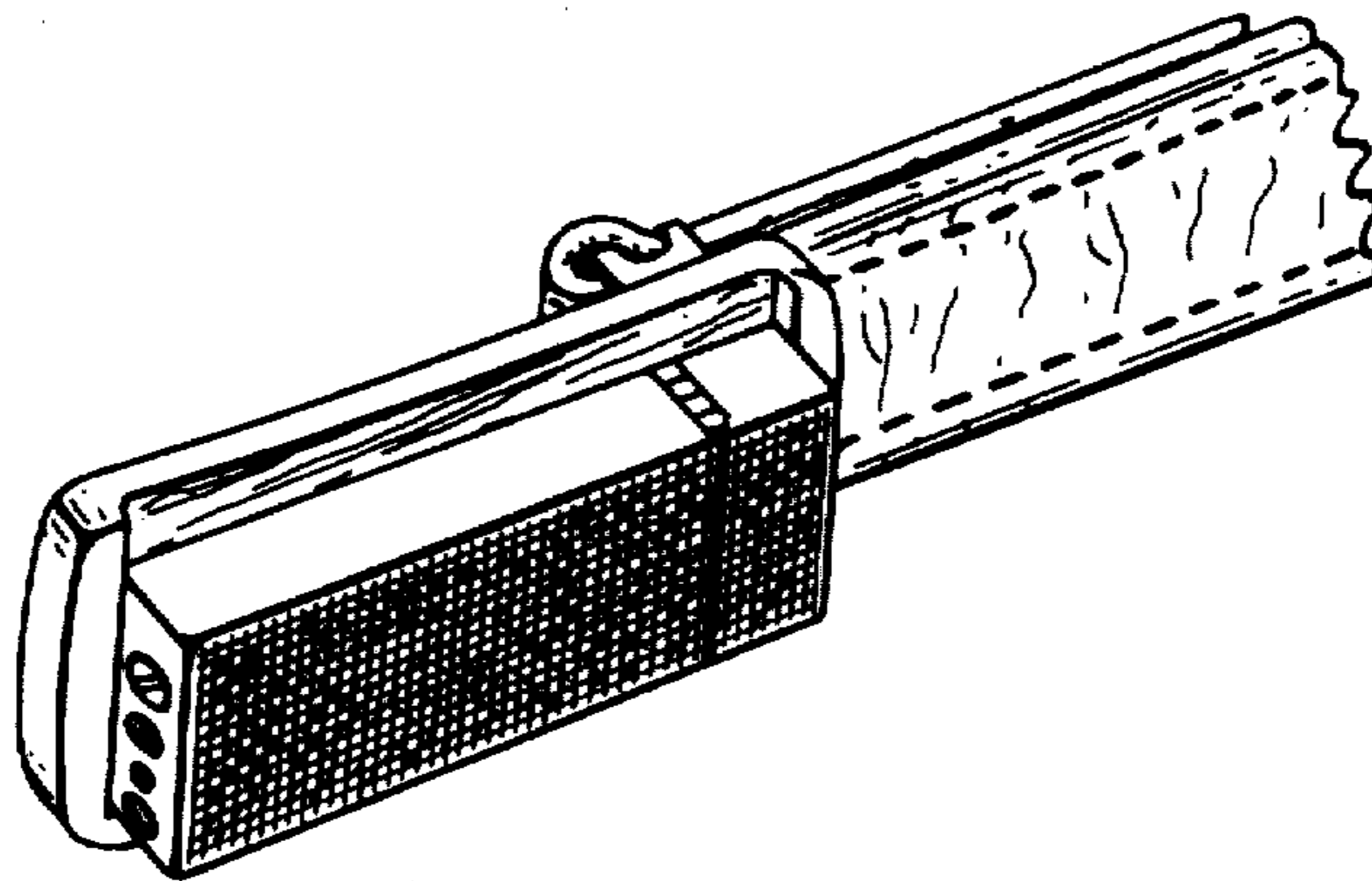
The ornamental design for a belt with cigarette lighter attachment, substantially as shown.

DESCRIPTION

FIG. 1 is a front elevational view of a belt with cigarette lighter attachment, showing my new design.

FIG. 2 is an enlarged fragmentary perspective view showing the buckle and lighter attachment from the front, above and one end; and

FIG. 3 is an enlarged fragmentary perspective view showing the buckle from the rear, below and opposite end.



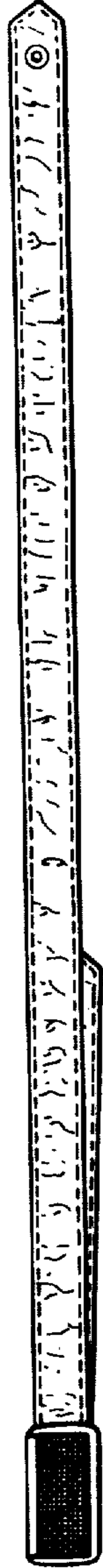


FIG. 1

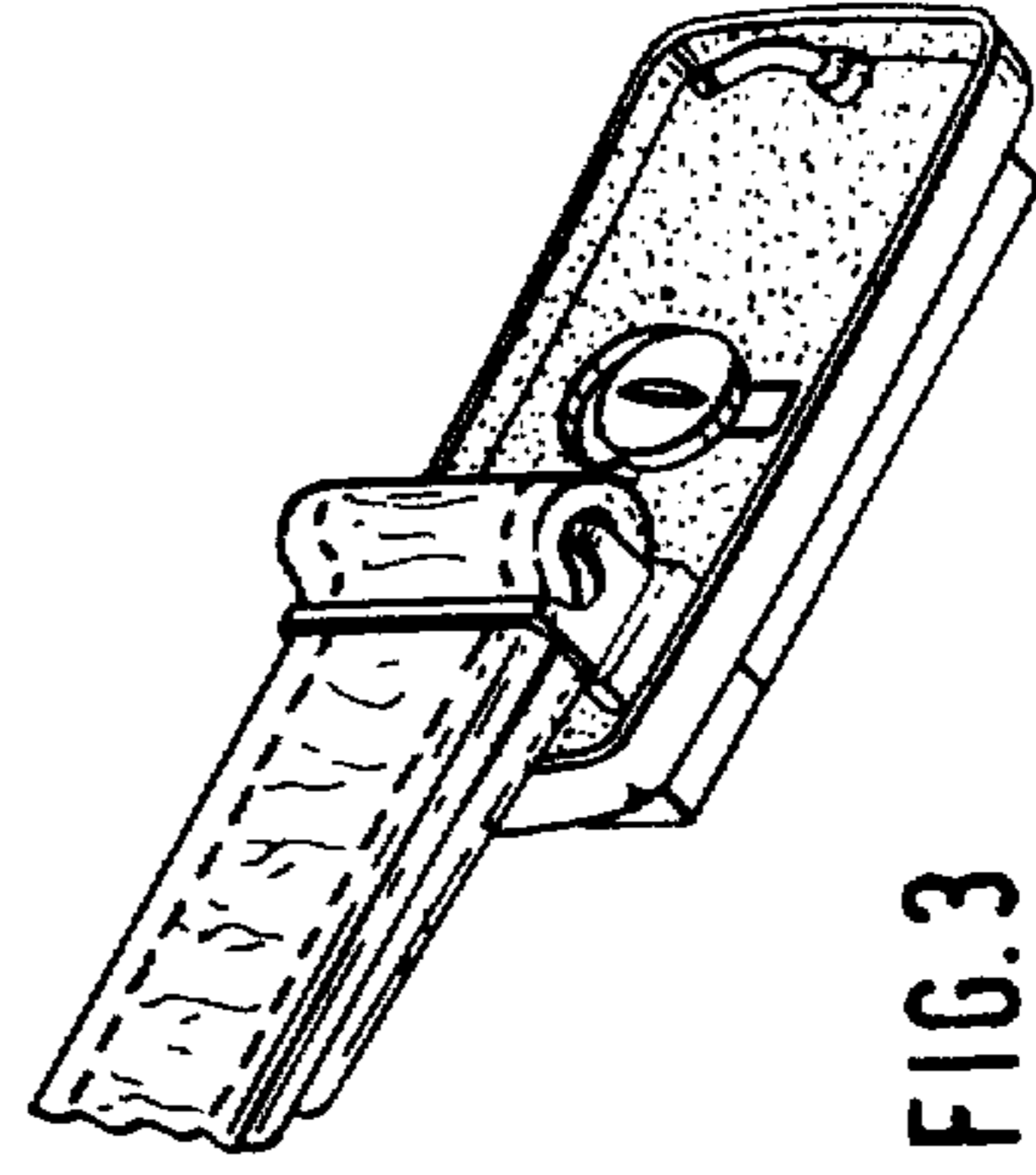


FIG. 3

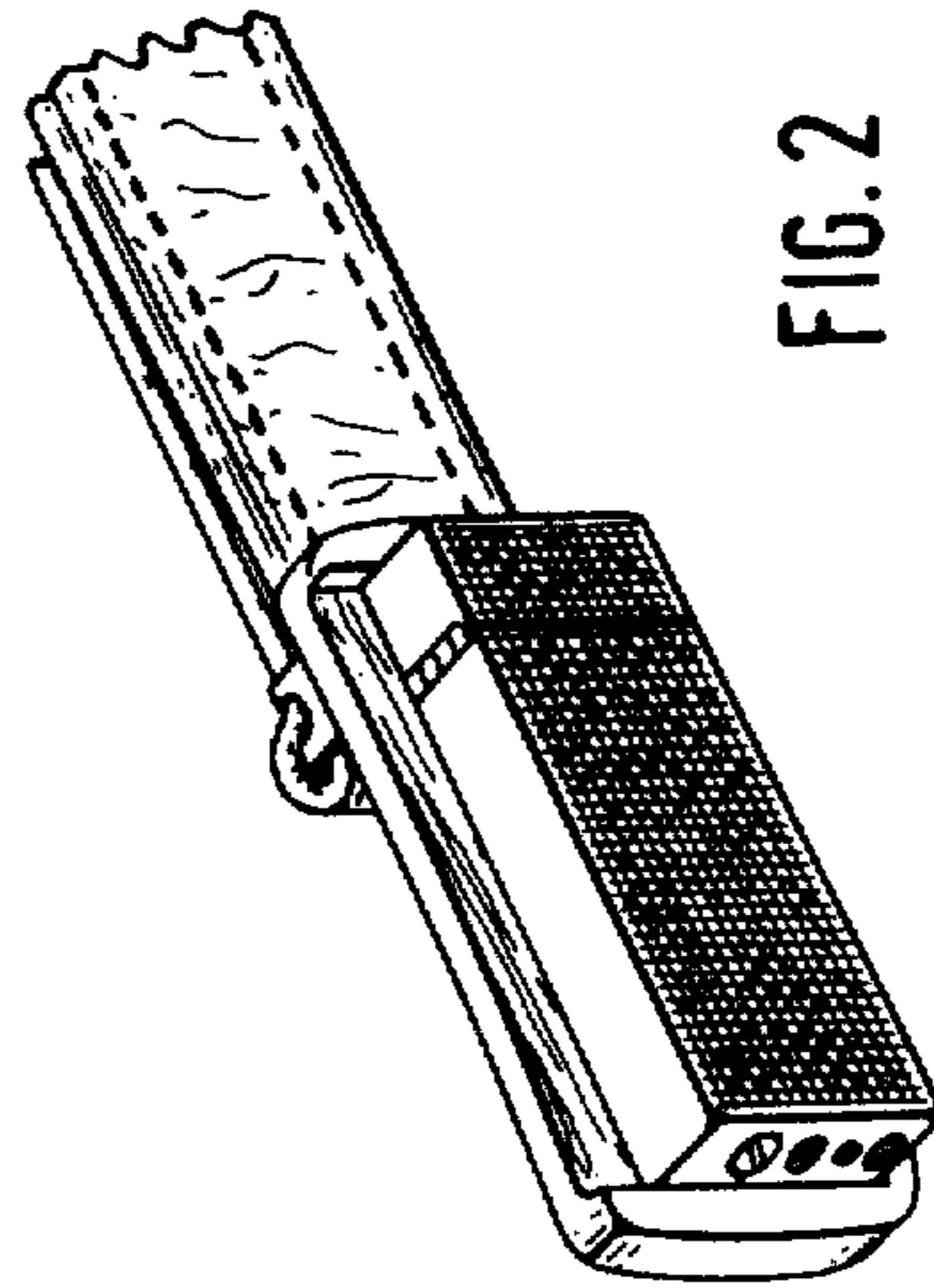


FIG. 2