

[54] **WHEELED LEVER**

[75] **Inventor:** Billy G. Hauser, Winston-Salem, N.C.

[73] **Assignee:** Poland Manufacturing Corporation, Winston-Salem, N.C.

[**] **Term:** 14 Years

[21] **Appl. No.:** 176,491

[22] **Filed:** Aug. 8, 1980

[51] **Int. Cl.** D12-05; D8-05

[52] **U.S. Cl.** D34/34; D8/88

[58] **Field of Search** D8/88; D34/28, 34; D21/81; 248/188.5, 188.2

[56] **References Cited**

U.S. PATENT DOCUMENTS

2,413,530	12/1946	Taylog	D21/81
2,913,207	11/1959	Eash	248/188.2
4,117,999	10/1978	Gessler	248/188.2

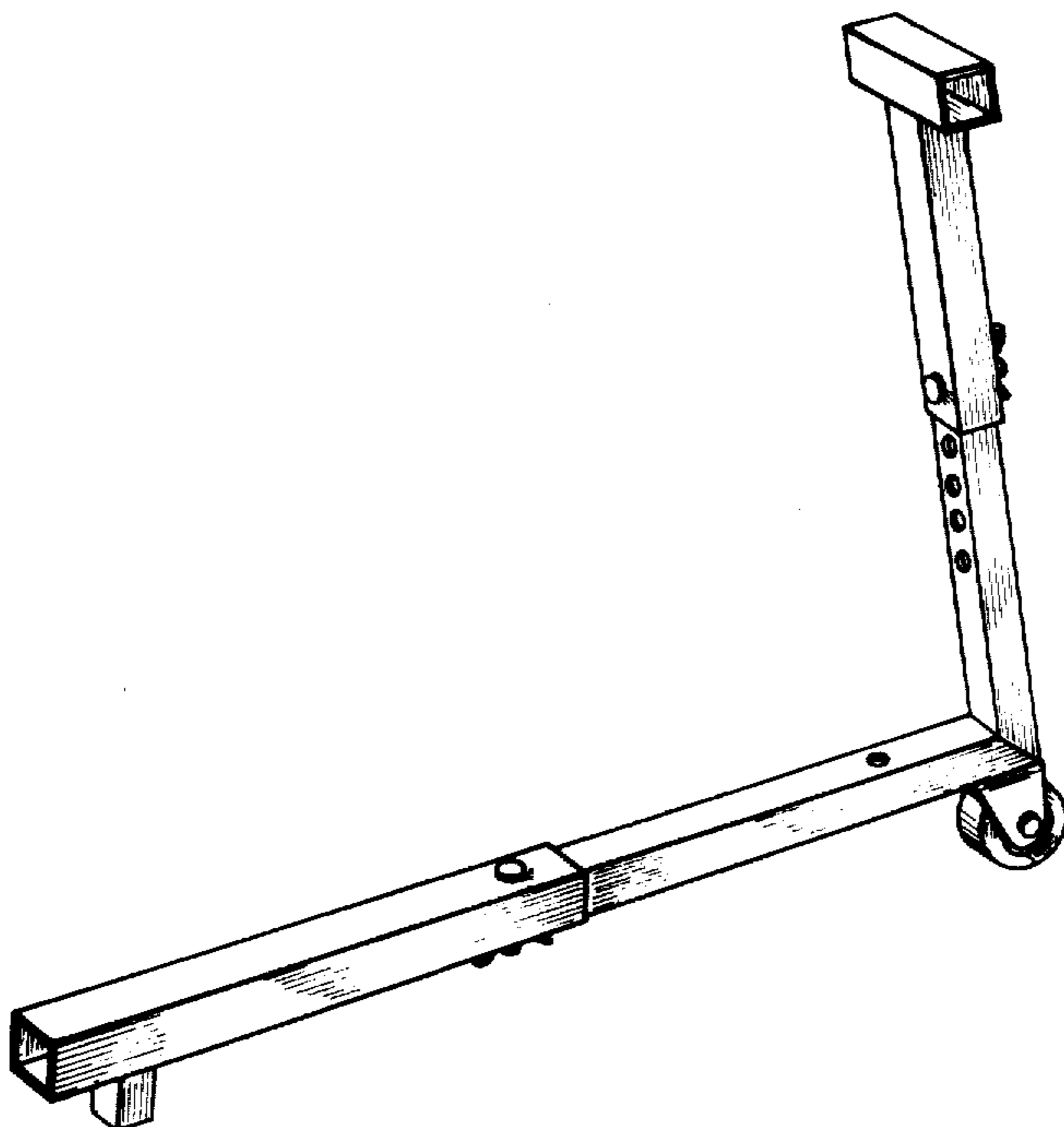
Primary Examiner—James M. Gandy

[57] **CLAIM**

The ornamental design for a wheeled lever, as shown and described.

DESCRIPTION

FIG. 1 is a perspective view of a wheeled lever embodying my design illustrated in the extended form; FIG. 2 is a side elevational view of FIG. 1; FIG. 3 is a right side elevational view of FIG. 2; FIG. 4 is a left side elevational view of FIG. 2; FIG. 5 is a top plan view of FIG. 2; and FIG. 6 is a bottom plan view of FIG. 2.



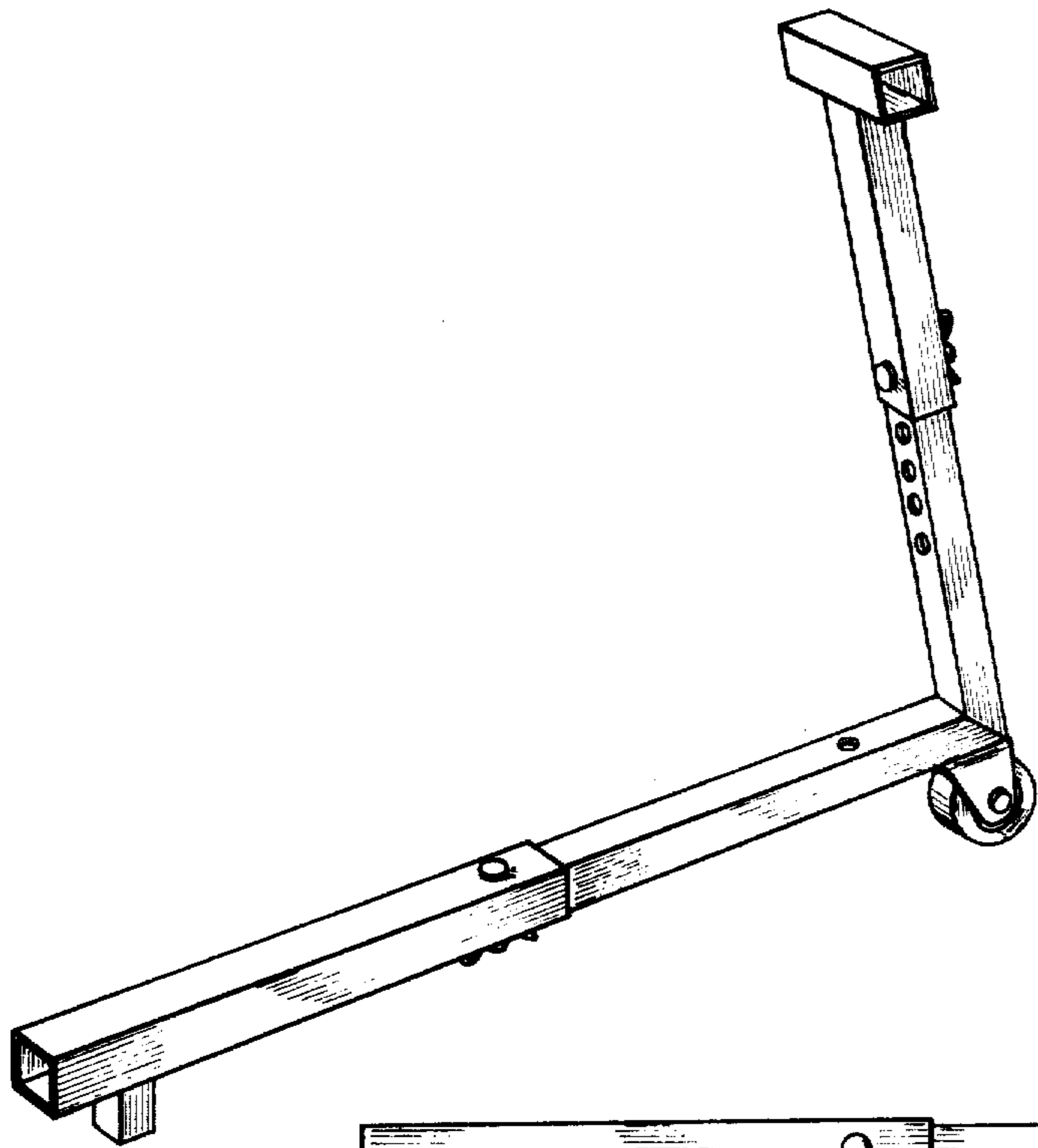


FIG. 1

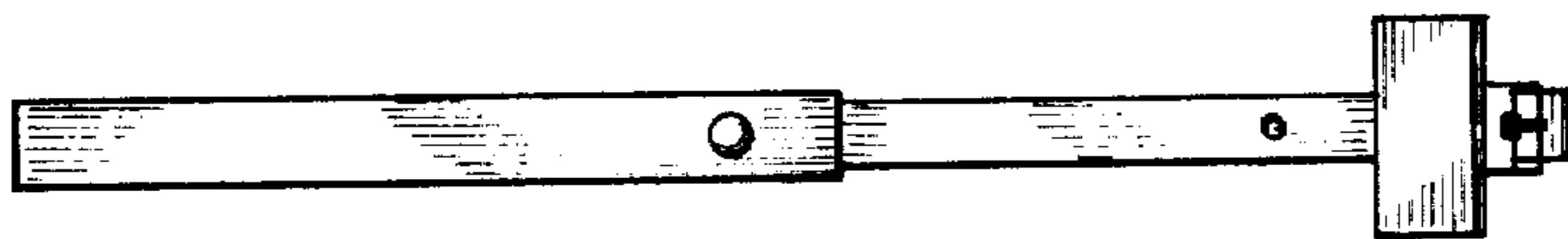


FIG. 5

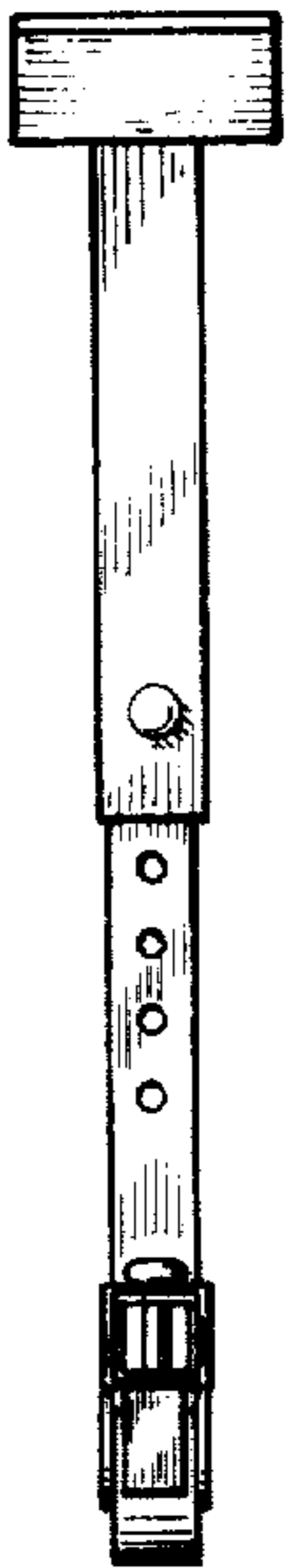


FIG. 4

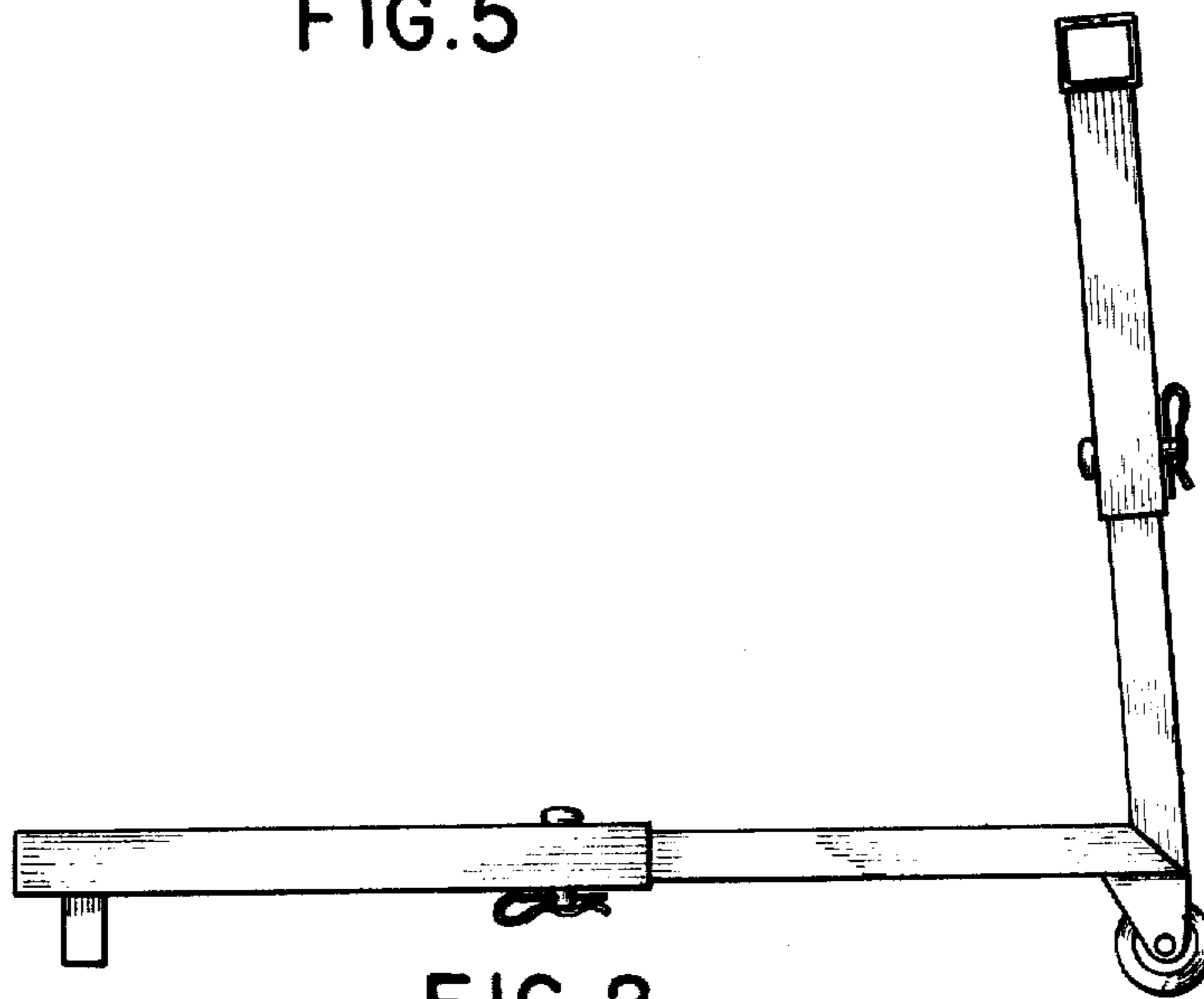


FIG. 2

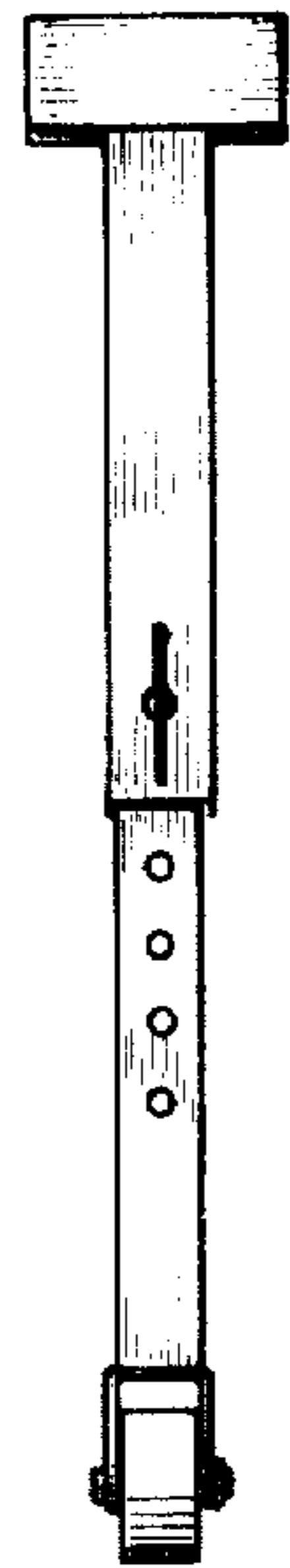


FIG. 3

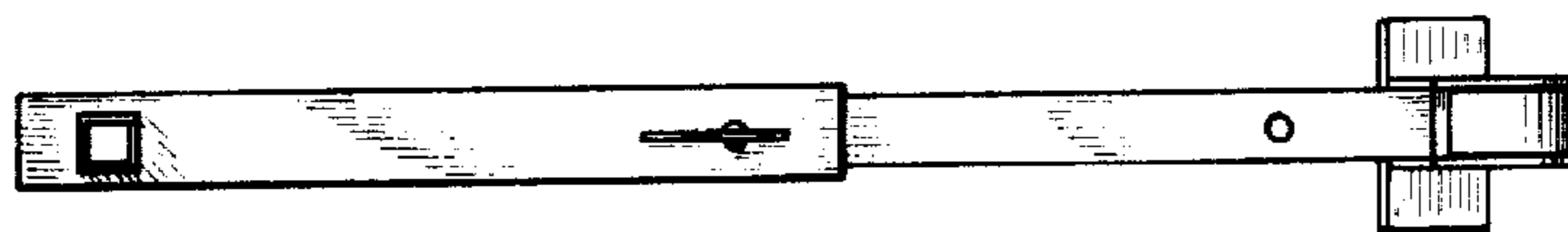


FIG. 6