

[54] CART FOR BANK CHECK TRANSFER TRAYS

[75] Inventors: Elmer E. Ogg, Jr.; George F. Brun, Jr., both of Dayton; William E. Wells, West Alexandria, all of Ohio

[73] Assignee: Systems Unlimited, Inc., Dayton, Ohio

[\*\*] Term: 14 Years

[21] Appl. No.: 152,380

[22] Filed: May 22, 1980

[51] Int. Cl. ..... D12-02  
[52] U.S. Cl. ..... D34/22  
[58] Field of Search ..... D34/22, 21; D6/188, D6/189; 280/47.35; 312/183, 250; 211/126, 45

[56] References Cited

U.S. PATENT DOCUMENTS

D. 245,594 8/1977 Graham et al. .... D34/22

FOREIGN PATENT DOCUMENTS

2312075 9/1974 Fed. Rep. of Germany ... 312/250 R

Primary Examiner—James M. Gandy

Attorney, Agent, or Firm—Jacox & Meckstroth

[57] CLAIM

The ornamental design for a cart for bank check transfer trays, substantially as shown and described.

DESCRIPTION

FIG. 1 is a perspective view of a cart for bank check transfer trays showing our new design.

FIG. 2 is a front elevational view thereof.

FIG. 3 is a rear elevational view thereof.

FIG. 4 is a top plan view thereof.

FIG. 5 is an end elevational view thereof taken from the left end of FIG. 4.

FIG. 6 is an end elevational view thereof taken from the right end of FIG. 4.

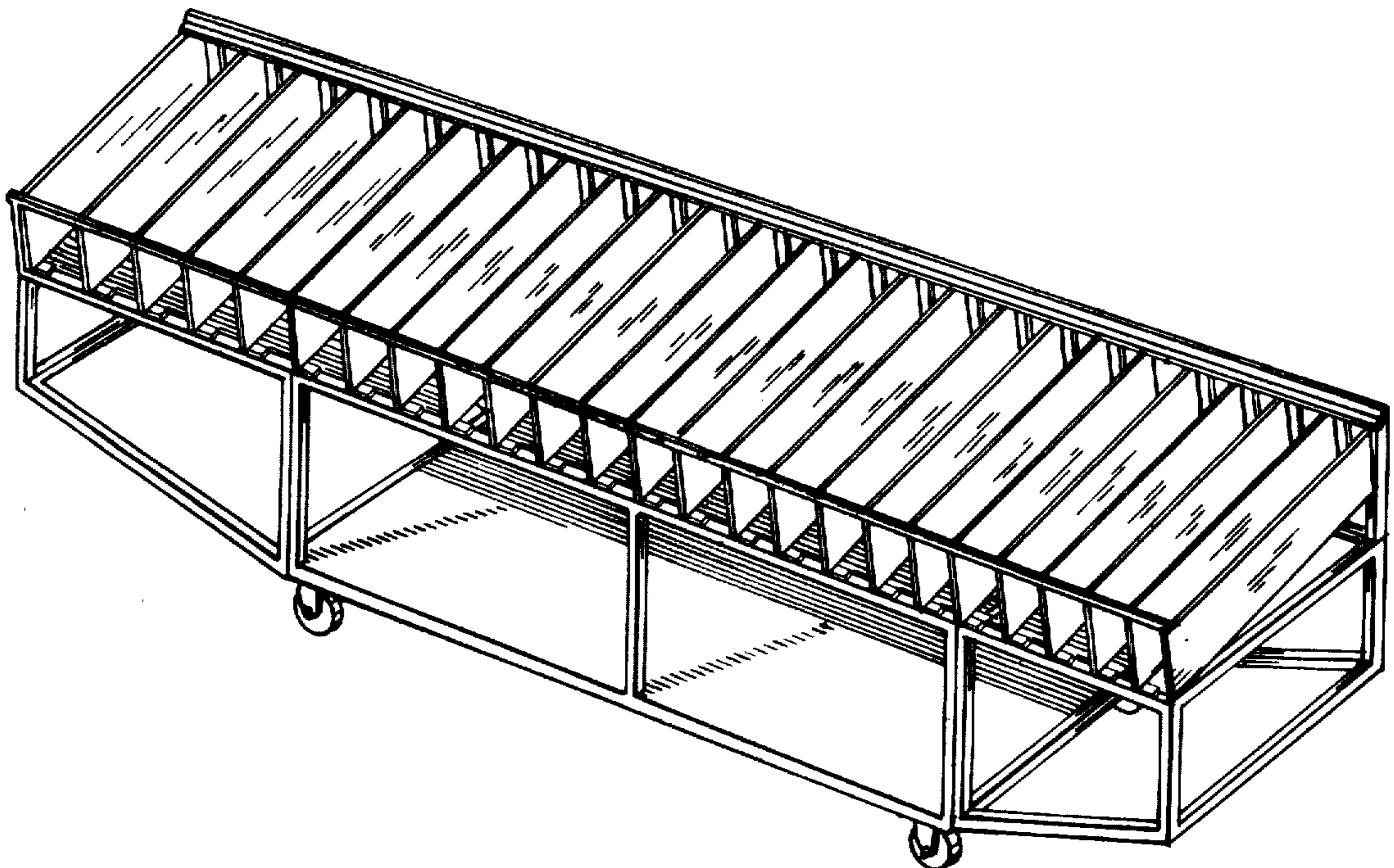


FIG-1

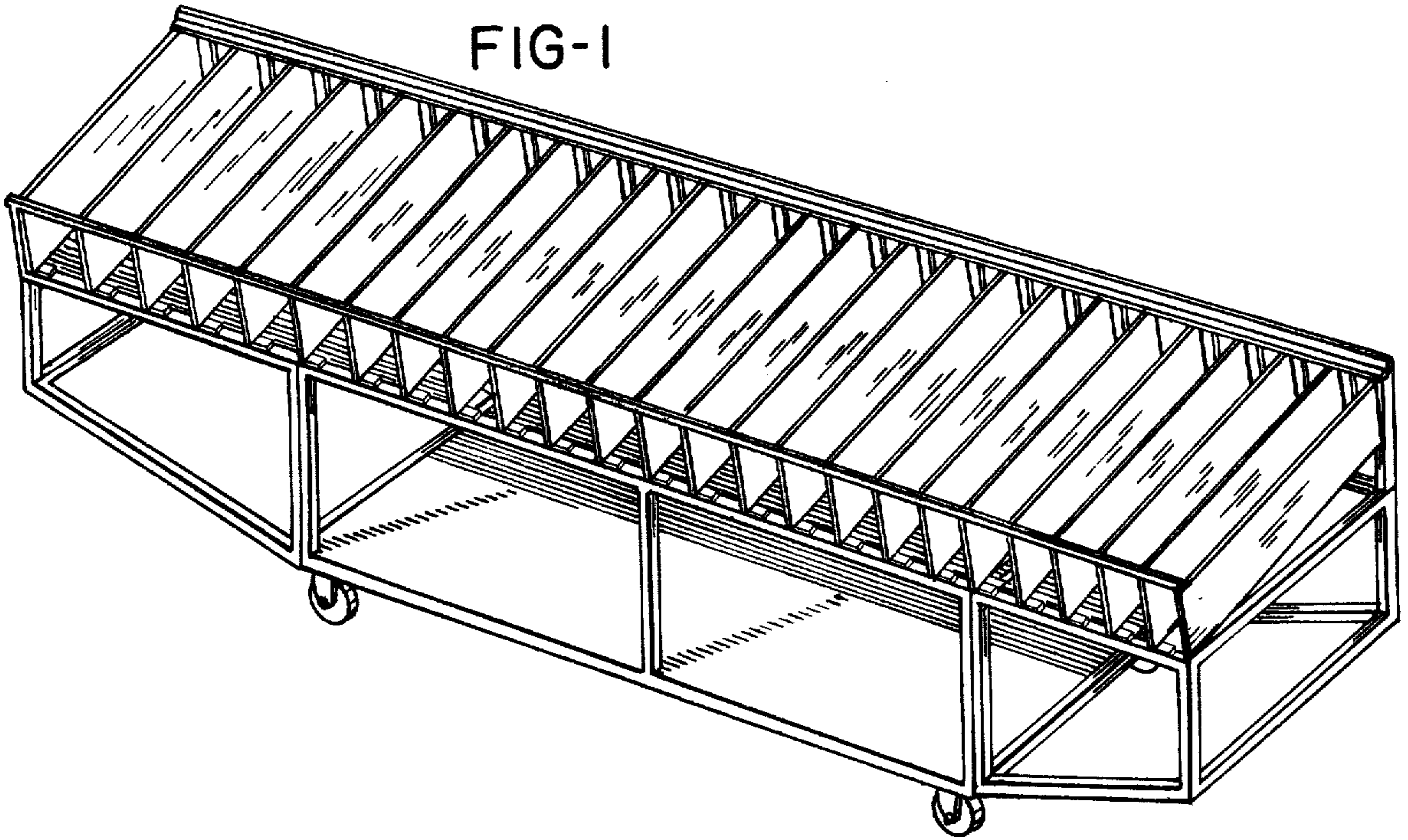


FIG-2

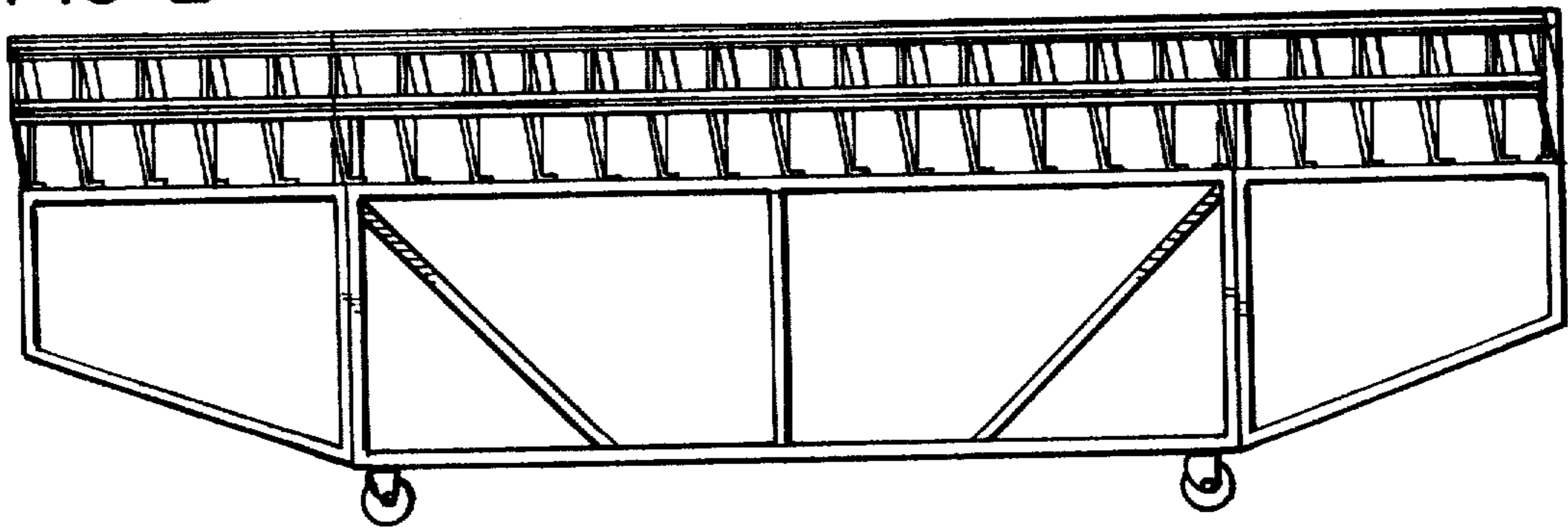


FIG-3

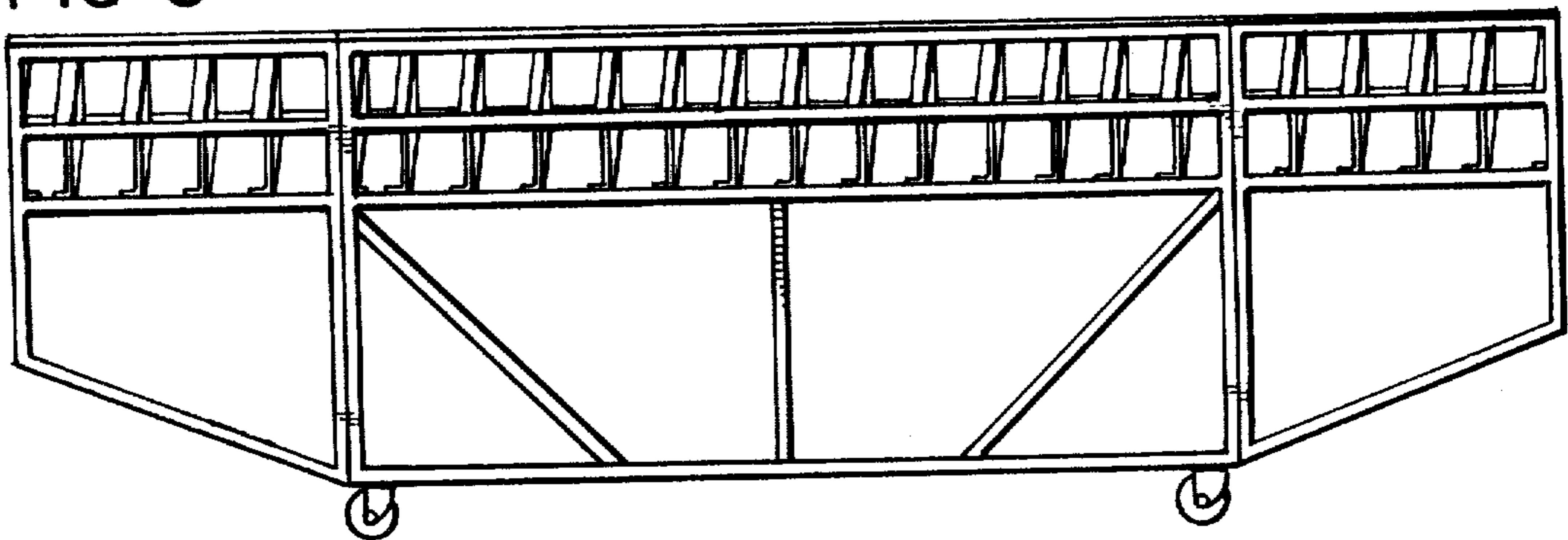


FIG-4

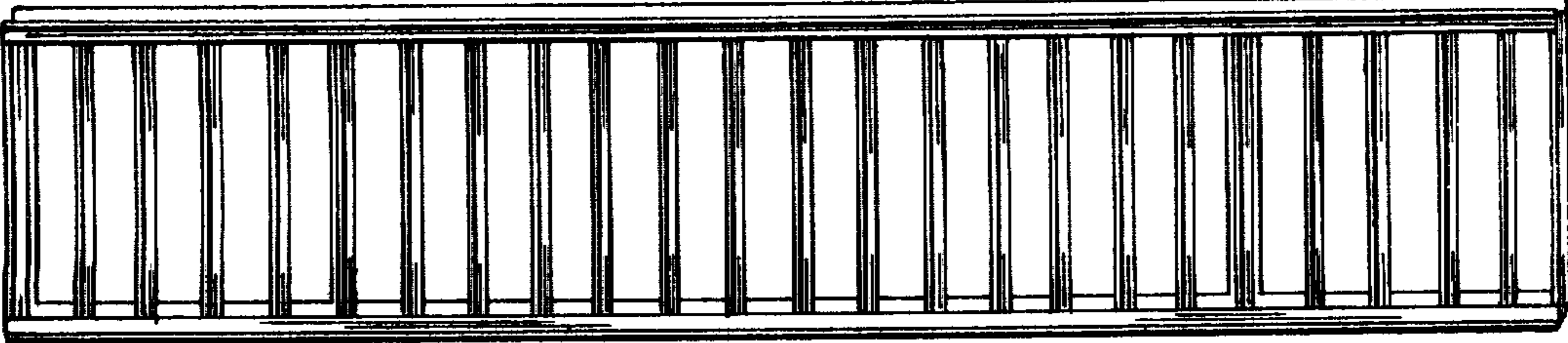


FIG-5

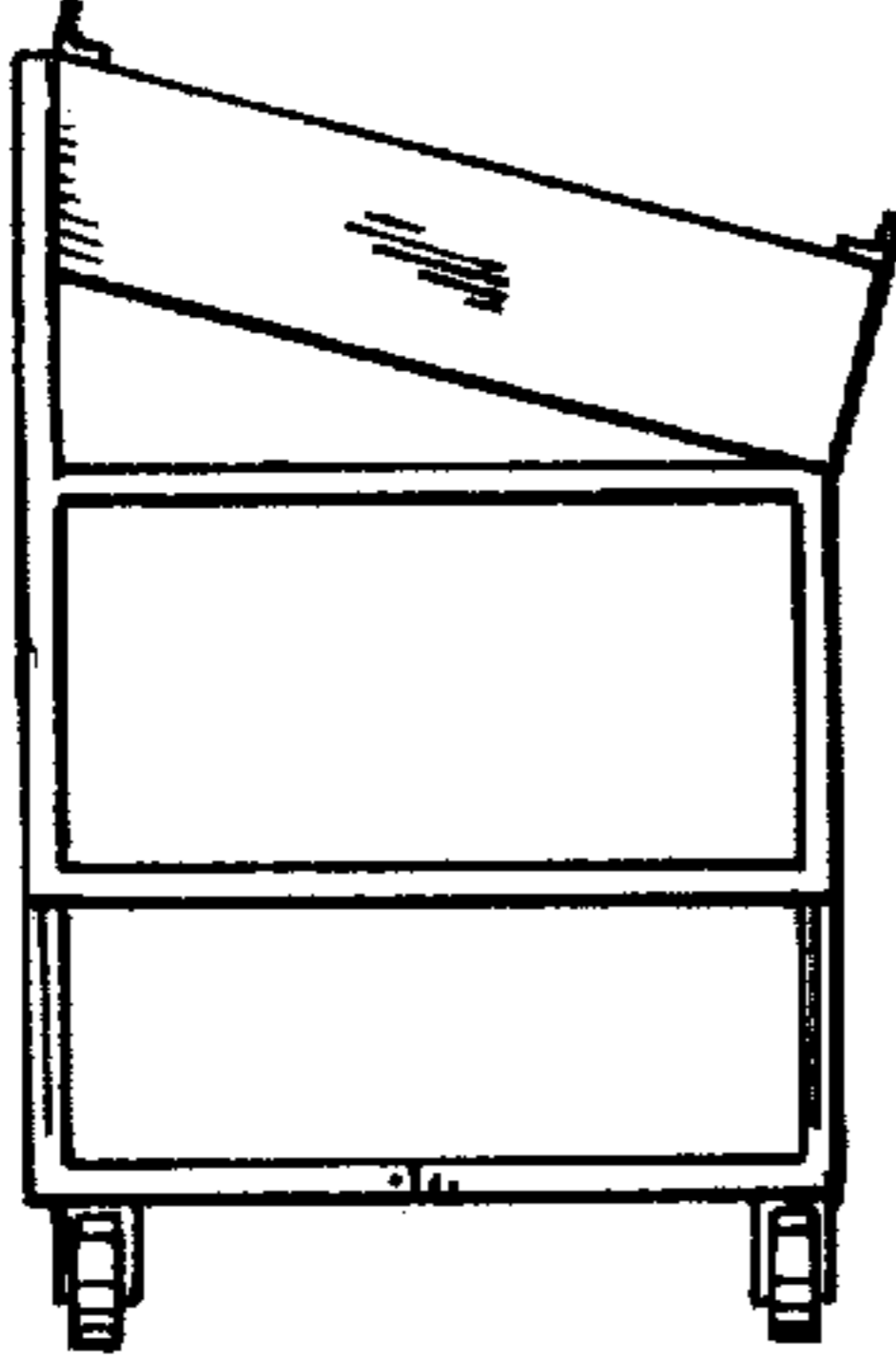


FIG-6

