

[54] LEAF BAG HOLDER

[75] Inventors: Brian F. Crawford, Schenectady; Philip Jaros, Gloversville, both of N.Y.

[73] Assignee: White Mop Wringer Company, Fultonville, N.Y.

[**] Term: 14 Years

[21] Appl. No.: 166,229

[22] Filed: Jul. 7, 1980

[51] Int. Cl. D7-05

[52] U.S. Cl. D34/01; D08/01

[58] Field of Search 294/1 R, 55, 51, 52; 248/99, 101; D8/1, 13; D34/1

[56] References Cited

U.S. PATENT DOCUMENTS

- 2,454,430 11/1948 Cortes .
- 3,017,653 1/1962 Bird .

- 3,688,483 9/1972 Hamilton .
- 3,711,141 1/1973 Sorrgel .
- 3,754,785 8/1973 Anderson .
- 3,986,744 10/1976 Krogstad .
- 3,988,007 10/1976 Freiburgen, Jr. .
- 4,279,437 7/1981 Goldbarg 294/1 BB

Primary Examiner—Catherine E. Kemper
Attorney, Agent, or Firm—Robert R. Jackson; Robert C. Morgan

[57] CLAIM

The ornamental design for a leaf bag holder, as shown.

DESCRIPTION

FIG. 1 is a perspective view on a reduced scale of a leaf bag holder, showing my new design;
 FIG. 2 is an enlarged side elevational view thereof;
 FIG. 3 is a rear elevational view thereof with portions broken away;
 FIG. 4 is a bottom plan view;
 FIG. 5 is an enlarged section taken on the line 5-5 of FIG. 1.

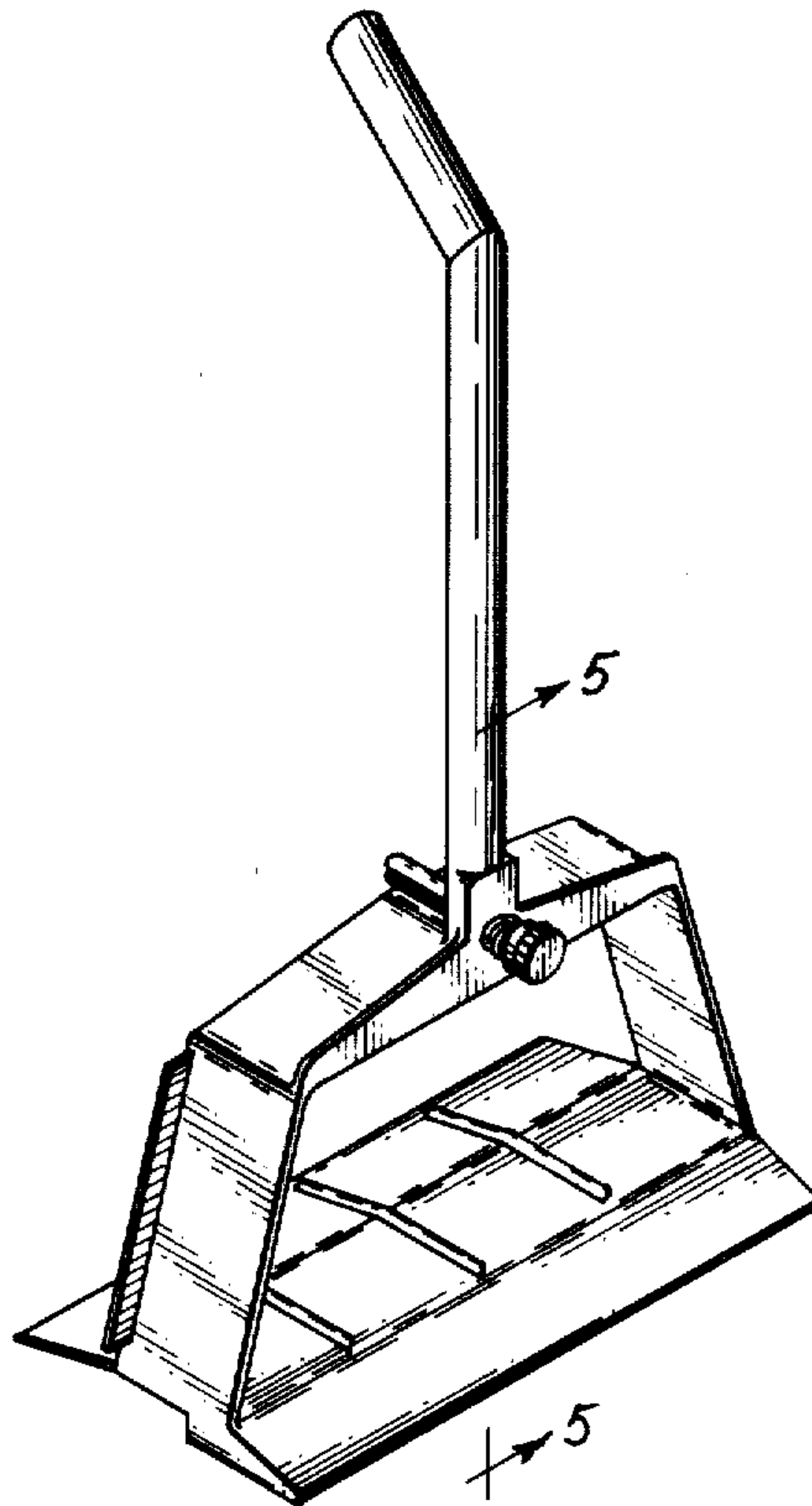


Fig. 1

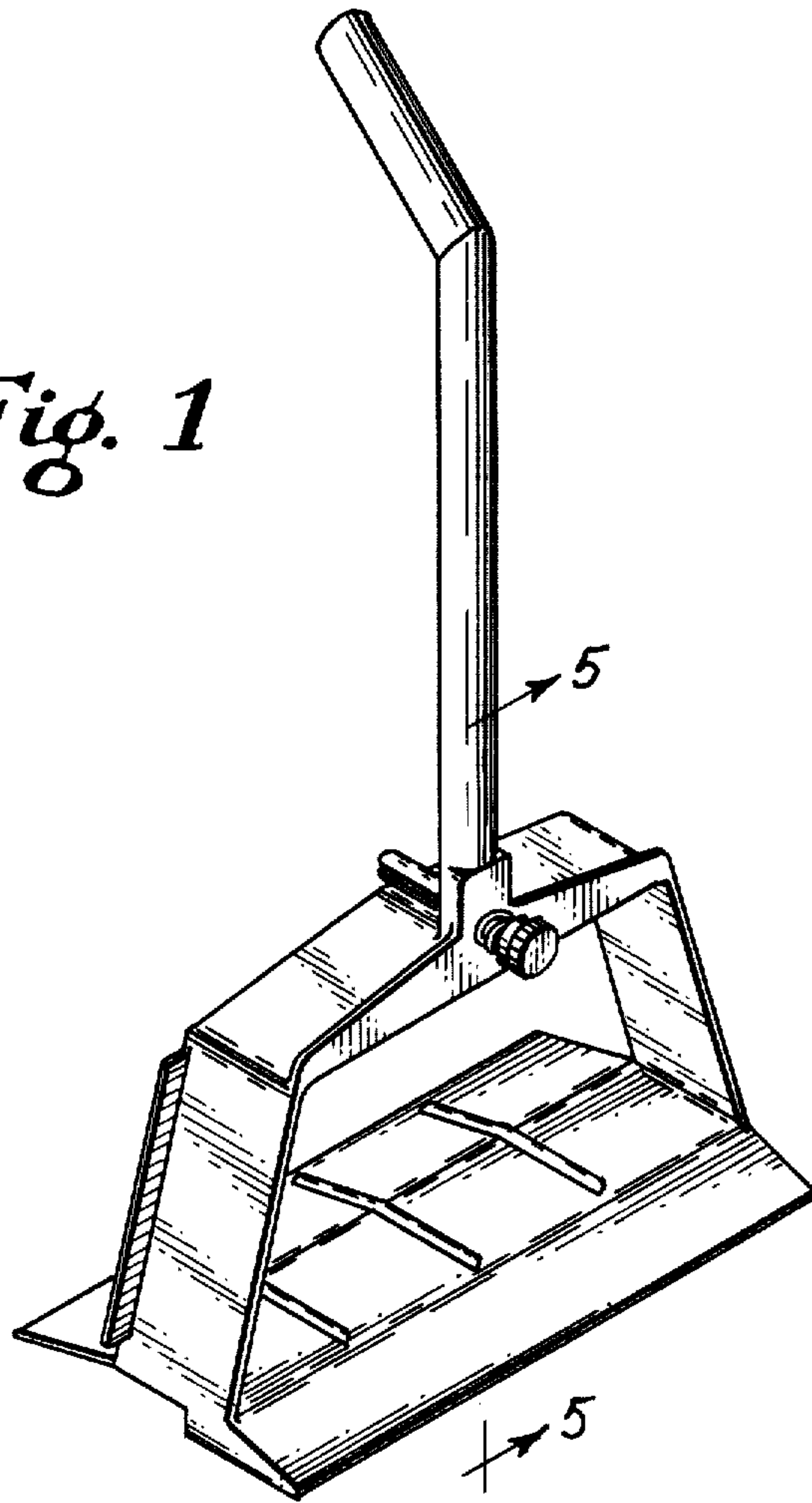


Fig. 2

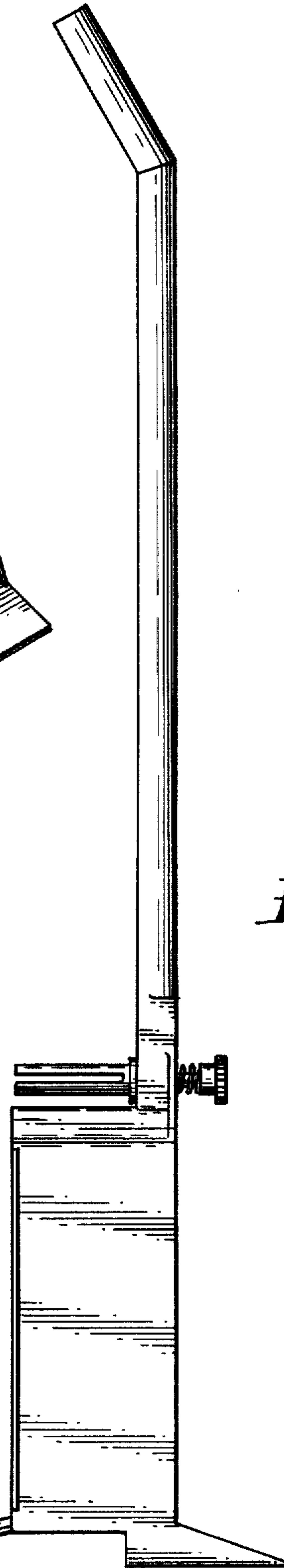


Fig. 5

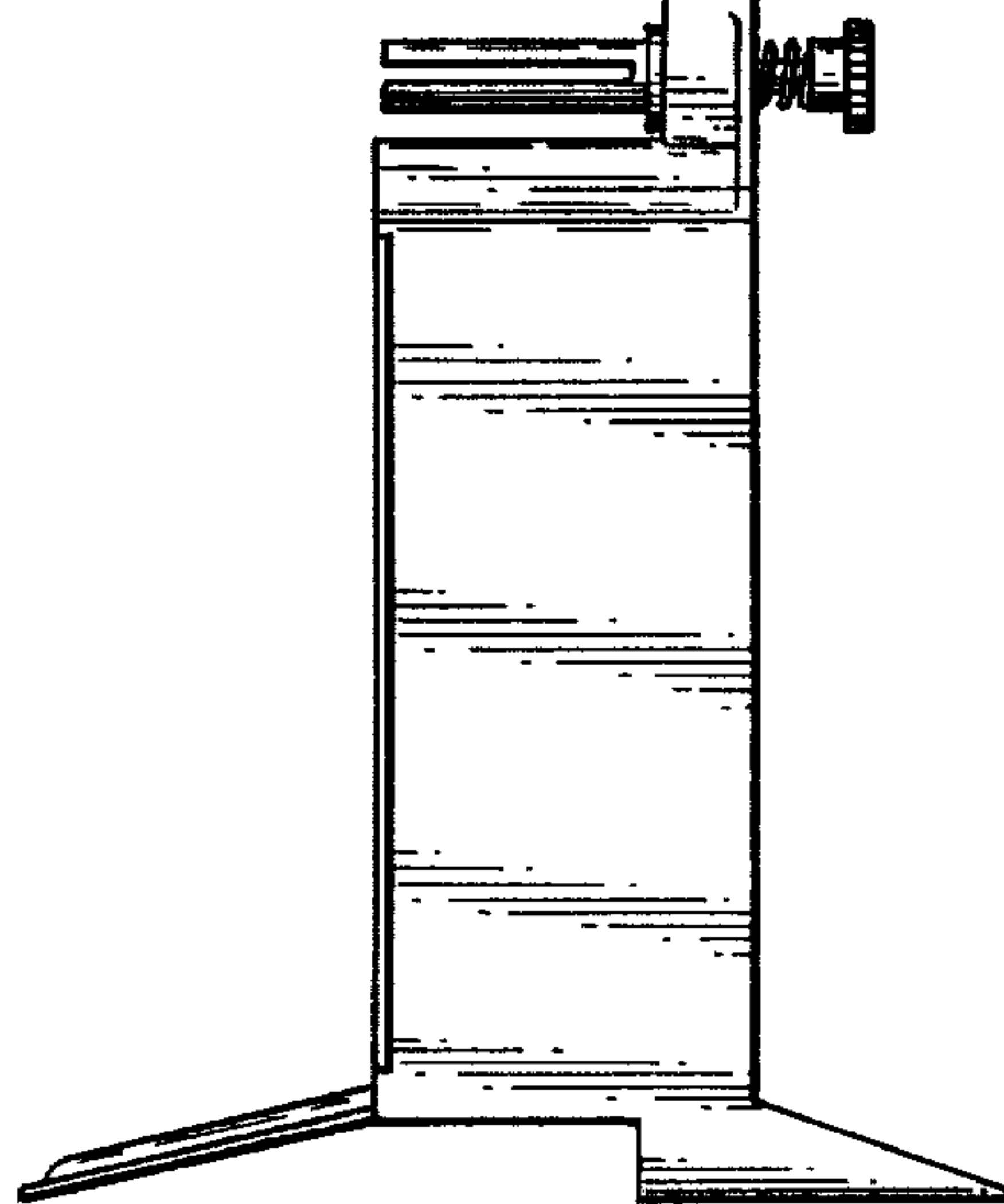
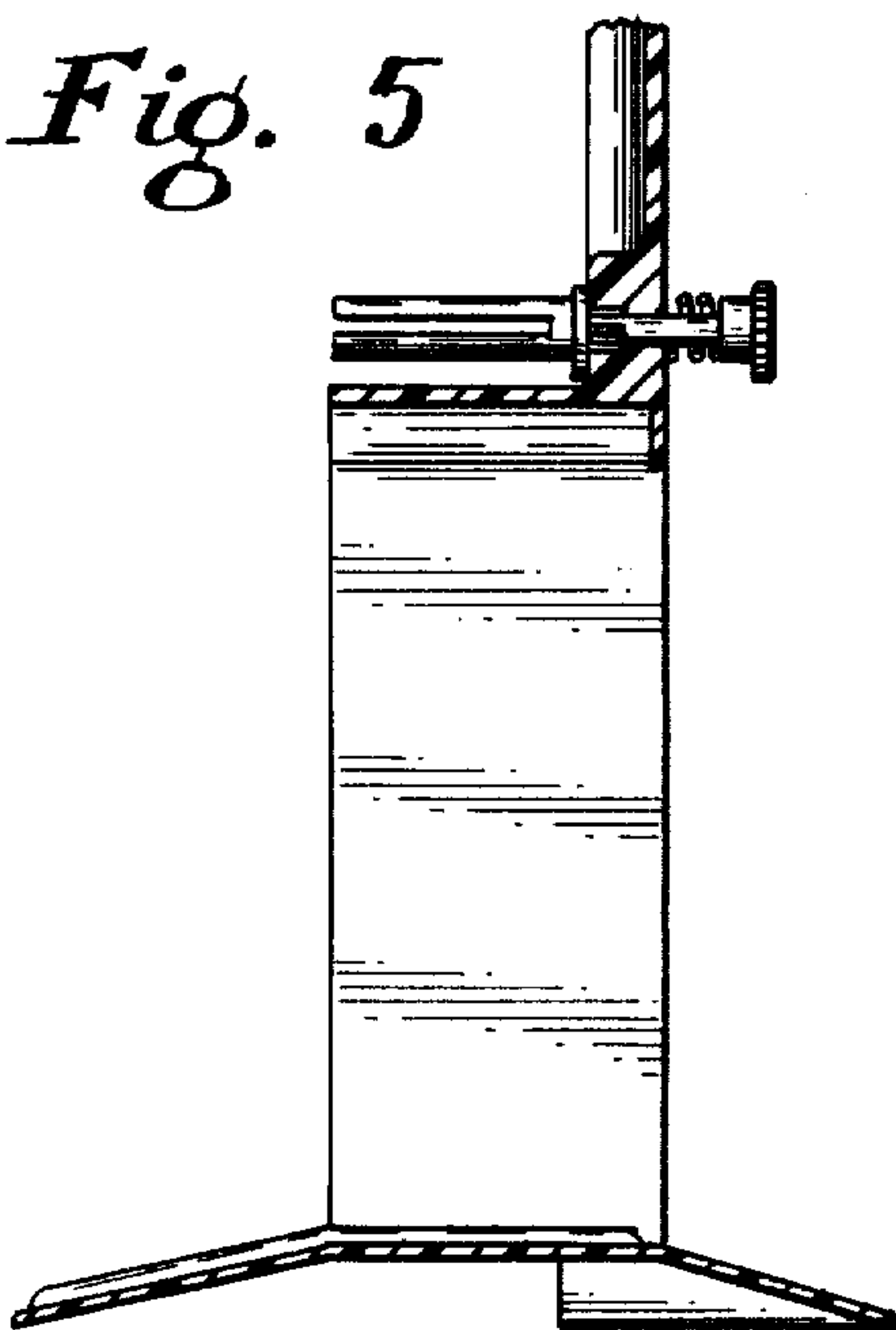


Fig. 3

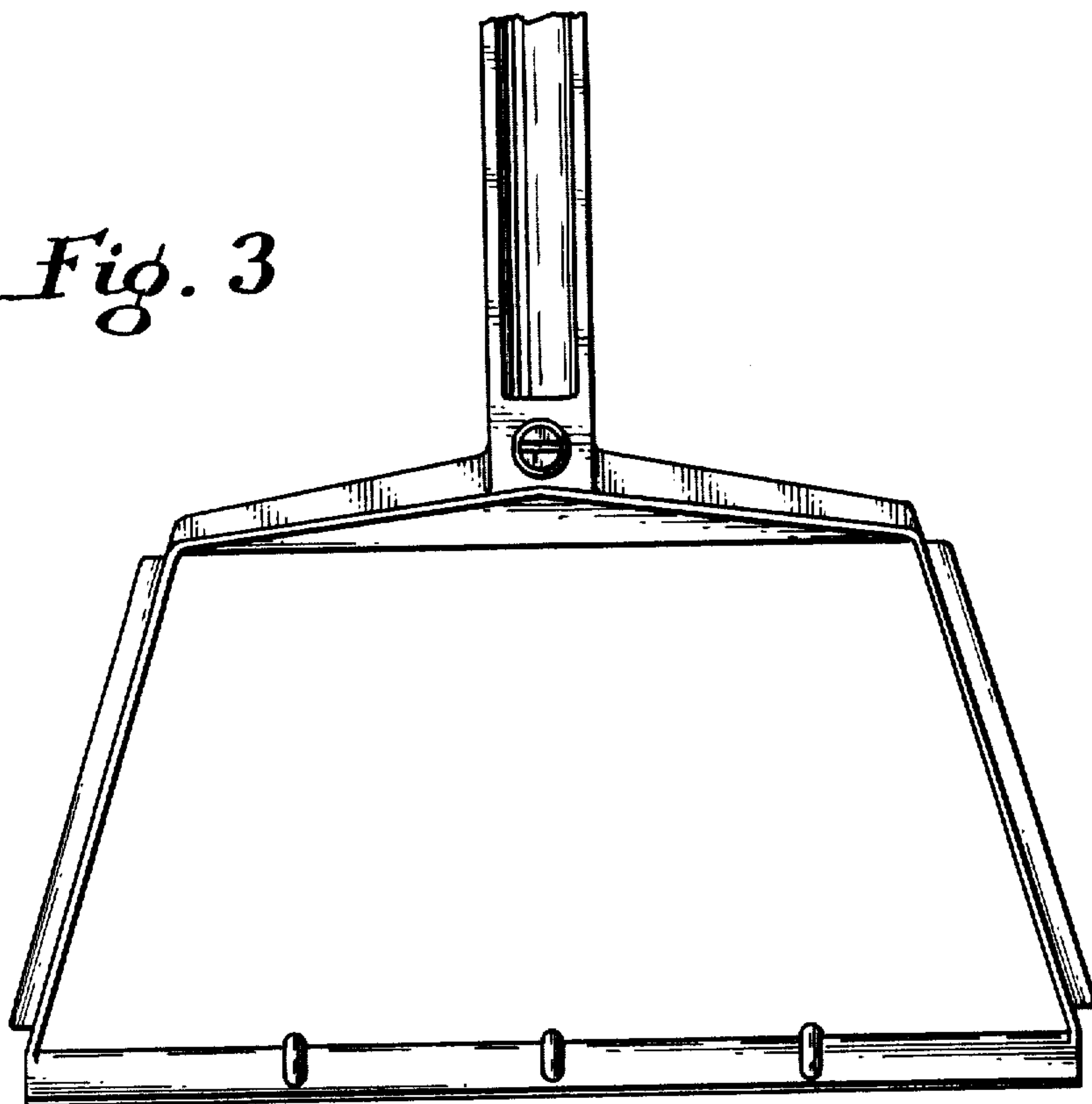


Fig. 4

