

[54] **PLUNGER ROD/NEEDLE PROTECTOR FOR A HYPODERMIC SYRINGE**

[75] **Inventors:** Thomas J. Ambrosio, Somerville; Henry J. Buchman, Edison; Joseph J. Rogus, Bridgewater; Henry R. Sochon, Clifton, all of N.J.

[73] **Assignee:** Schering Corporation, Kenilworth, N.J.

[**] **Term:** 14 Years

[21] **Appl. No.:** 184,436

[22] **Filed:** Sep. 4, 1980

[51] **Int. Cl.** D24-02; D24-99

[52] **U.S. Cl.** D24/25; 128/218 P; D24/24

[58] **Field of Search** 128/218 P, 218; 206/365, 216; D24/24, 25

[56] **References Cited**

U.S. PATENT DOCUMENTS

- D. 167,127 6/1952 Willis D24/24
- D. 208,080 7/1967 Hamilton D24/25

- D. 248,491 7/1978 Reiss D24/25
- 2,690,803 11/1954 Ogle 128/218 P
- 3,028,862 4/1962 Prater, Jr. 128/218 P
- 3,381,813 5/1968 Coanda et al. 206/365
- 3,390,759 7/1968 Vanderbeck 206/216
- 3,783,997 1/1974 Brown 206/365
- 3,820,652 6/1974 Trackston 206/365
- 4,018,222 4/1977 McAleer 206/365 X
- 4,106,622 8/1978 Windischman 206/365
- 4,332,323 6/1982 Reenstierna 206/365

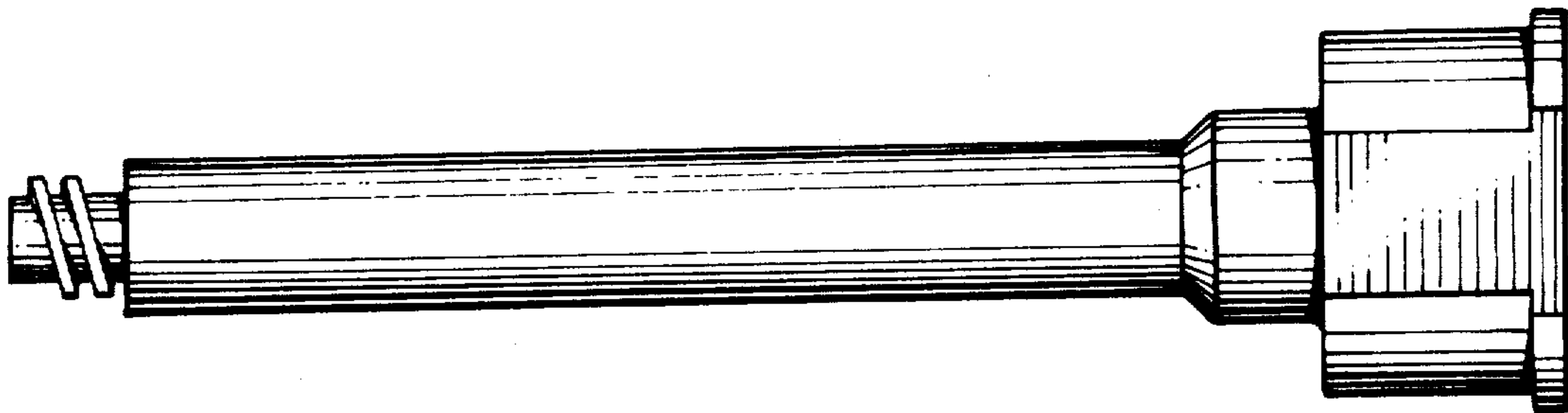
Primary Examiner—Bernard Ansher
Attorney, Agent, or Firm—Warrick E. Lee, Jr.; Vincent H. Gifford; Bruce M. Eisen

[57] **CLAIM**

The ornamental design for a plunger rod/needle protector for a hypodermic syringe, as shown and described.

DESCRIPTION

FIG. 1 is a side elevation of a plunger rod/needle protector for a hypodermic syringe showing our new design, FIG. 2 is an end view taken from the right of FIG. 1, FIG. 3 is a perspective view thereof; and FIG. 4 is a perspective view in the opposite direction of that of FIG. 3.



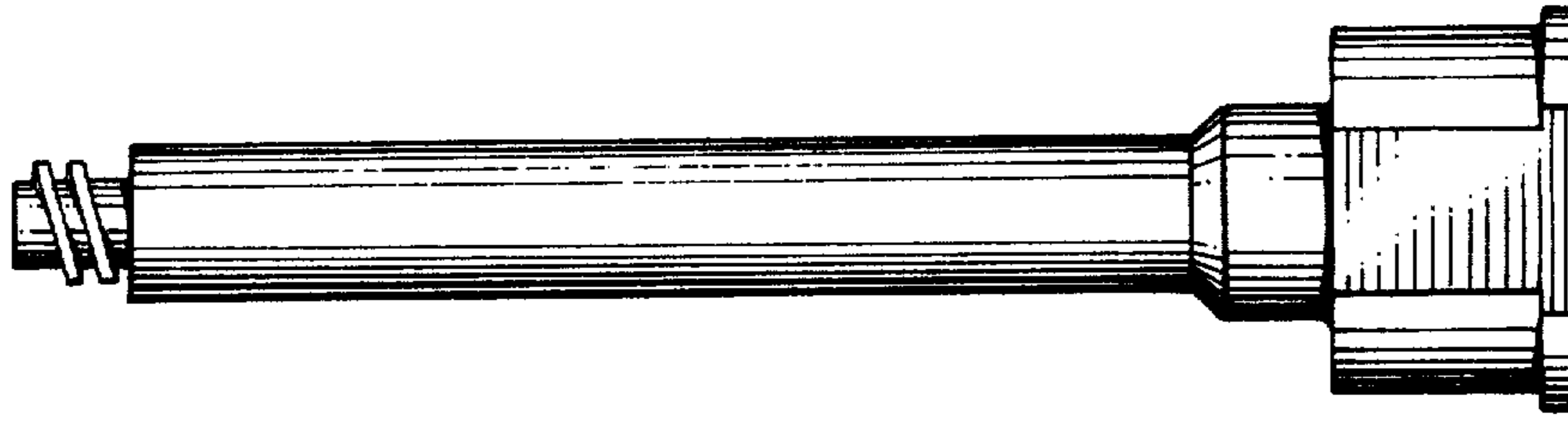


FIG. 1

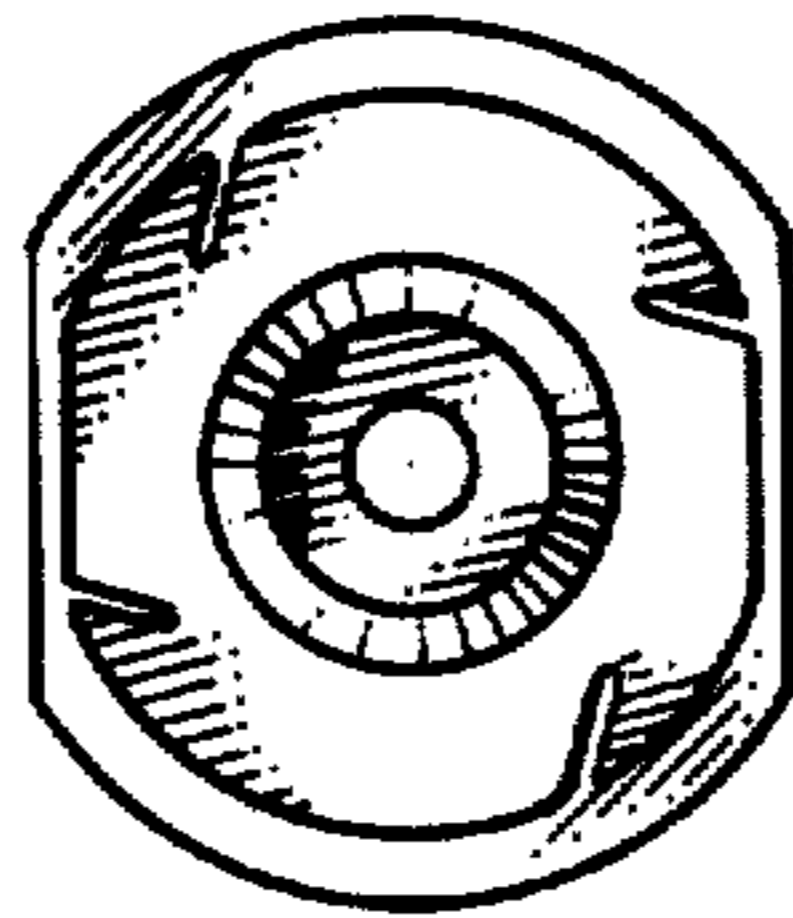


FIG. 2

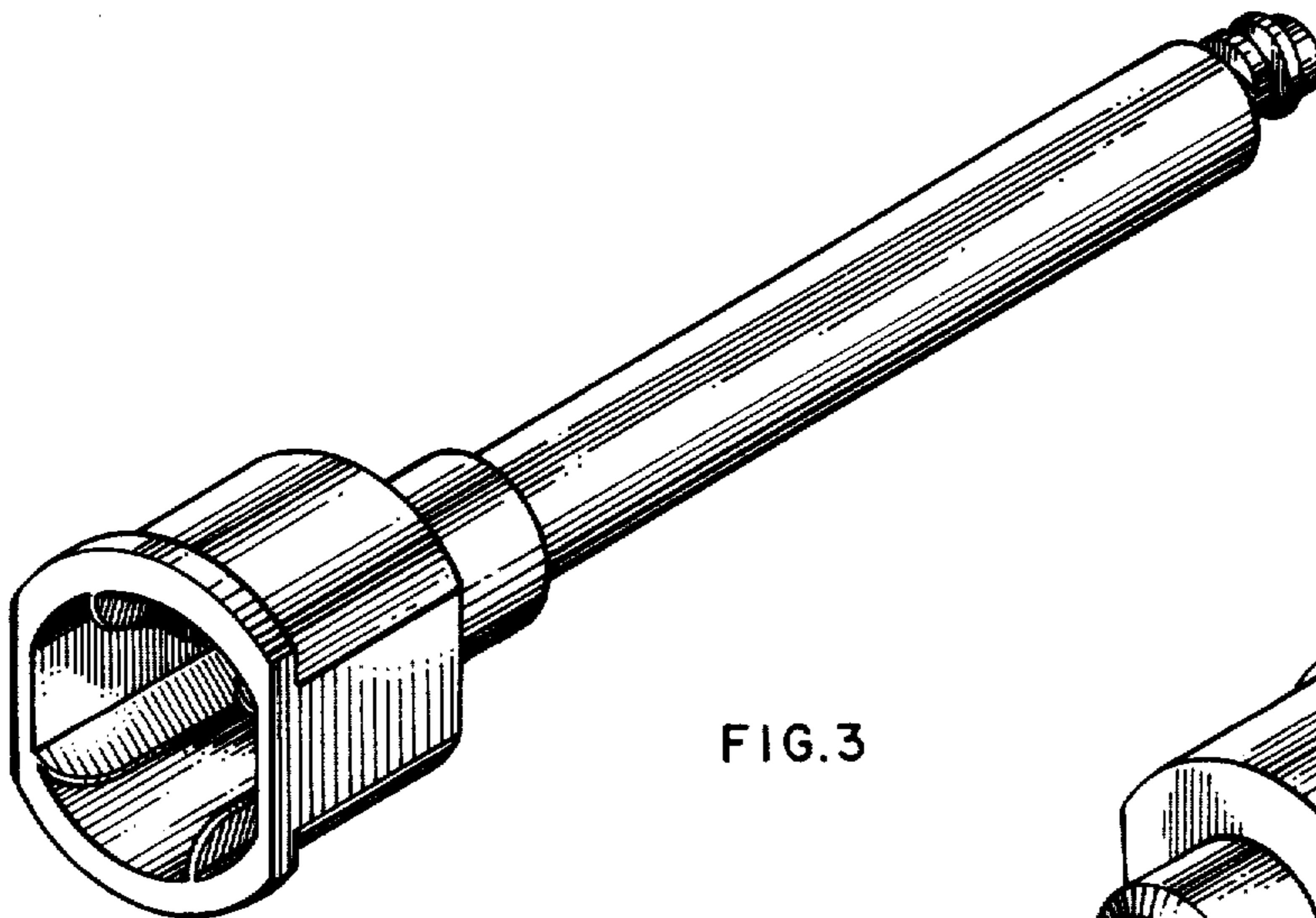


FIG. 3

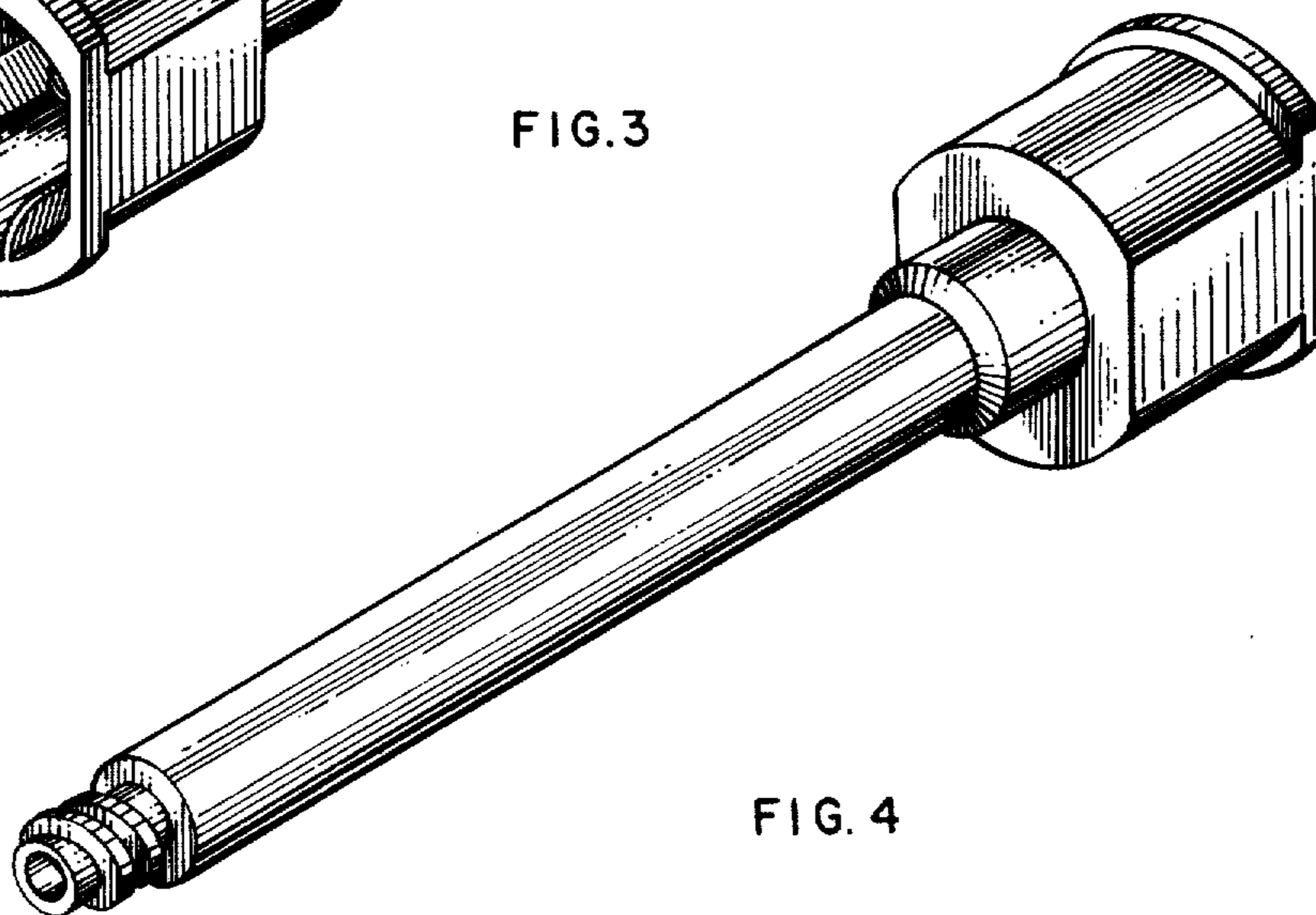


FIG. 4