

[54] DENTAL MOUTH PROP

[76] Inventor: Roger A. Hatlen, 3021 Joseph Ave., Sacramento, Calif. 95825

[**] Term: 14 Years

[21] Appl. No.: 145,307

[22] Filed: Apr. 30, 1980

[51] Int. Cl. D24-02

[52] U.S. Cl. D24/10; D24/19

[58] Field of Search 433/140; 128/136, 276, 128/15; D24/10, 19, 99

[56] References Cited

U.S. PATENT DOCUMENTS

- D. 212,992 12/1968 Scaler, Jr. D24/19
- D. 245,512 8/1977 Kohl D24/10

- 3,505,995 4/1970 Greenberg 128/136
- 4,114,614 9/1978 Kesling 128/136

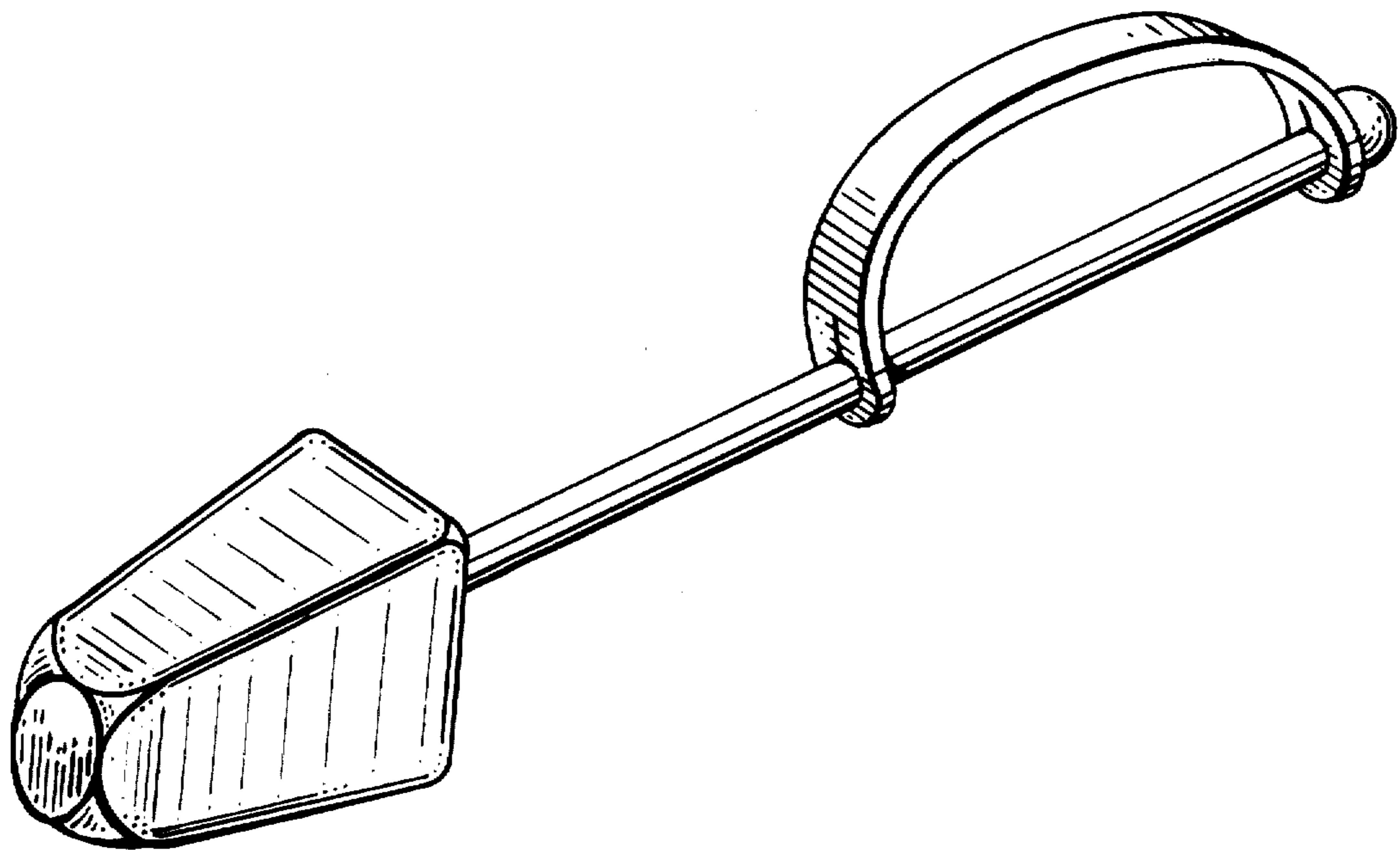
Primary Examiner—Bernard Ansher

[57] CLAIM

The ornamental design for a dental mouth prop, as shown.

DESCRIPTION

FIG. 1 is a top perspective view of a dental mouth prop showing my new design;
 FIG. 2 is a top plan view thereof;
 FIG. 3 is a bottom plan view thereof;
 FIG. 4 is a front elevation thereof;
 FIG. 5 is a left end elevation thereof;
 FIG. 6 is a right end elevation thereof; and
 FIG. 7 is a top plan view of the handle element shown separately for clarity of illustration.



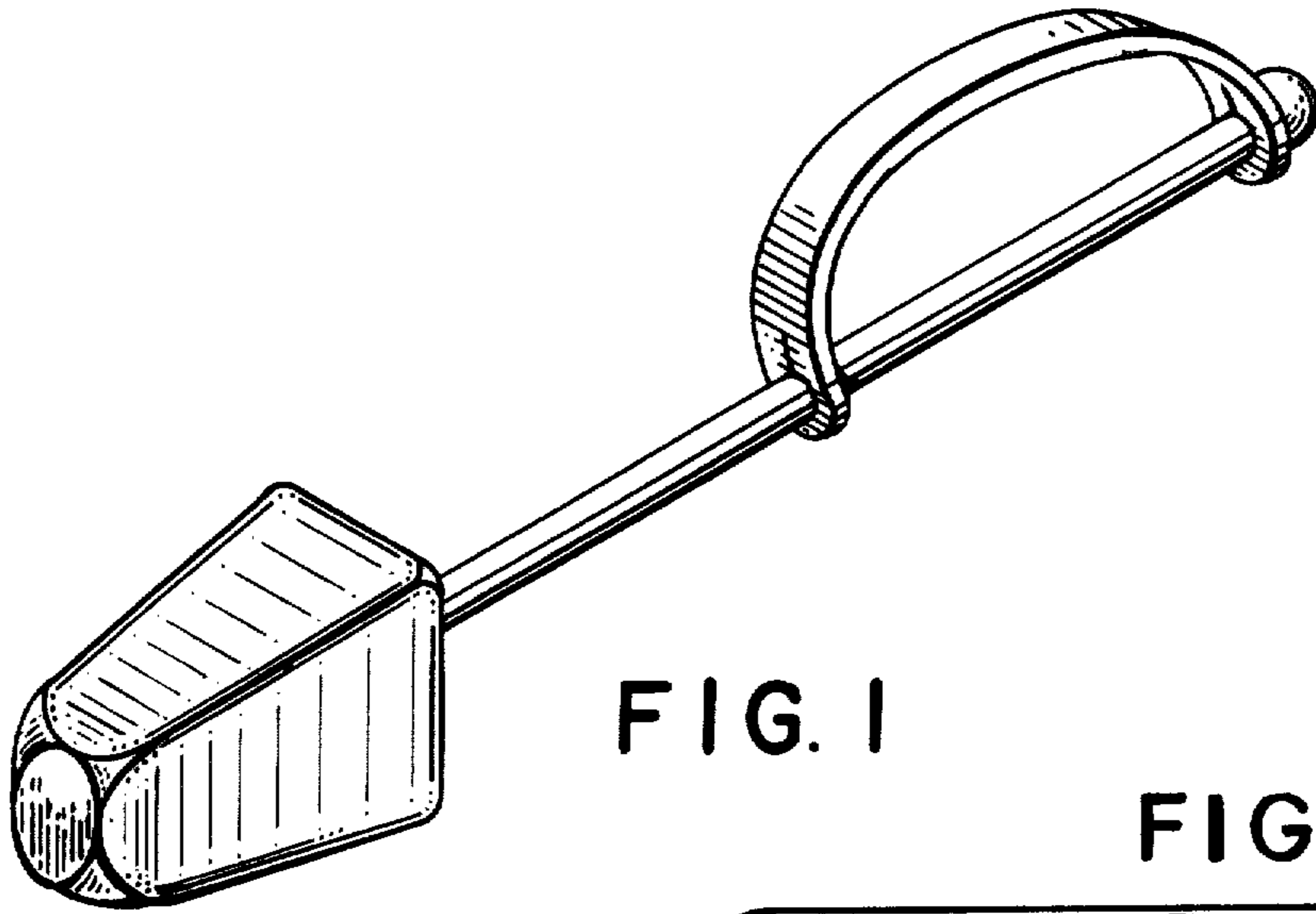


FIG. 1

FIG. 7

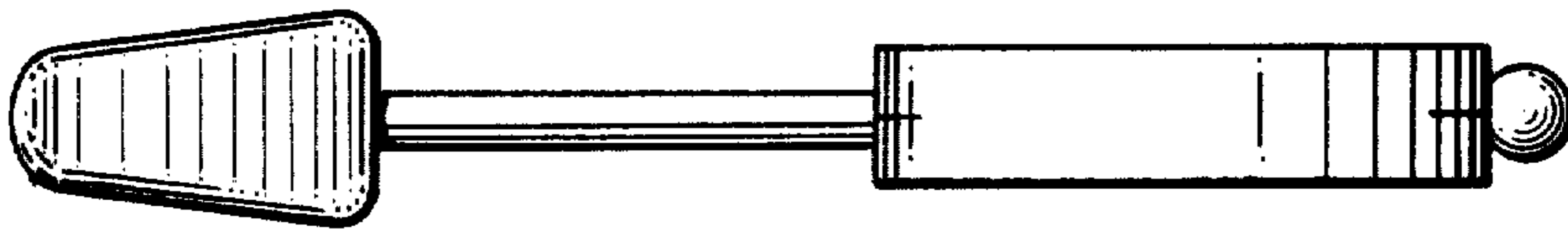


FIG. 2

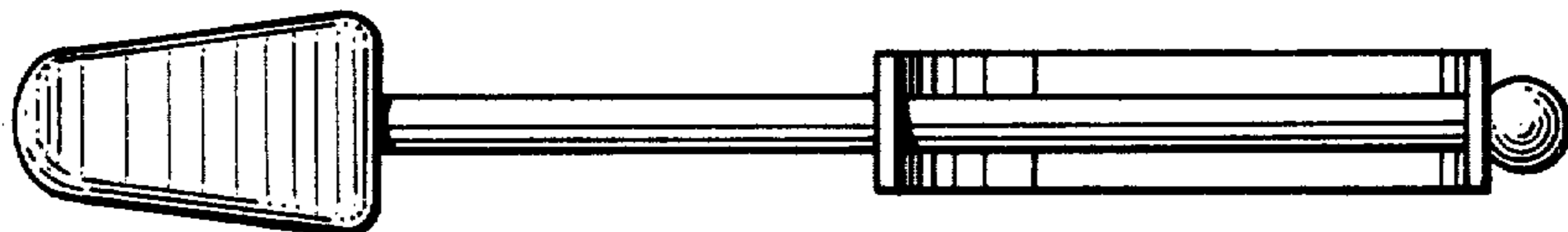


FIG. 3



FIG. 4

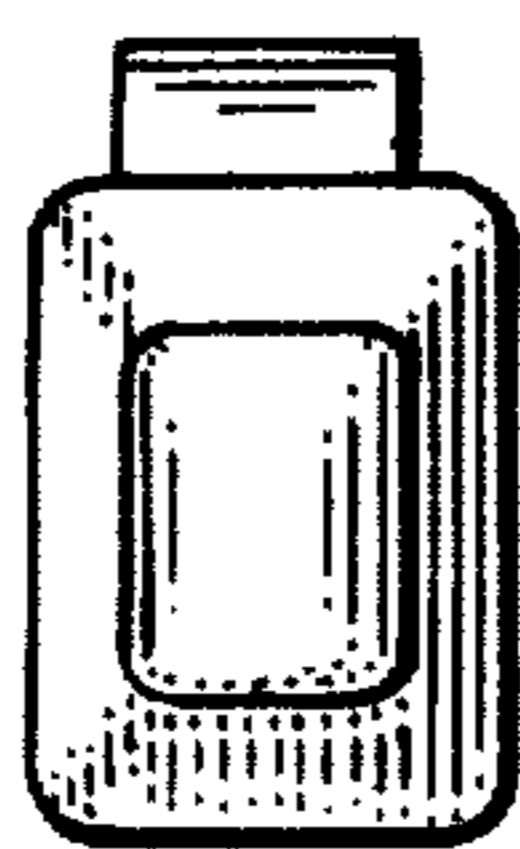


FIG. 5

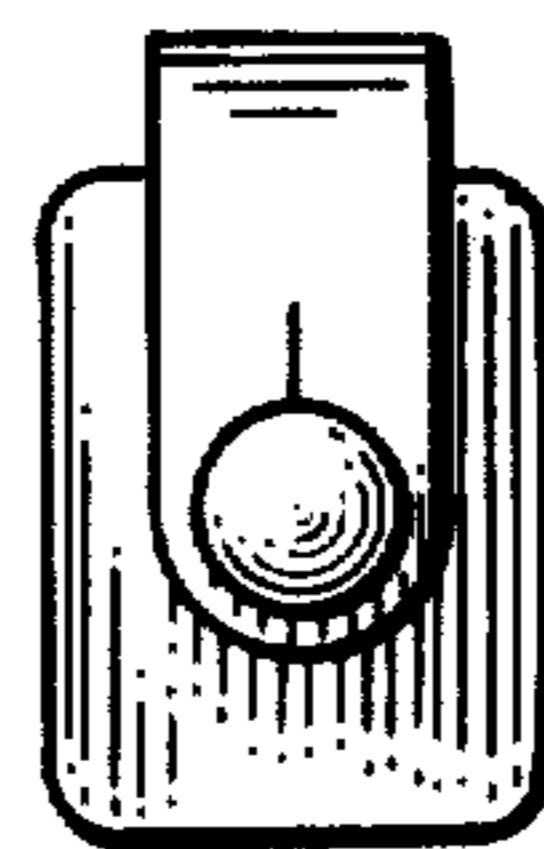


FIG. 6