

[54] GAS-FIRED INFRARED HEATER

[75] Inventor: Pierre Sobole, Clenay, France

[73] Assignee: Societe Bourguignonne de Mecanique, France

[\*\*] Term: 14 Years

[21] Appl. No.: 148,571

[22] Filed: May 9, 1980

[51] Int. Cl. .... D23-03

[52] U.S. Cl. .... D23/122

[58] Field of Search ..... D23/122, 123, 124, 107, D23/111, 92, 93; 126/92 B, 92 R, 92 C, 92 AC

[56] References Cited

U.S. PATENT DOCUMENTS

- D. 173,726 12/1954 Gialanella ..... D23/123
- D. 177,316 4/1956 Dudley ..... D23/107
- D. 245,510 8/1977 Herman et al. .... D23/111 X
- D. 263,621 3/1982 Johnson ..... D23/124

FOREIGN PATENT DOCUMENTS

- 55-158406 12/1980 Japan ..... 126/92 R
- 200409 7/1923 United Kingdom ..... 126/92 B

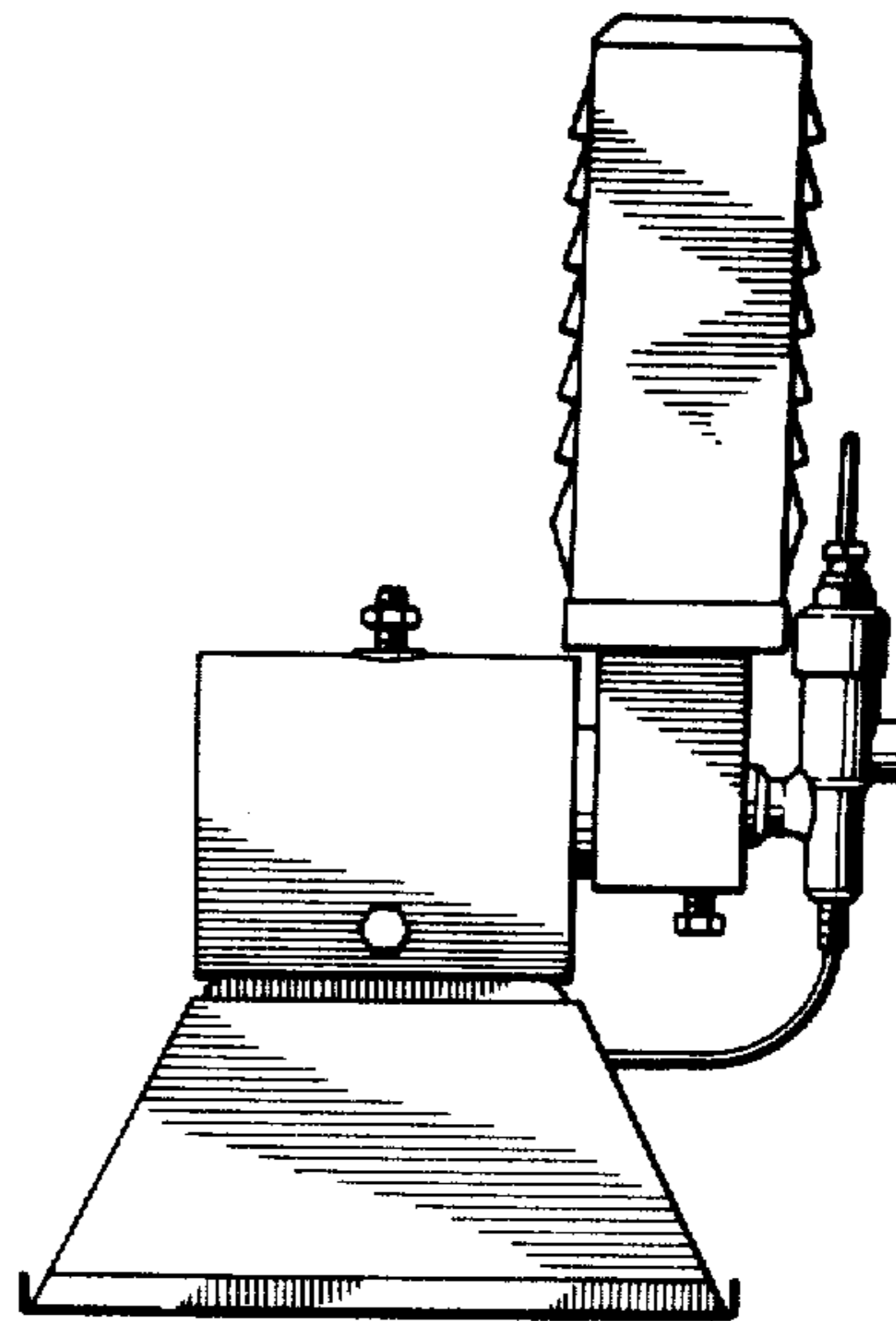
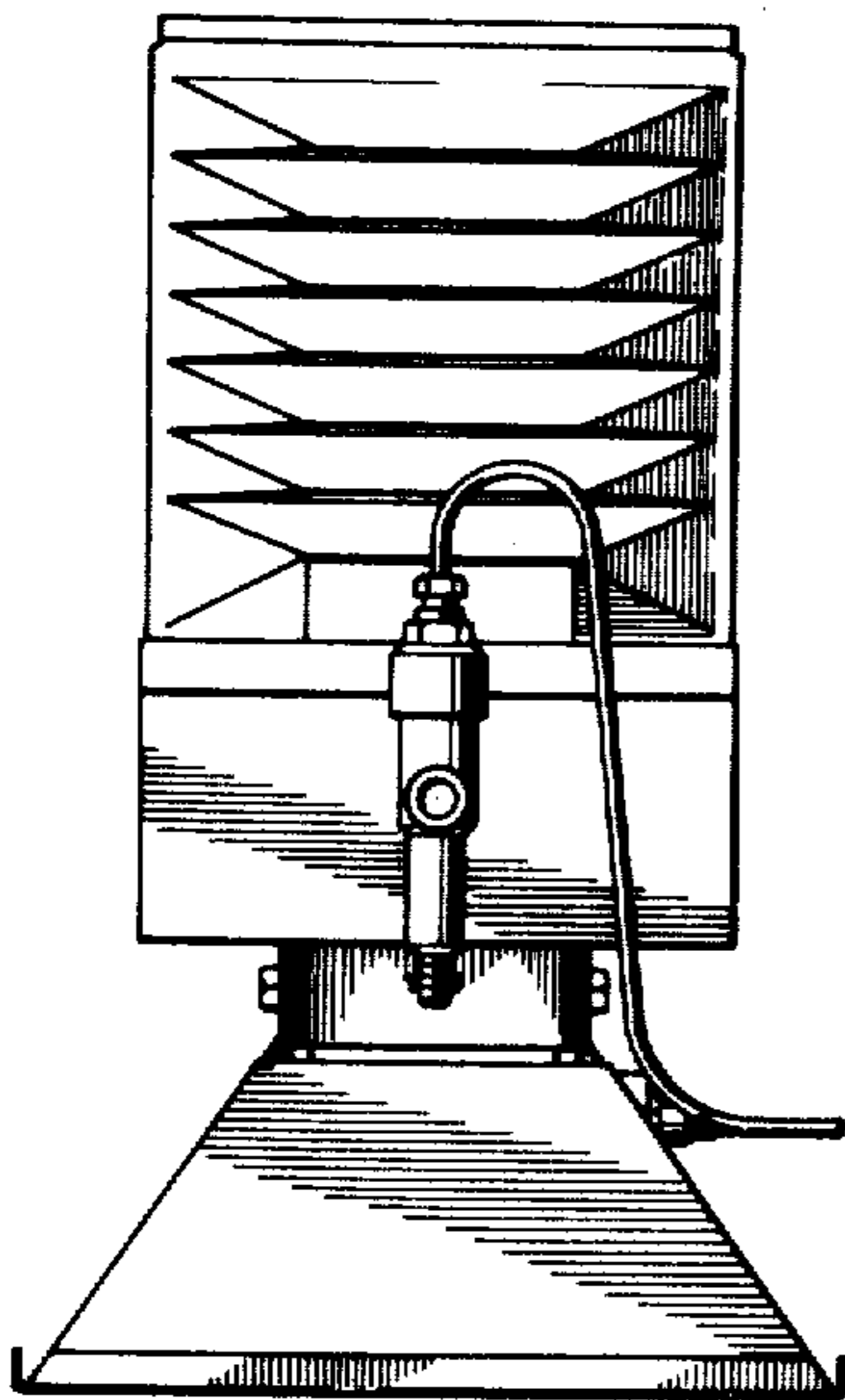
Primary Examiner—Catherine E. Kemper  
Attorney, Agent, or Firm—Kane, Dalsimer, Kane,  
Sullivan and Kurucz

[57] CLAIM

The ornamental design for a gas-fired infrared heater, as shown and described.

DESCRIPTION

FIG. 1 is a front elevational view of a gas fired infrared heater, showing my new design;  
FIG. 2 is a left side elevational view thereof;  
FIG. 3 is a rear elevational view thereof;  
FIG. 4 is a right side elevational view thereof;  
FIG. 5 is a bottom plan view thereof;  
FIG. 6 is a top plan view thereof;  
FIG. 7 is a front elevational view of a second embodiment of a gas fired infrared heater;  
FIG. 8 is a left side elevational view thereof;  
FIG. 9 is a rear elevational view thereof;  
FIG. 10 is a right side elevational view thereof;  
FIG. 11 is a bottom plan view thereof;  
FIG. 12 is a top plan view thereof;  
FIG. 13 is a front elevational view of a third embodiment of a gas fired infrared heater;  
FIG. 14 is a left side elevational view thereof;  
FIG. 15 is a rear elevational view thereof;  
FIG. 16 is a right side elevational view thereof;  
FIG. 17 is a bottom plan view thereof;  
FIG. 18 is a top plan view thereof;  
FIG. 19 is a front elevational view of a fourth embodiment of a gas fired infrared heater;  
FIG. 20 is a left side elevational view thereof;  
FIG. 21 is a rear elevational view thereof;  
FIG. 22 is a right side elevational view thereof;  
FIG. 23 is a bottom plan view thereof;  
FIG. 24 is a top plan view thereof.



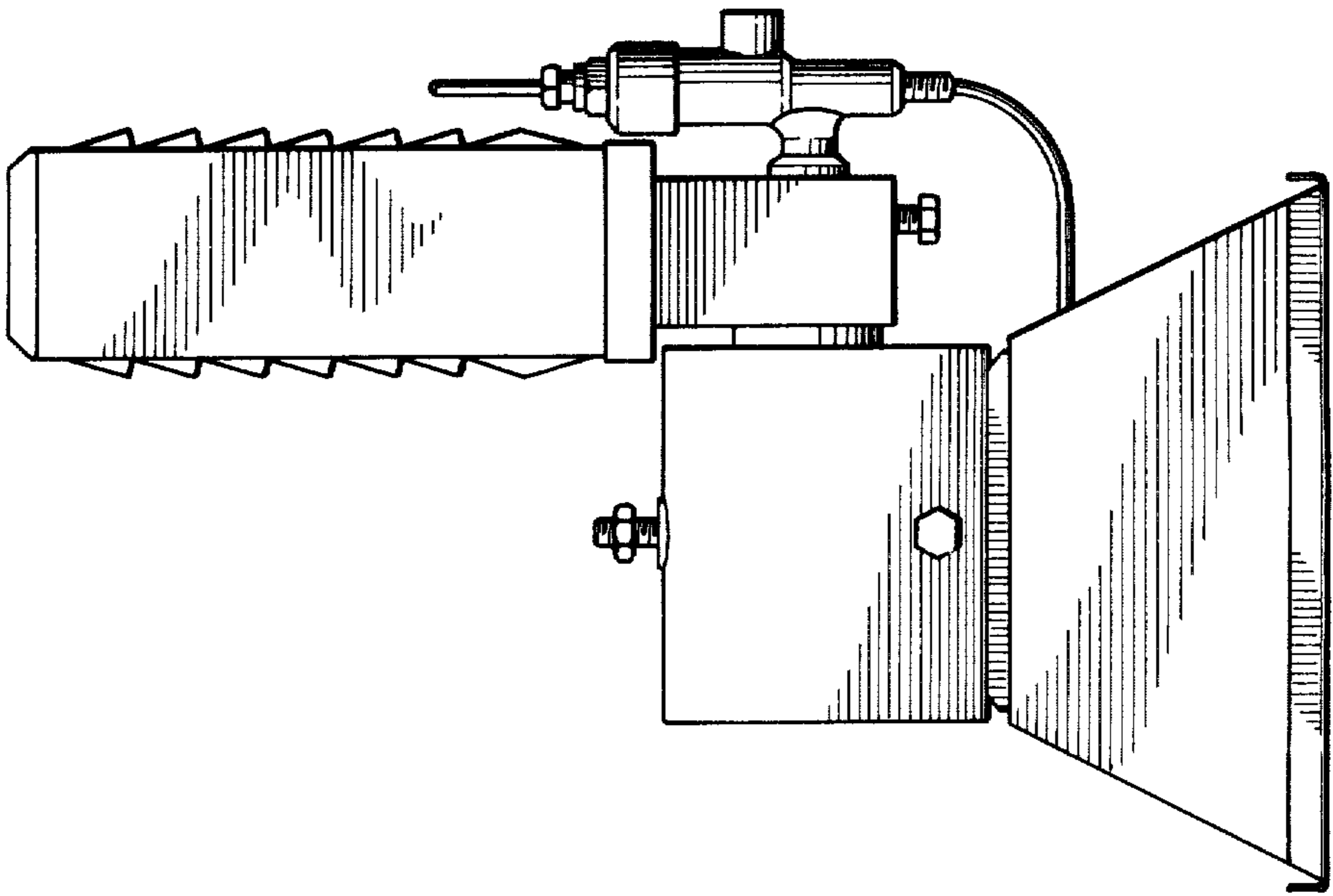


FIG. 2

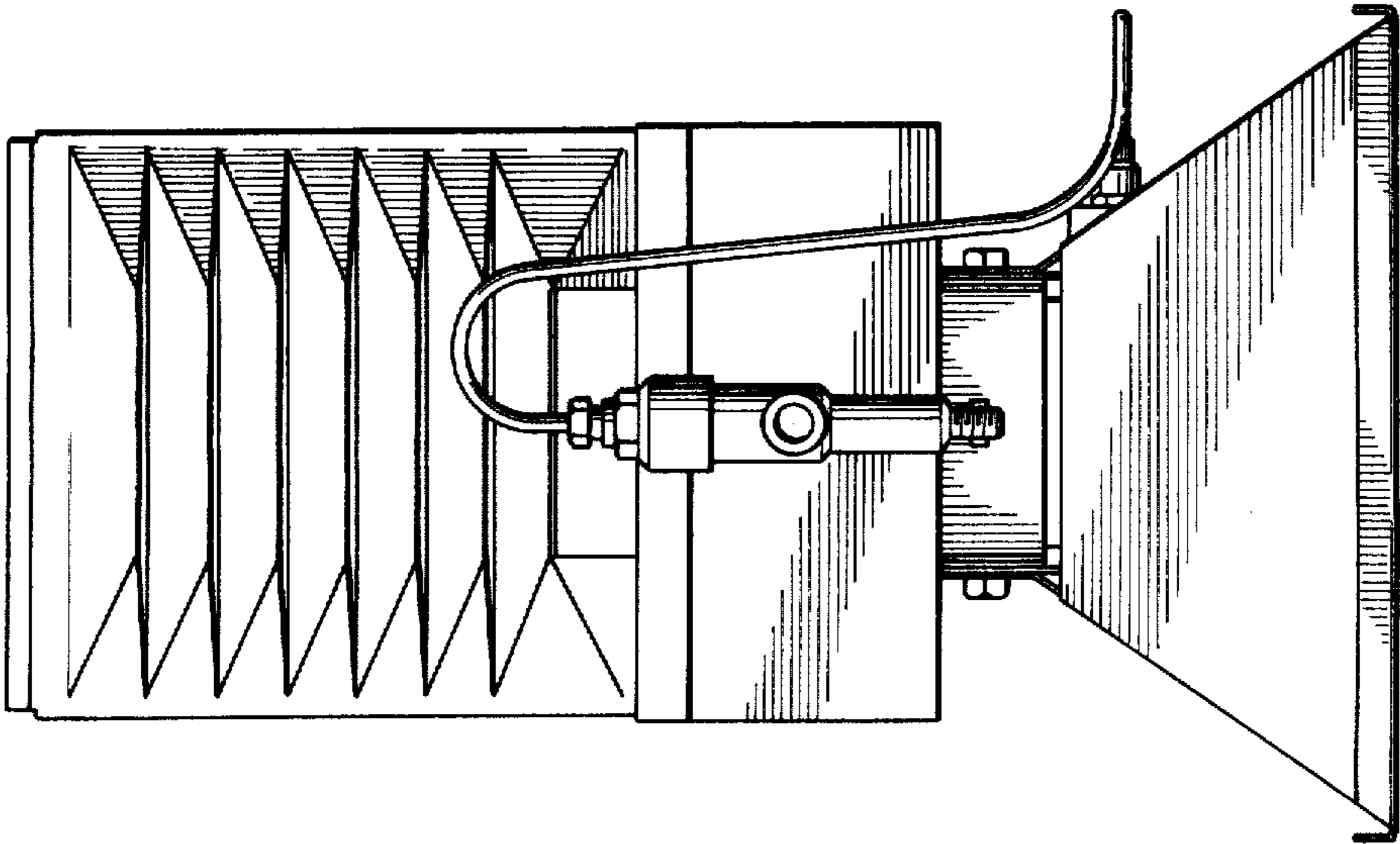


FIG. 1

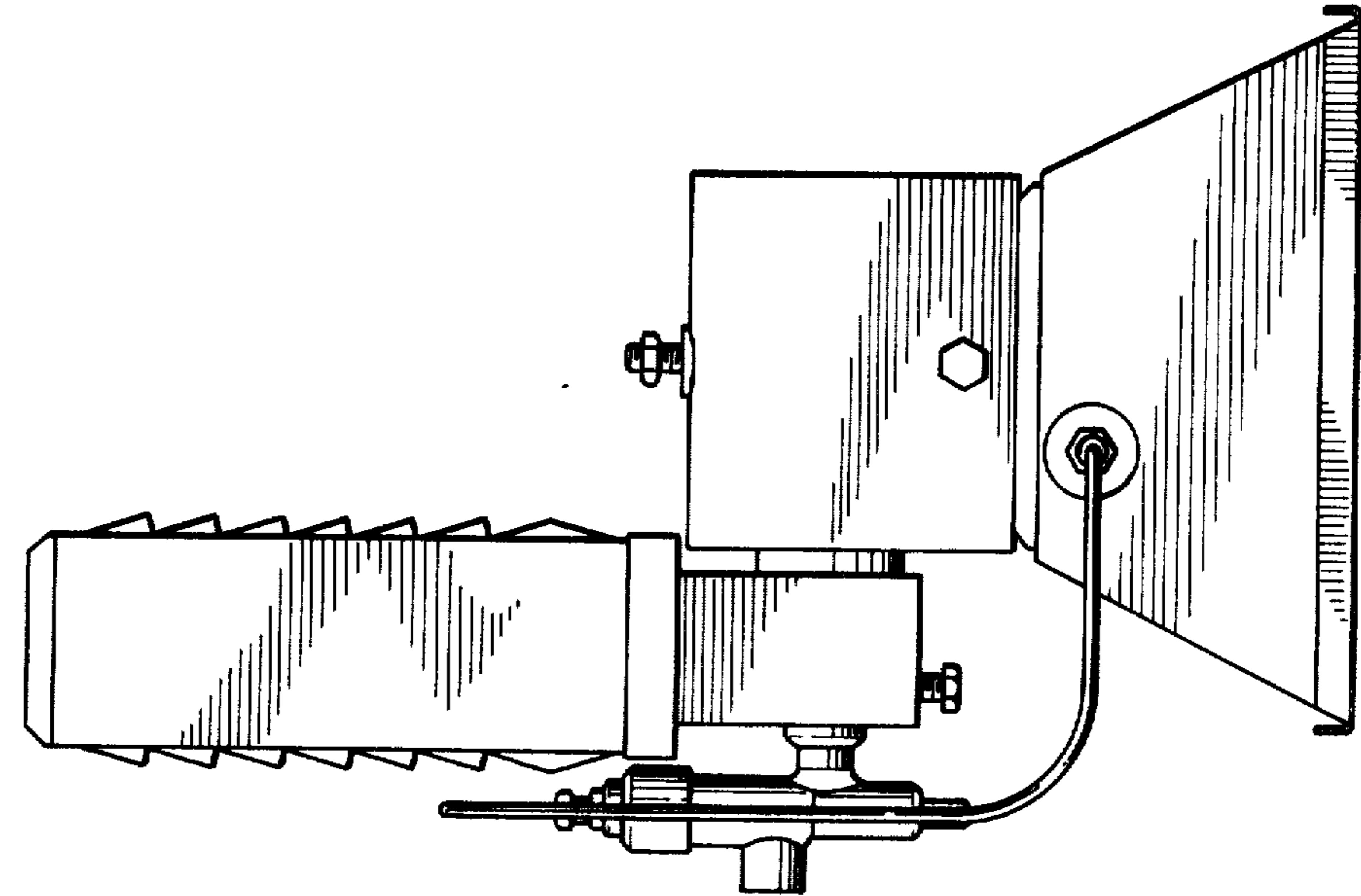


FIG. 4

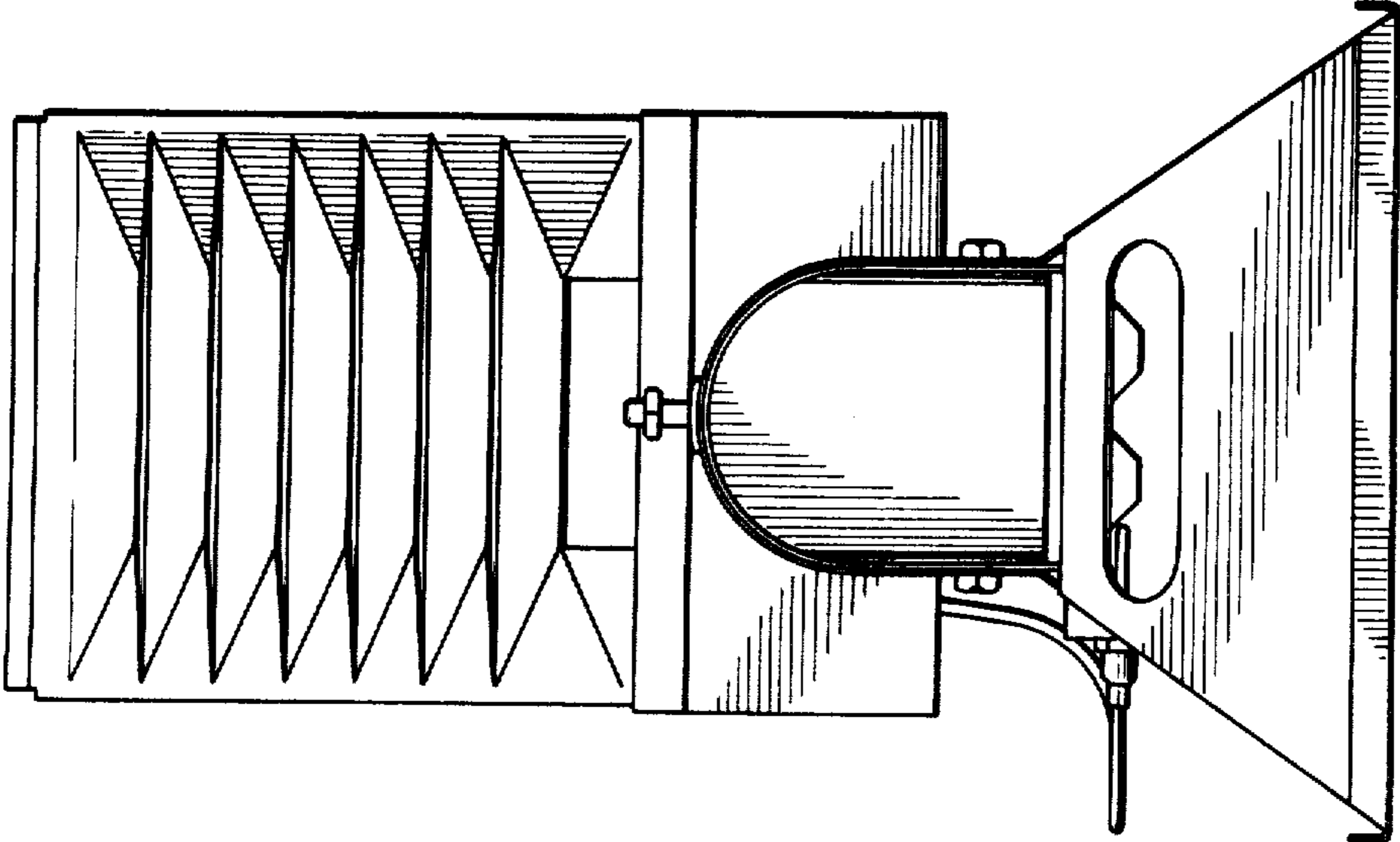


FIG. 3

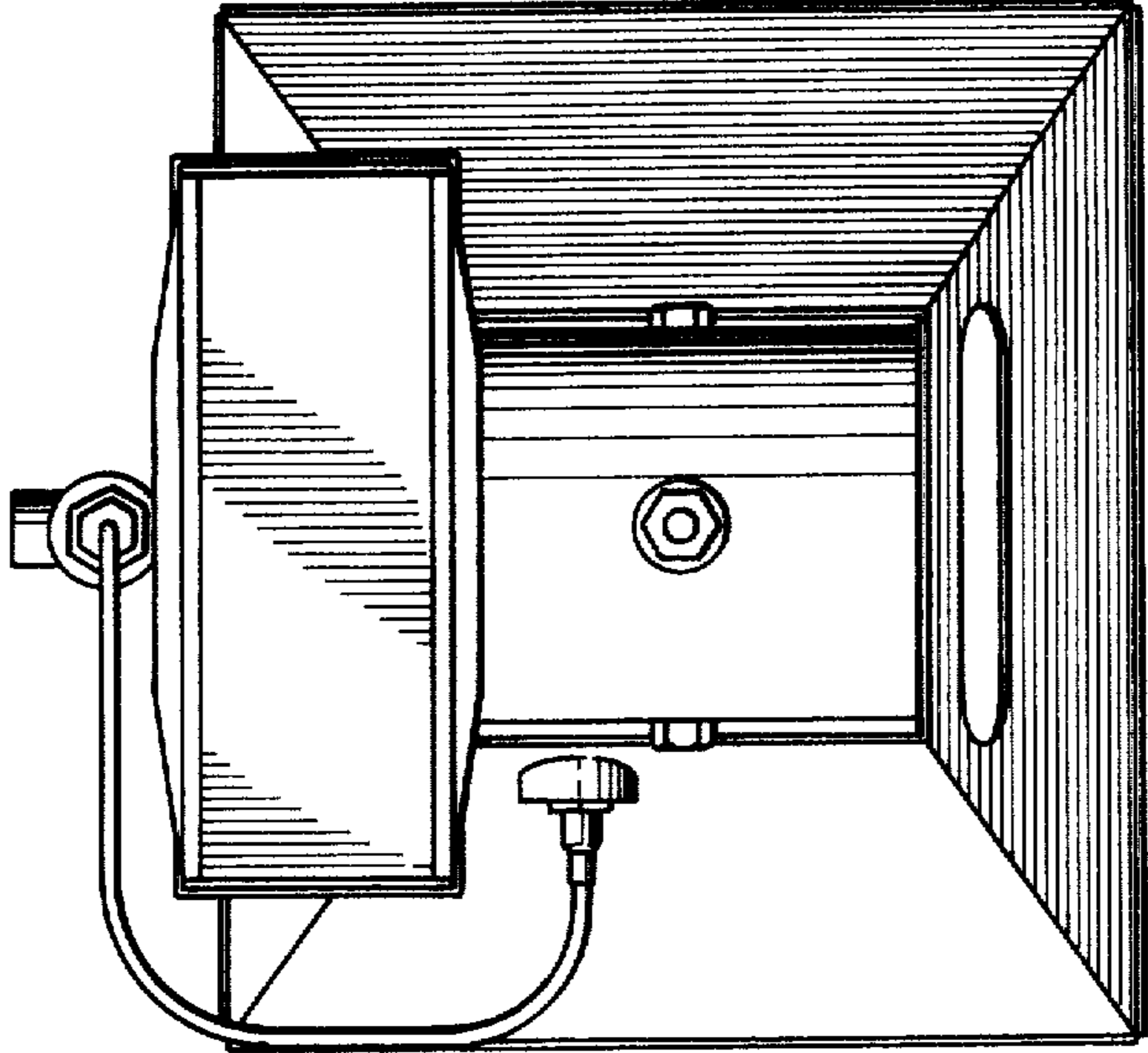


FIG. 6

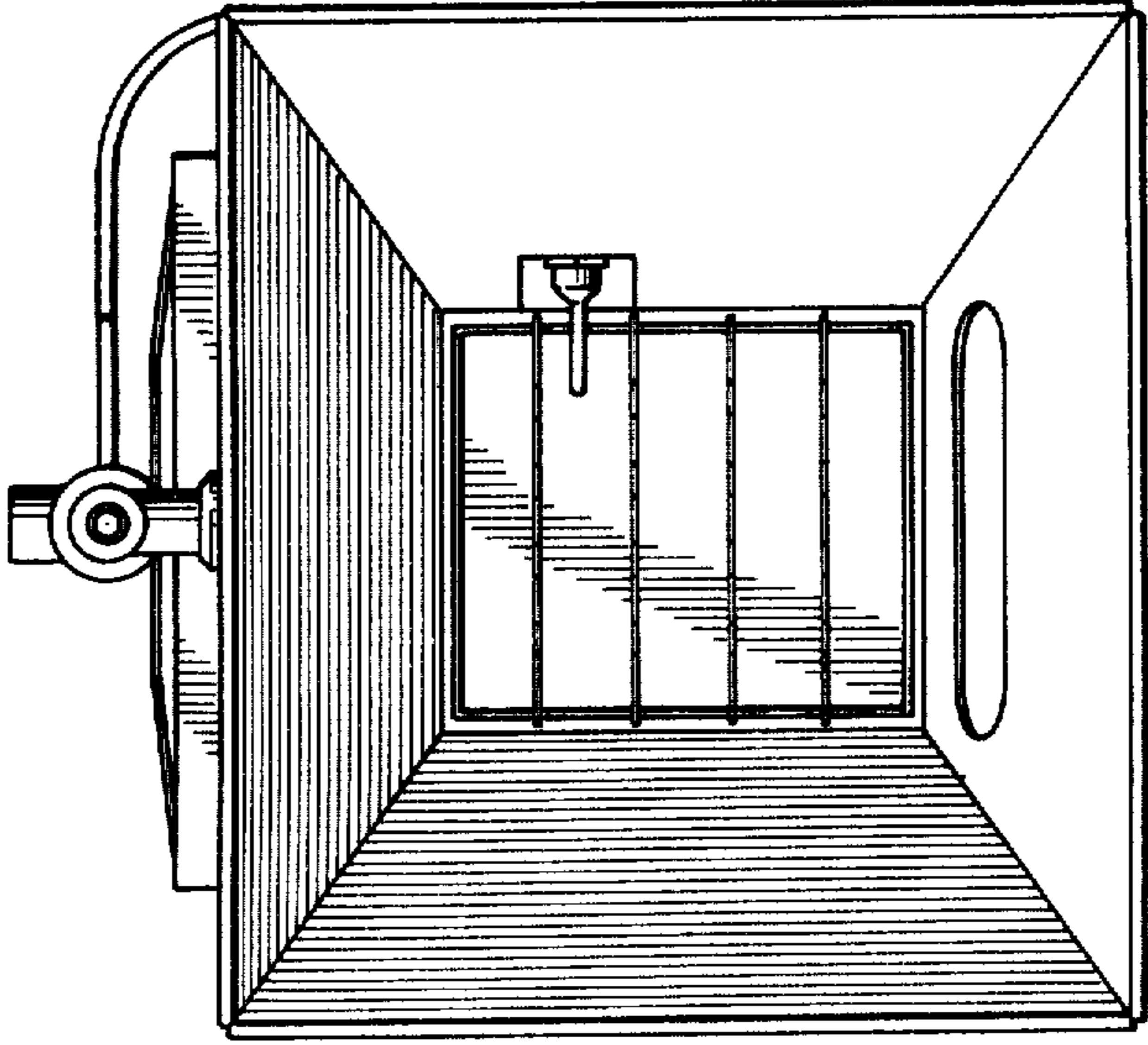


FIG. 5



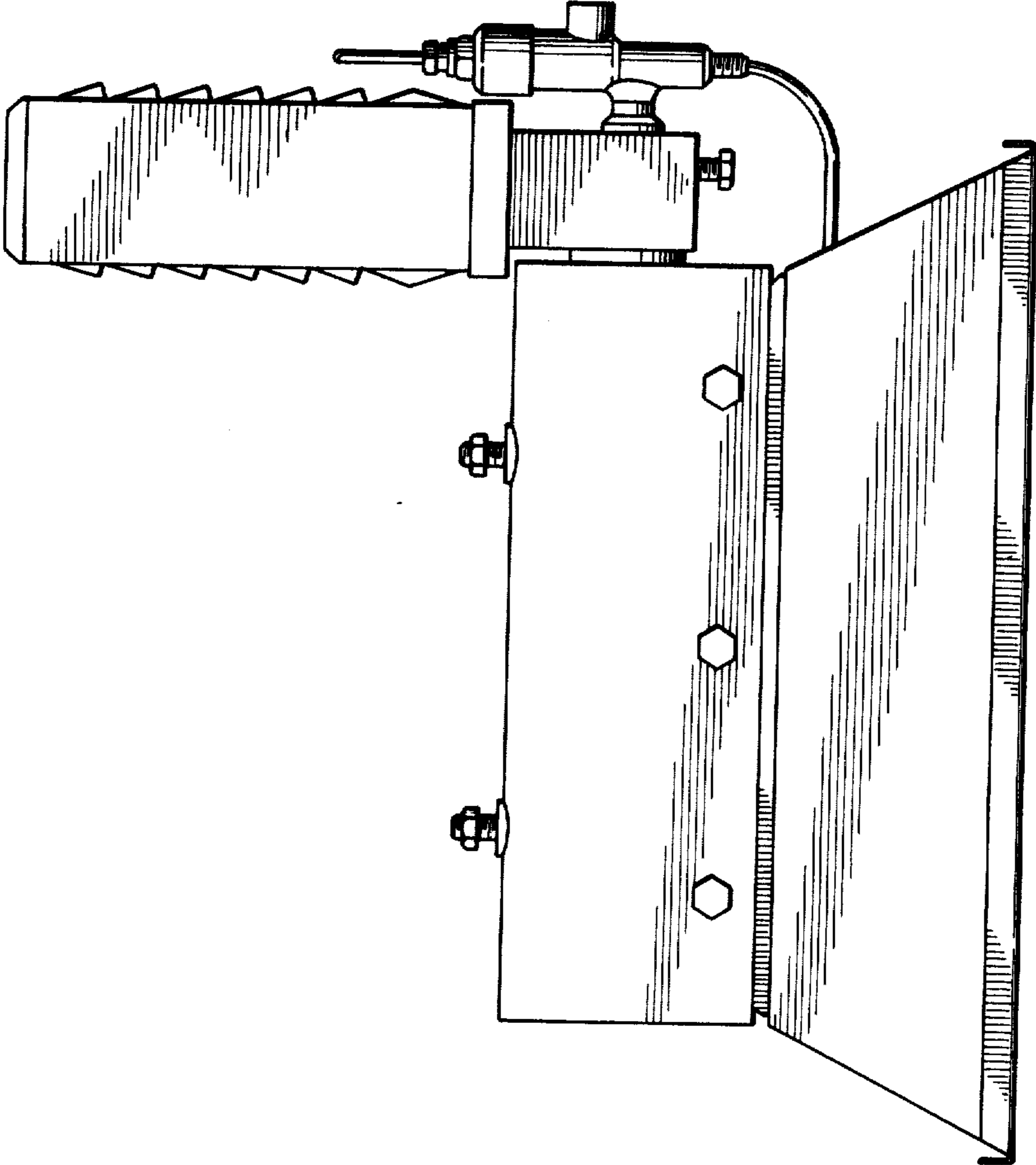


FIG. 8

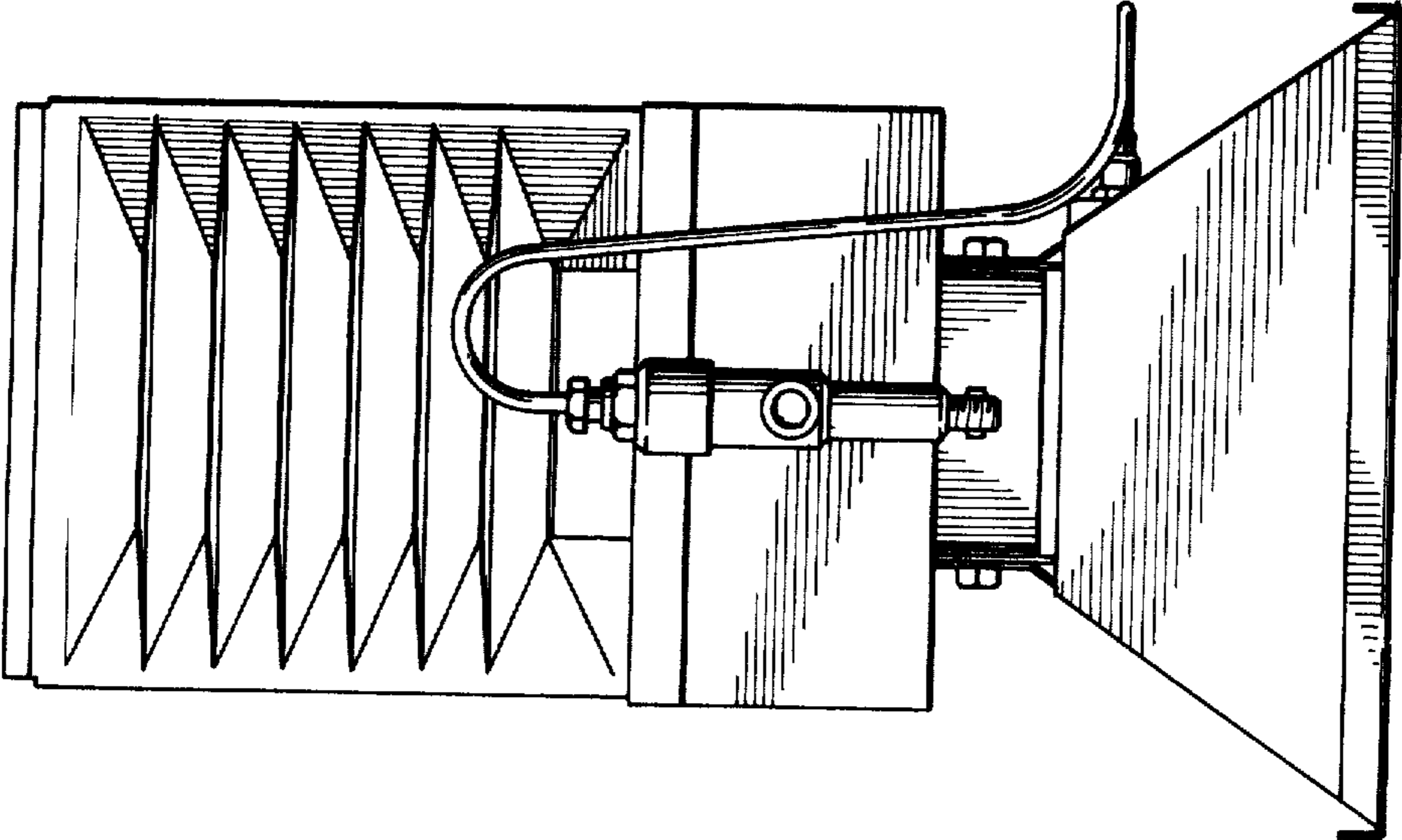


FIG. 7

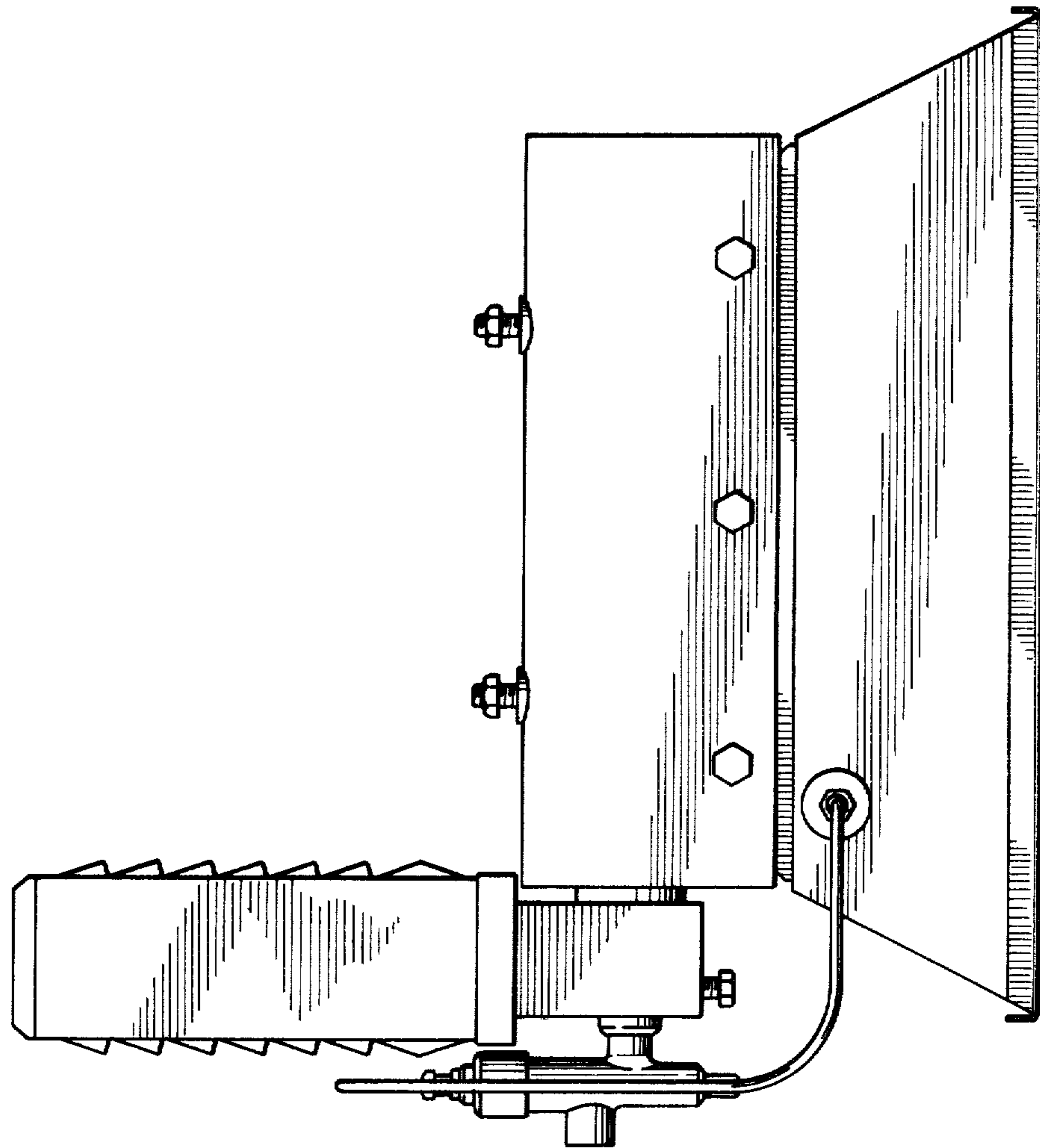


FIG. 10

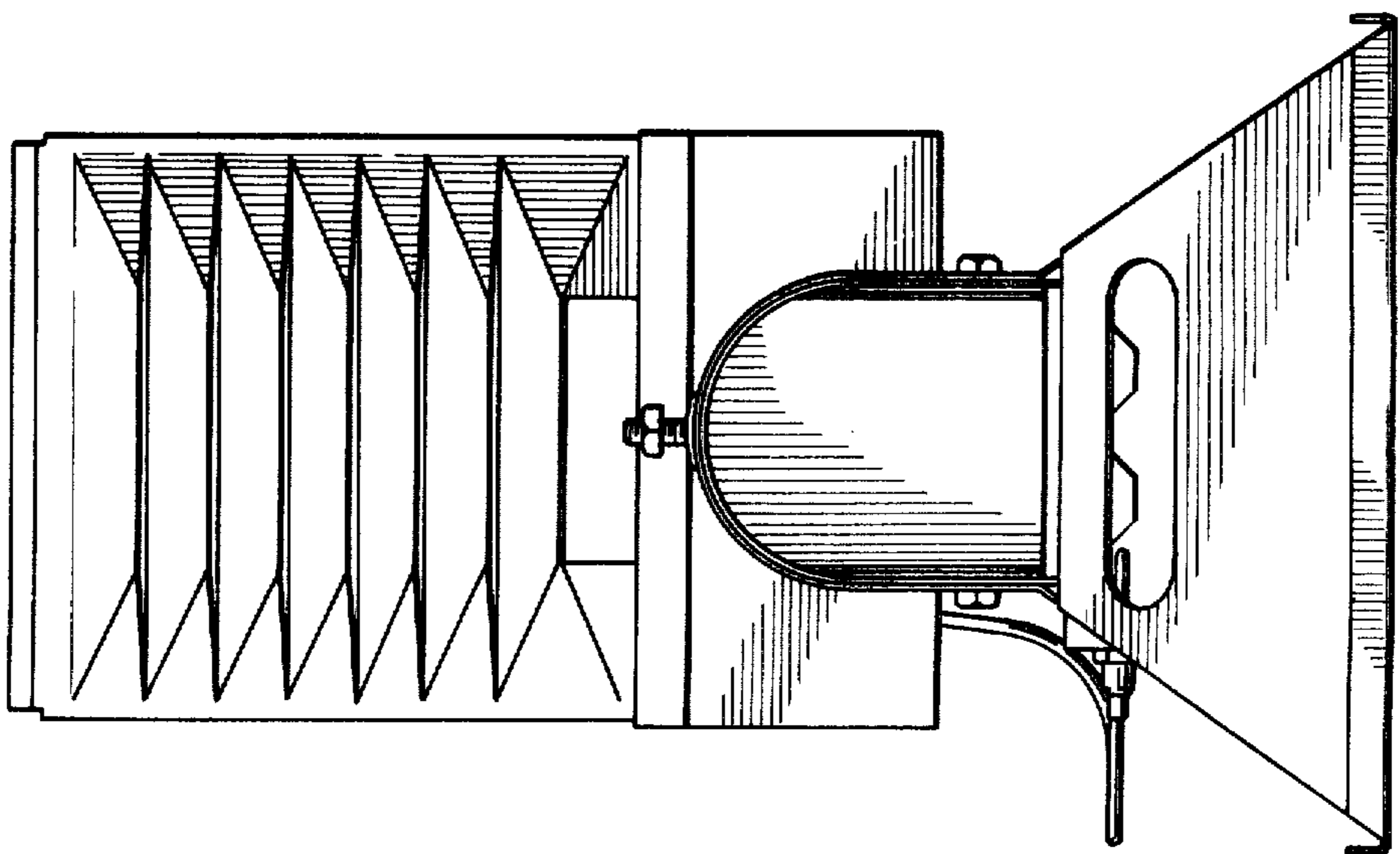


FIG. 9

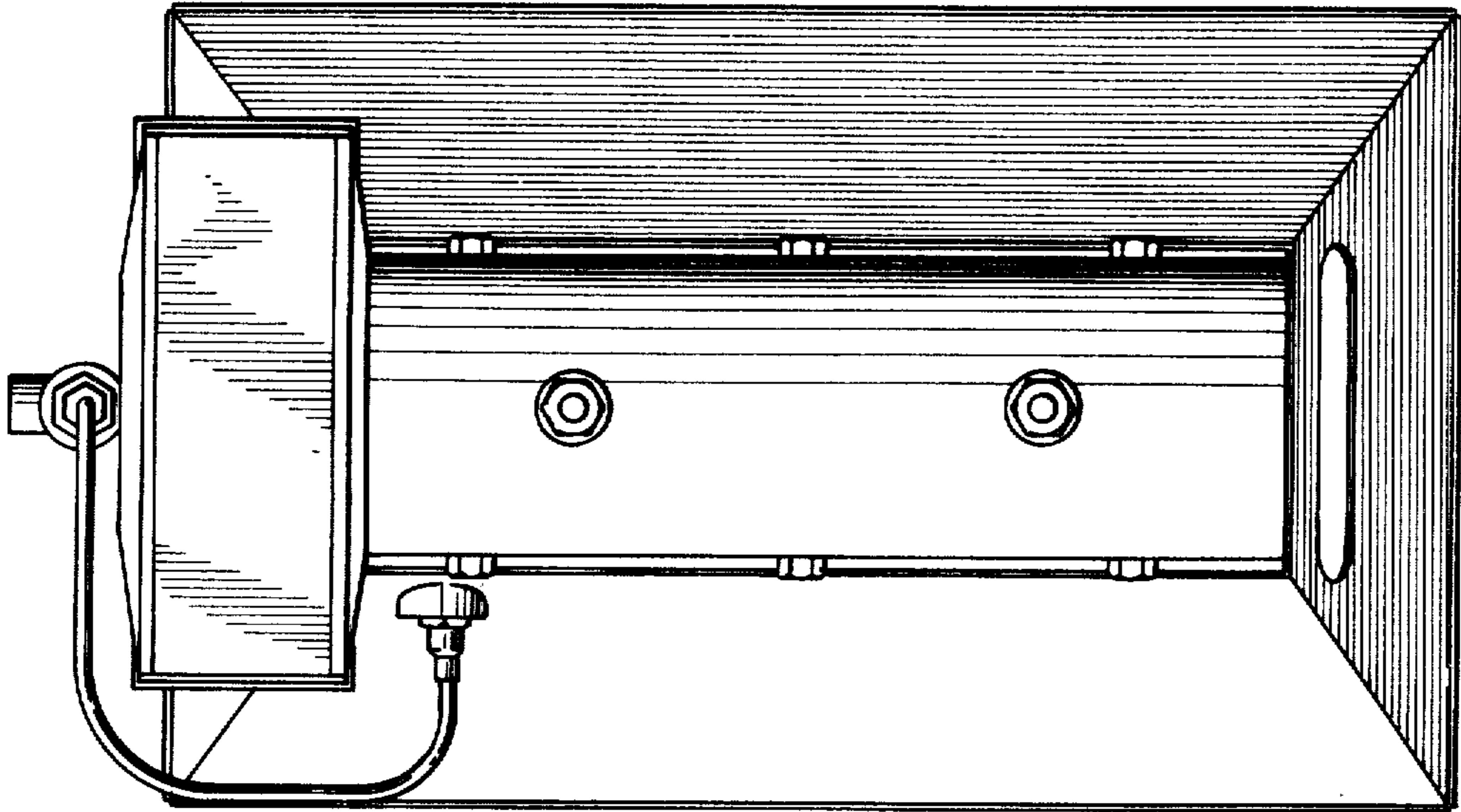


FIG. 12

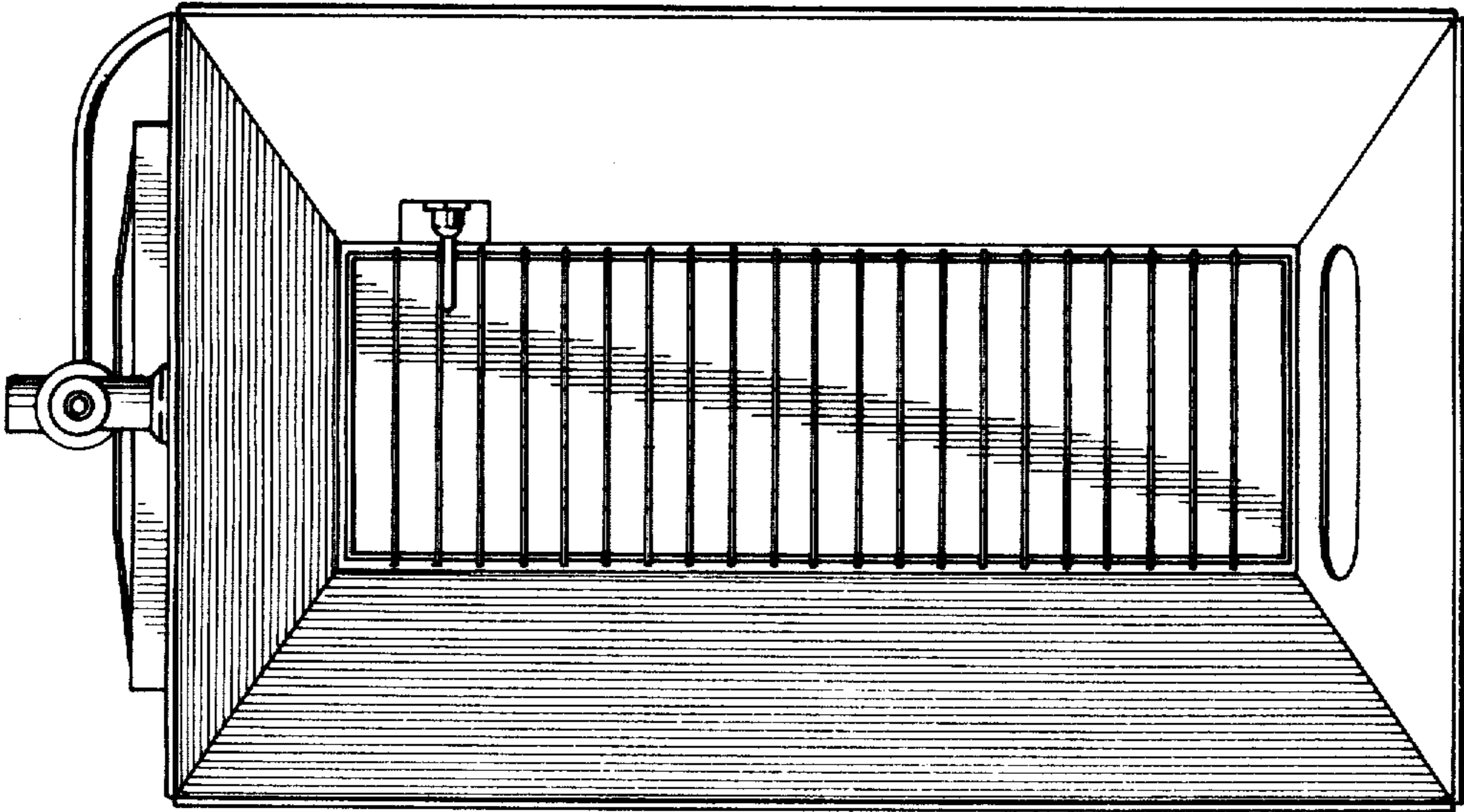


FIG. 11

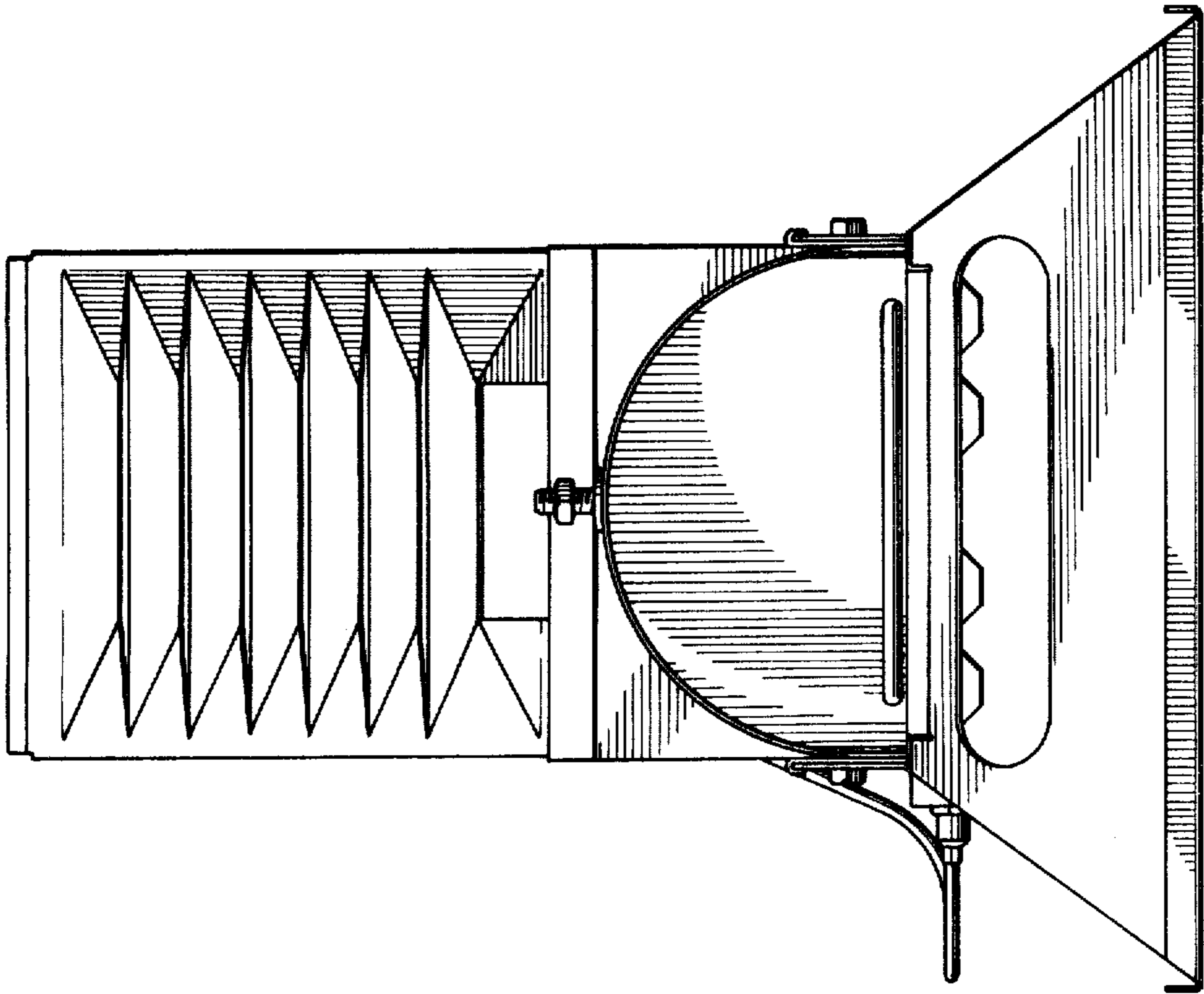


FIG. 15

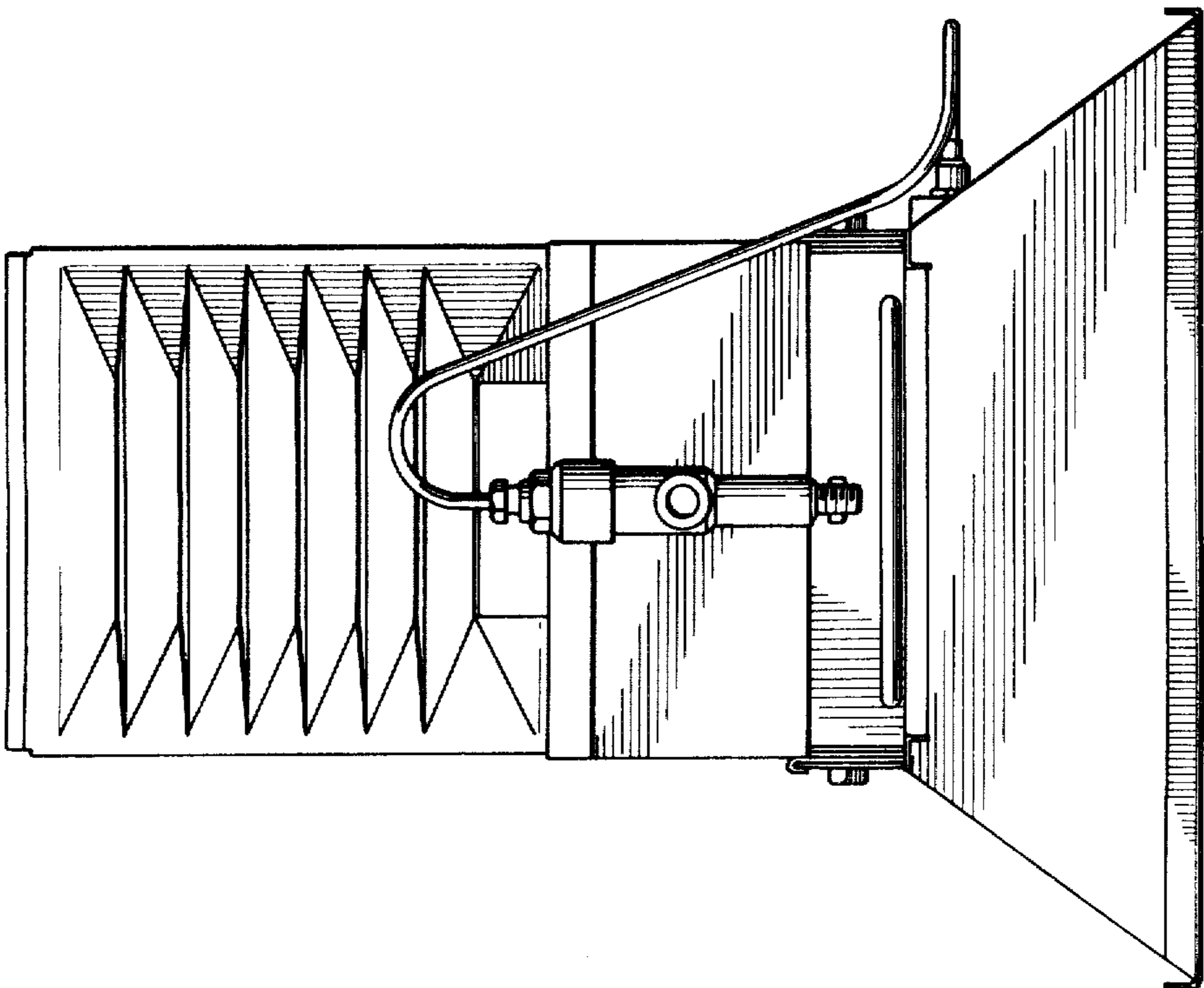


FIG. 13



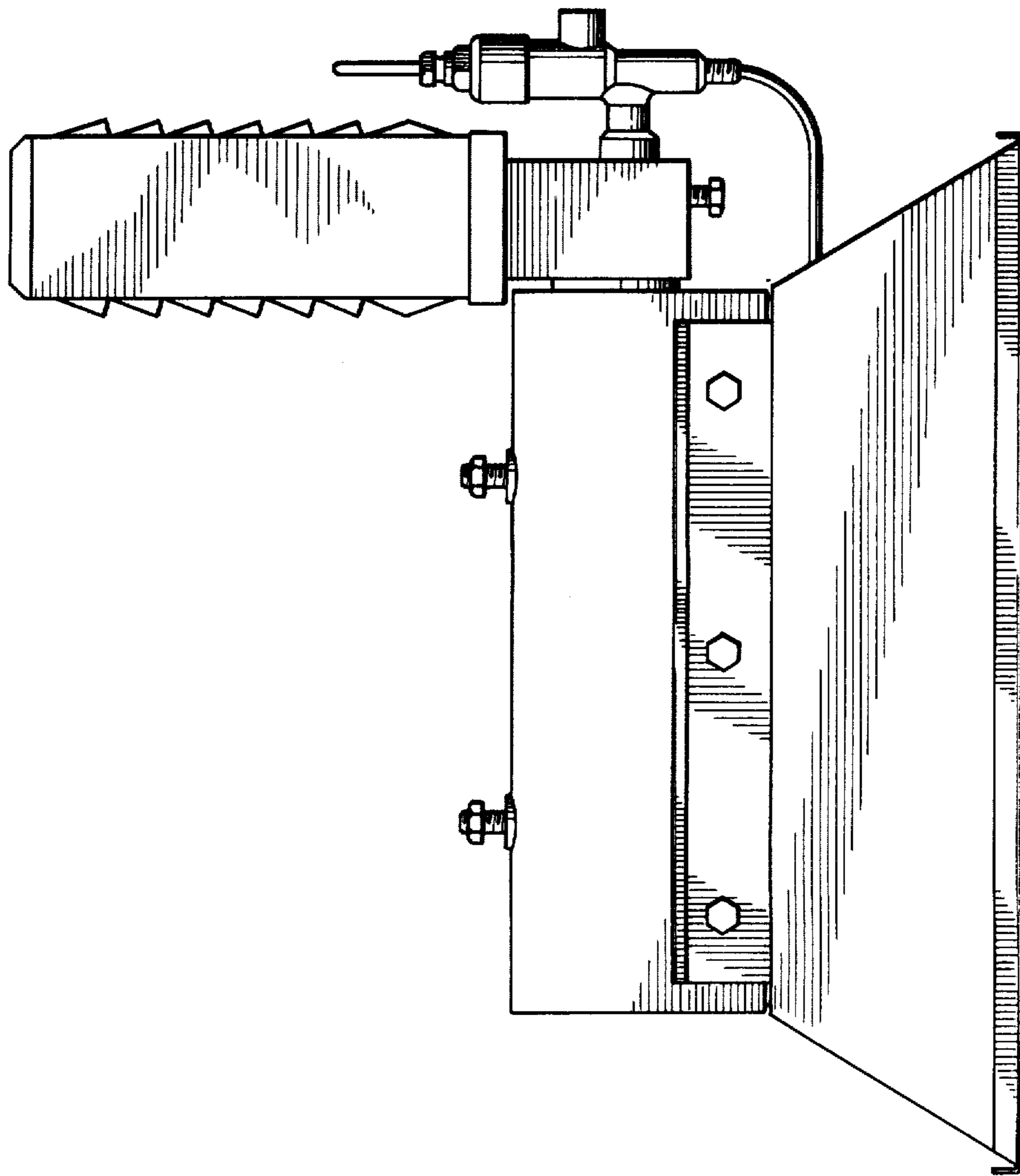


FIG. 14

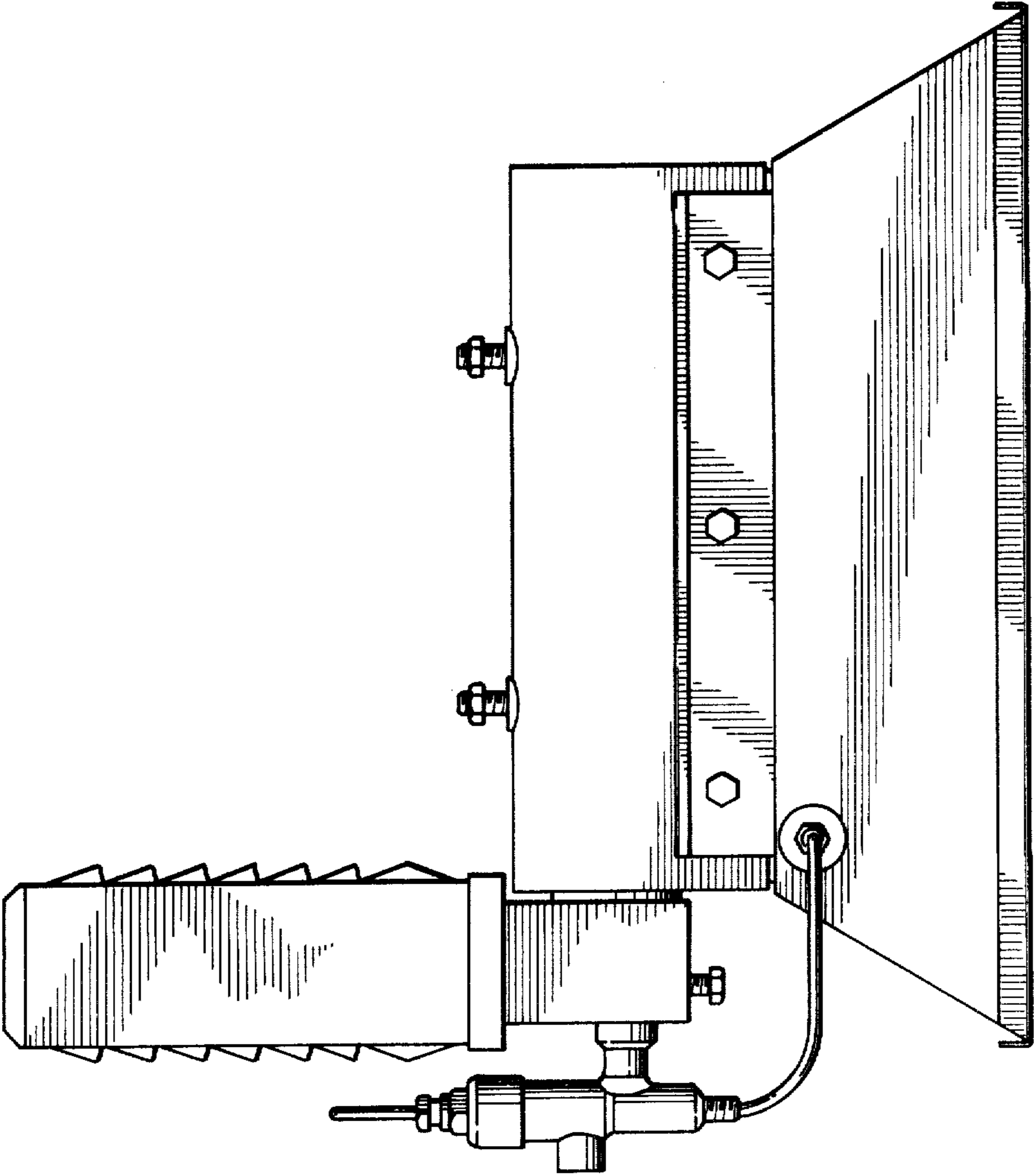
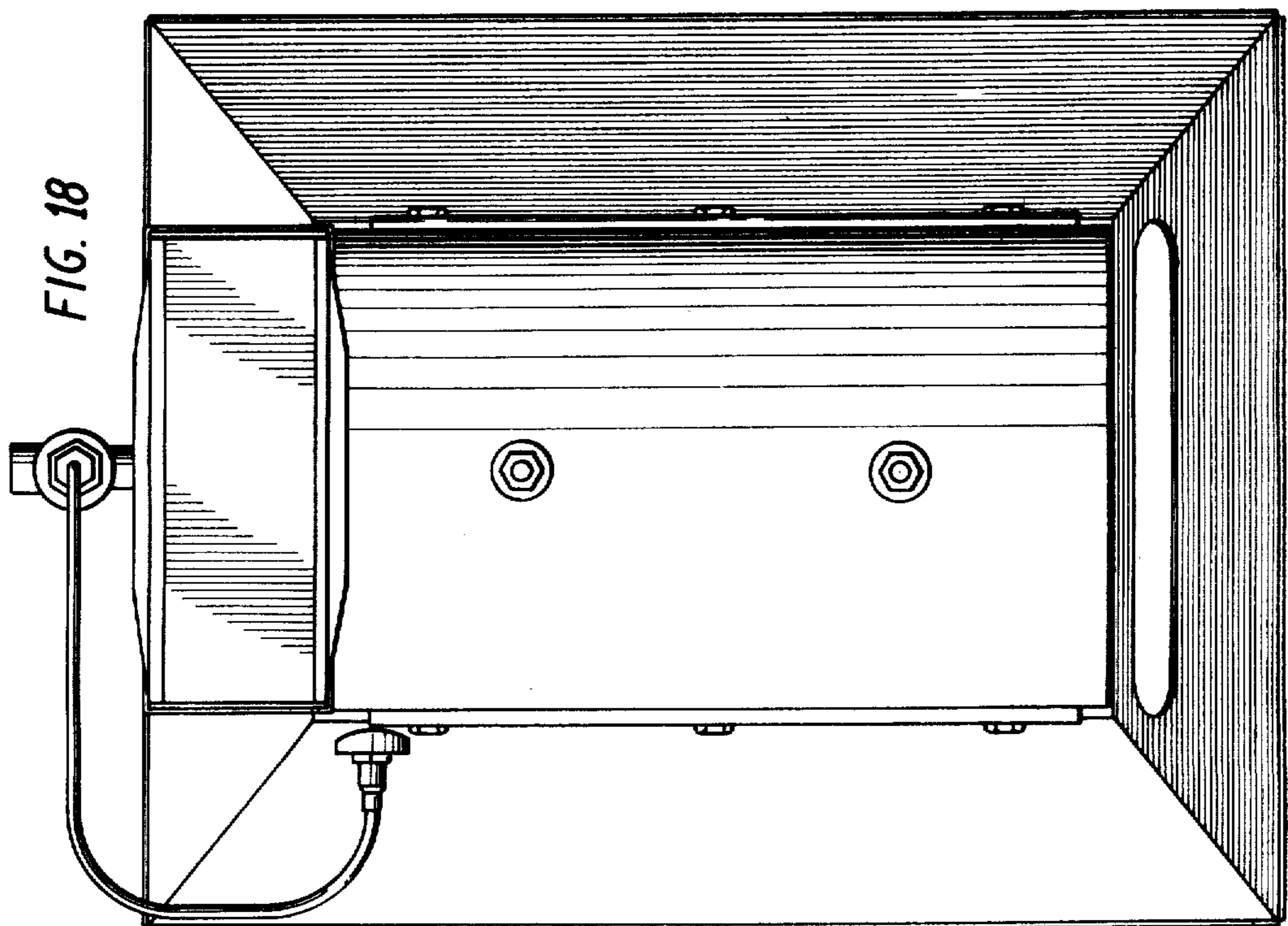
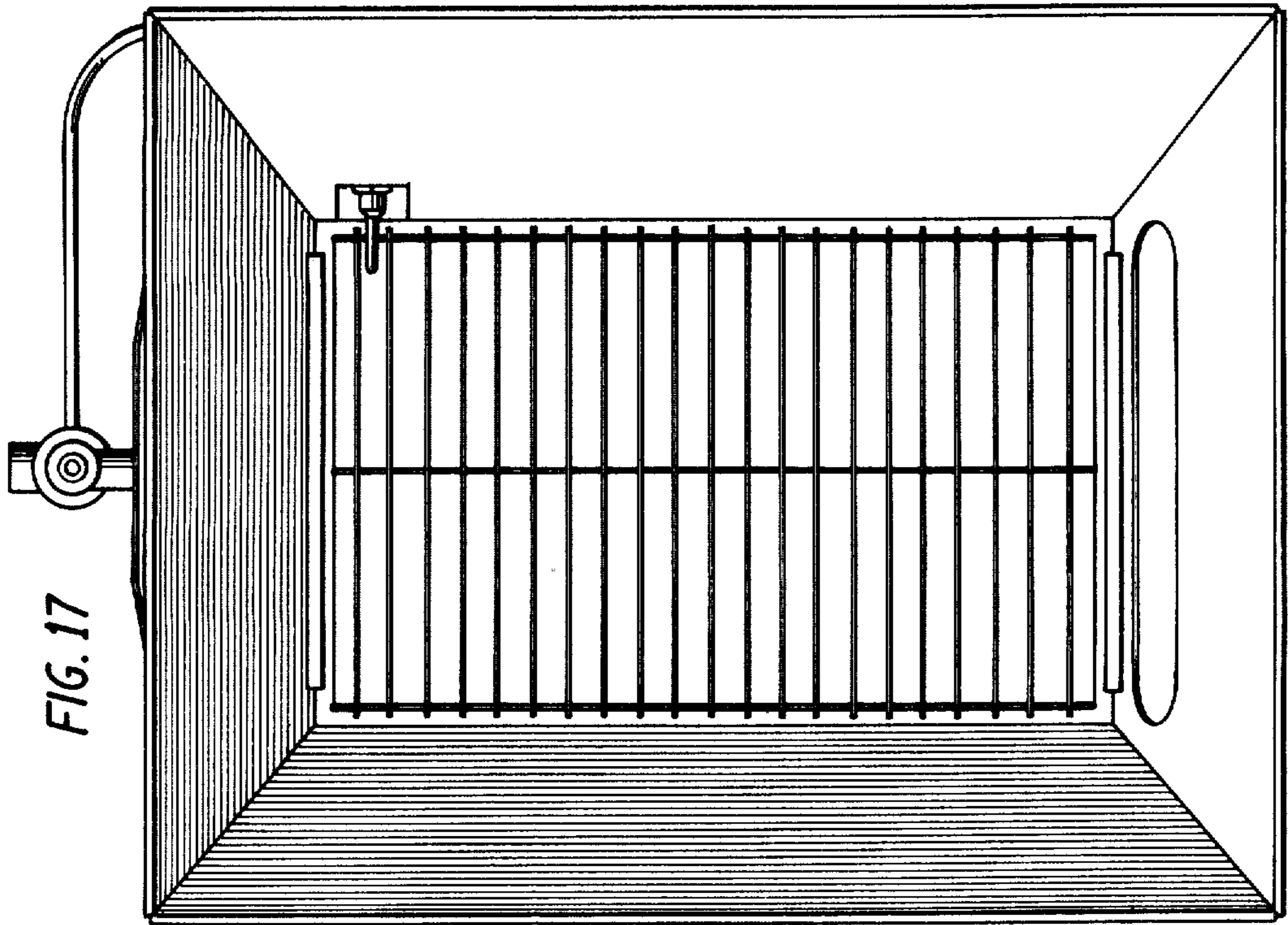


FIG. 16



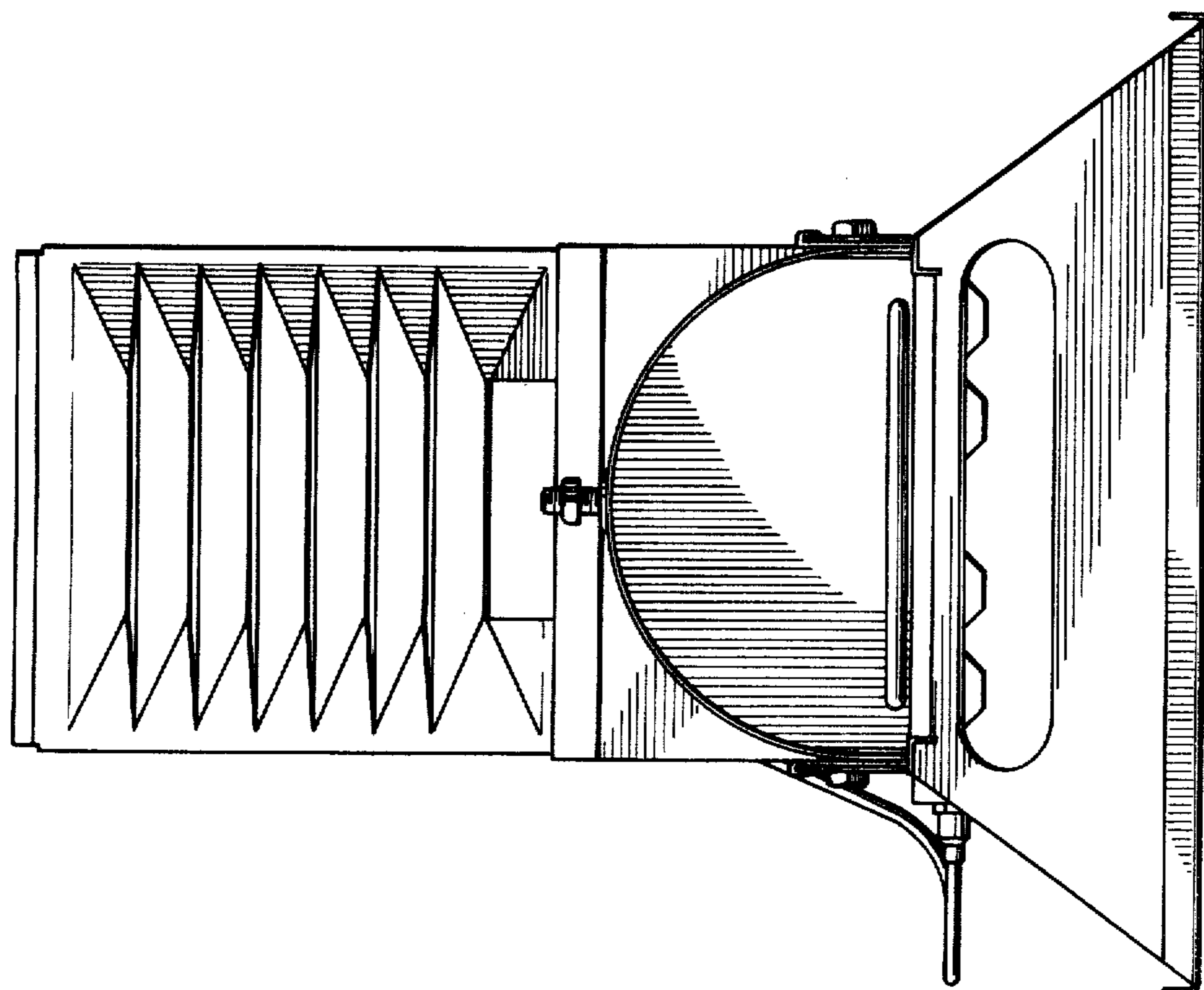


FIG. 21

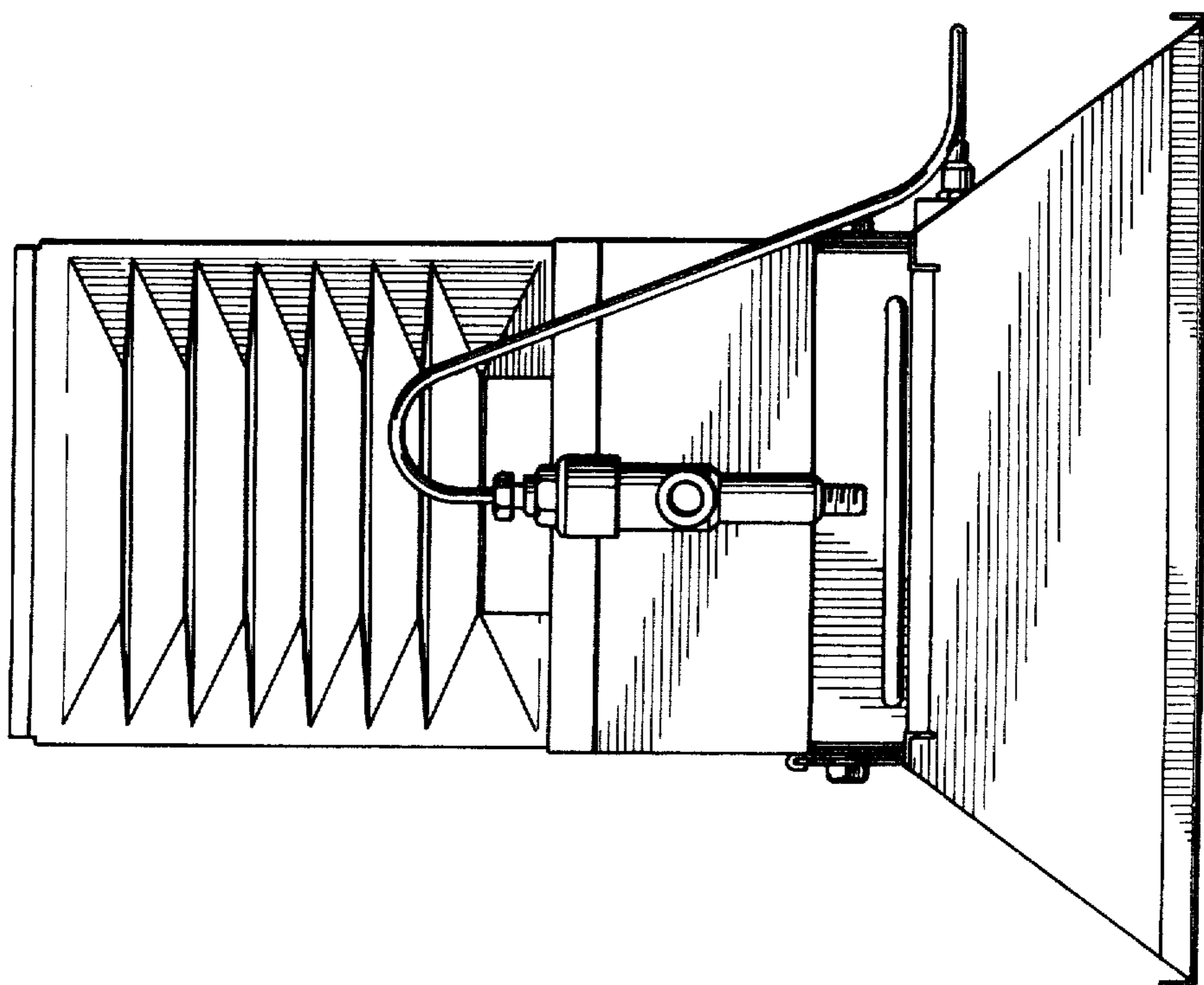


FIG. 19



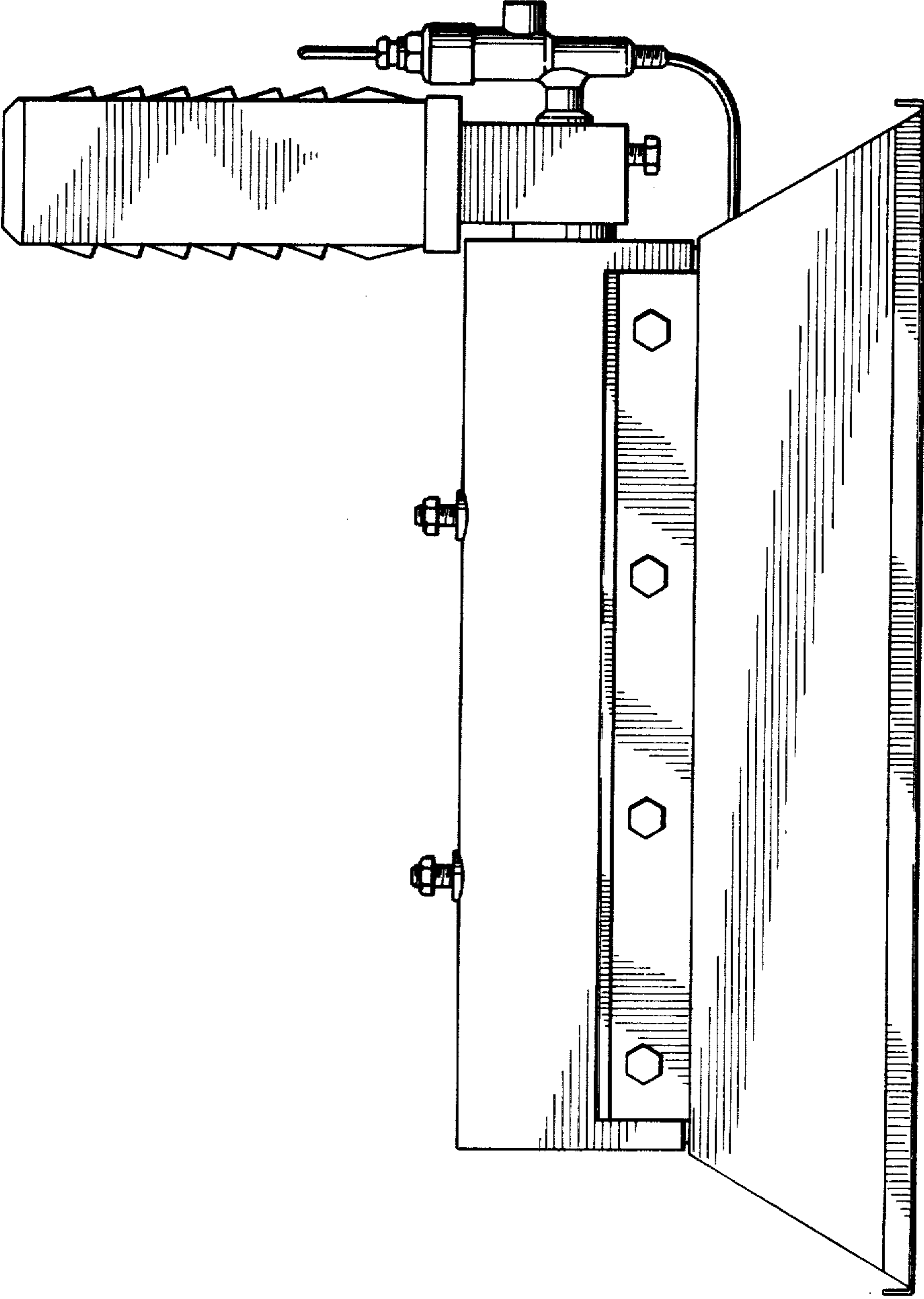


FIG. 20

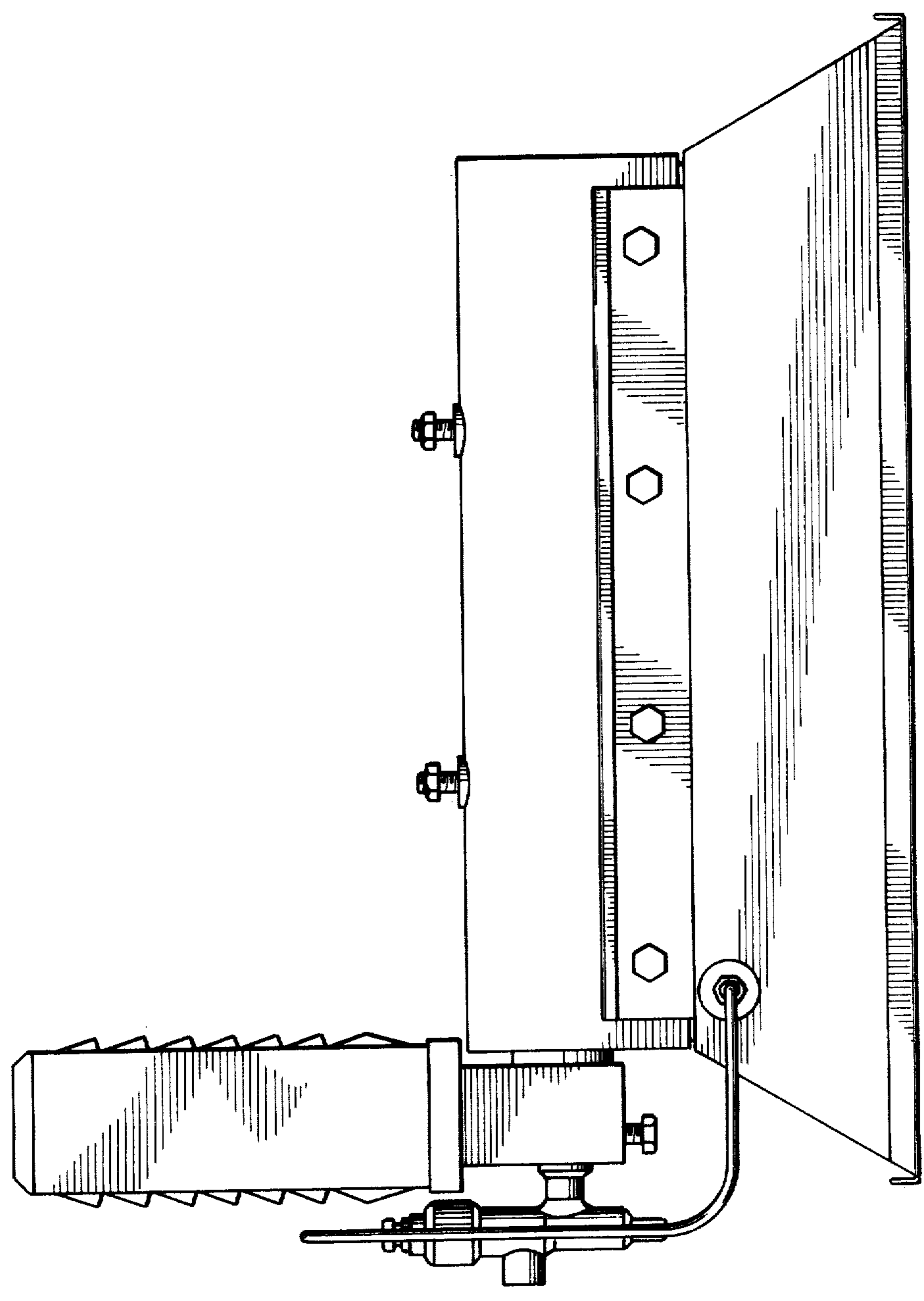


FIG. 22

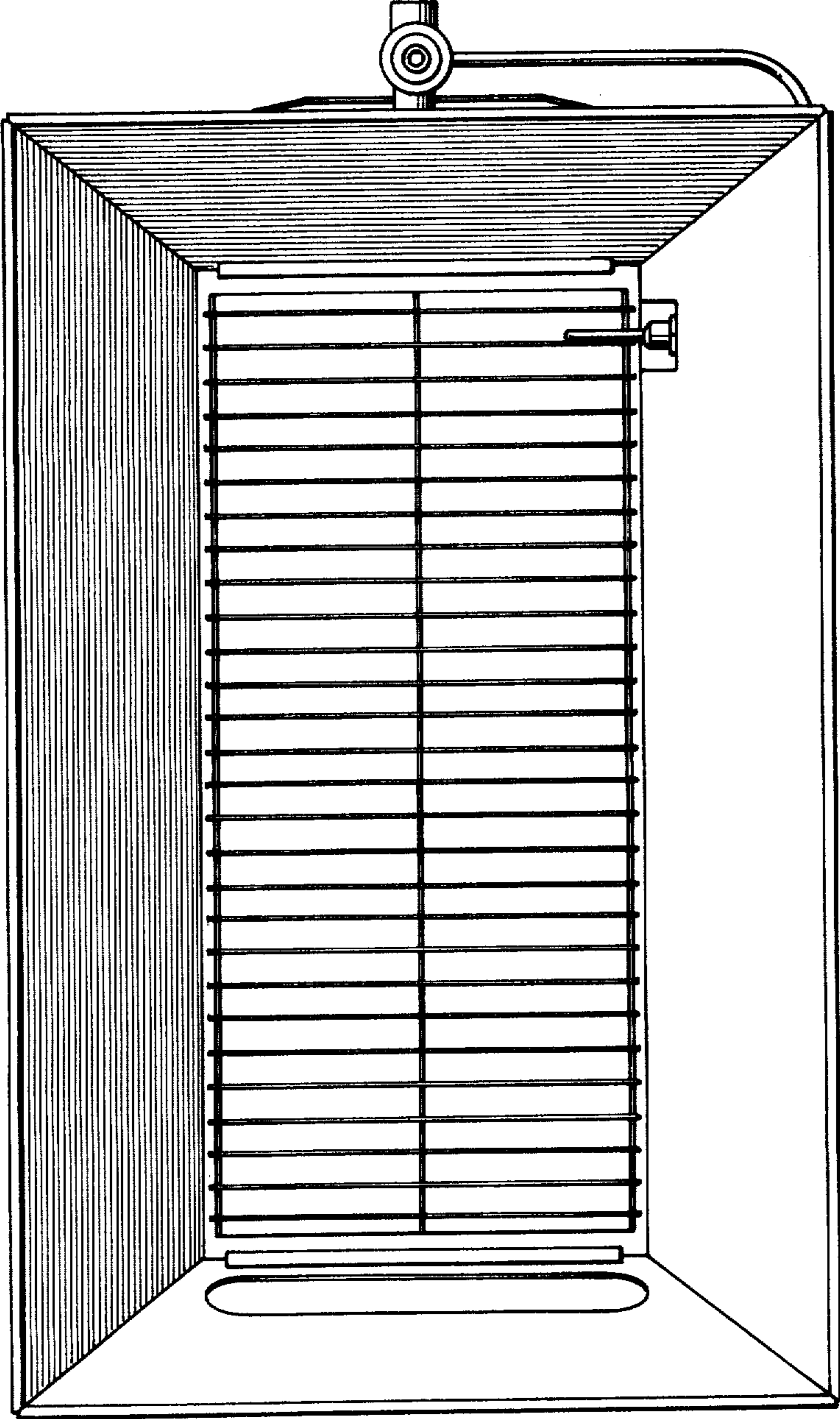


FIG. 23

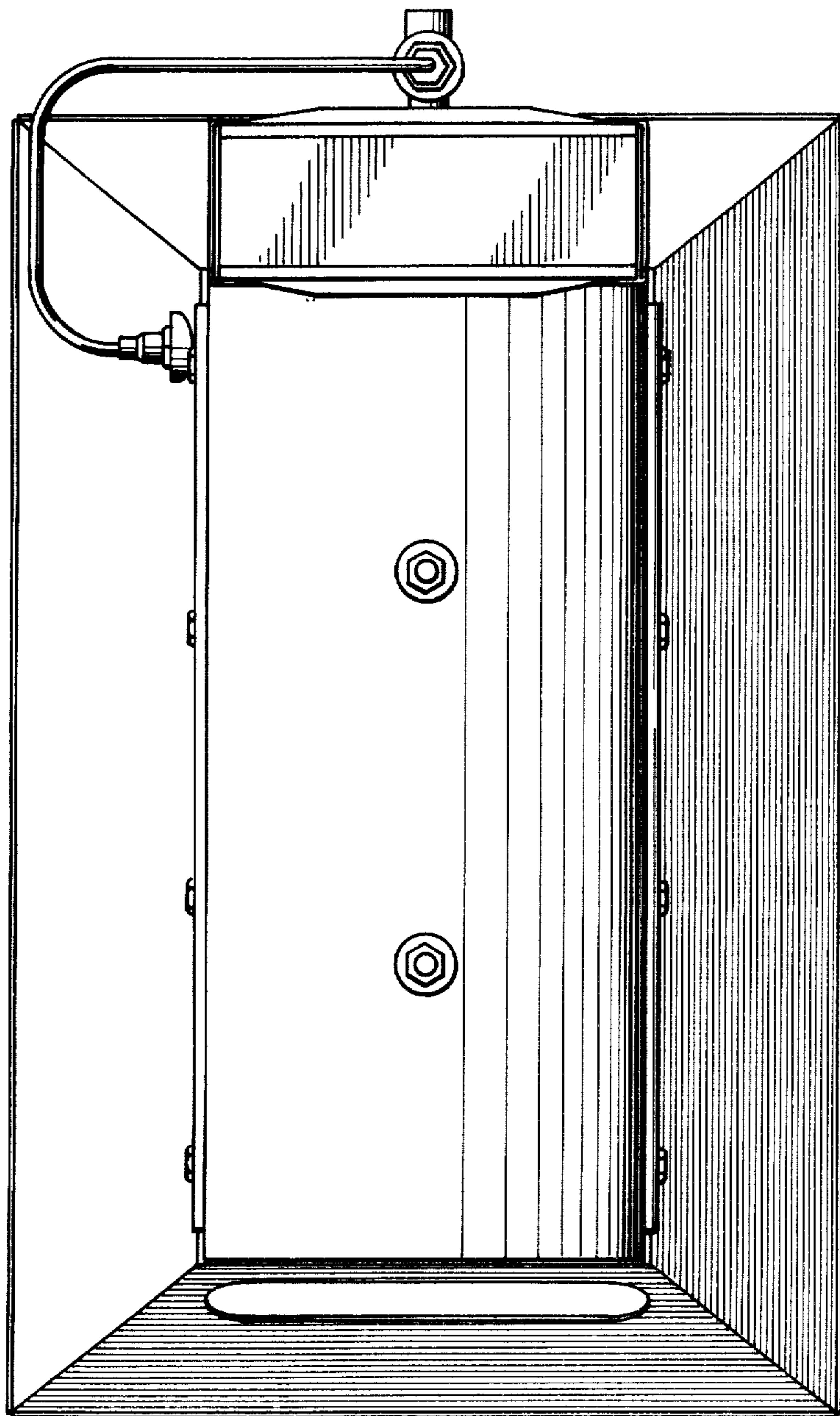


FIG. 24