

[54] BUILT-IN FIREPLACE UNIT

[76] Inventor: Gloria D. Hilker, 1109 S. Landmark Trail, Hopkins, Minn. 55343

[**] Term: 14 Years

[21] Appl. No.: 241,628

[22] Filed: Mar. 9, 1981

[51] Int. Cl. D23-03

[52] U.S. Cl. D23/94

[58] Field of Search D23/72, 92, 97; 126/120, 121, 123, 126

[56] References Cited

U.S. PATENT DOCUMENTS

- 4,131,105 12/1978 Moncrieff-Yeates 126/121
- 4,309,979 1/1982 Burch 126/120 X

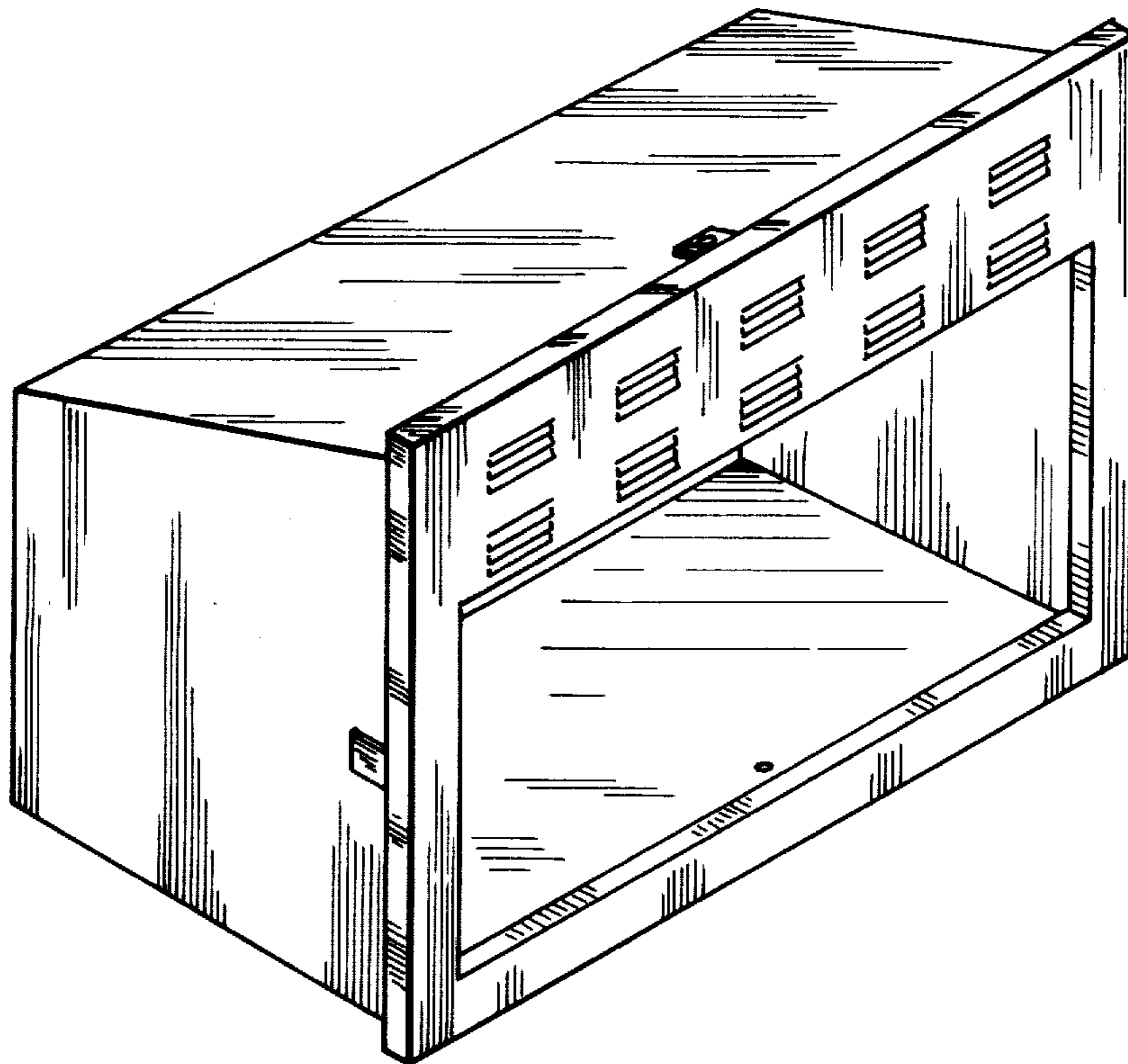
Primary Examiner—Catherine E. Kemper
Attorney, Agent, or Firm—Orrin M. Haugen; Thomas J. Nikolai

[57] CLAIM

The ornamental design for a built-in fireplace unit, substantially as shown and described.

DESCRIPTION

FIG. 1 is a top front perspective view of a built-in fireplace unit, showing my new design;
 FIG. 2 is a front elevational view thereof;
 FIG. 3 is a top plan view thereof;
 FIG. 4 is a bottom plan view thereof;
 FIG. 5 is an end view thereof, with the opposite end view being a mirror image of the view shown in FIG. 5; and
 FIG. 6 is a rear elevational view thereof.



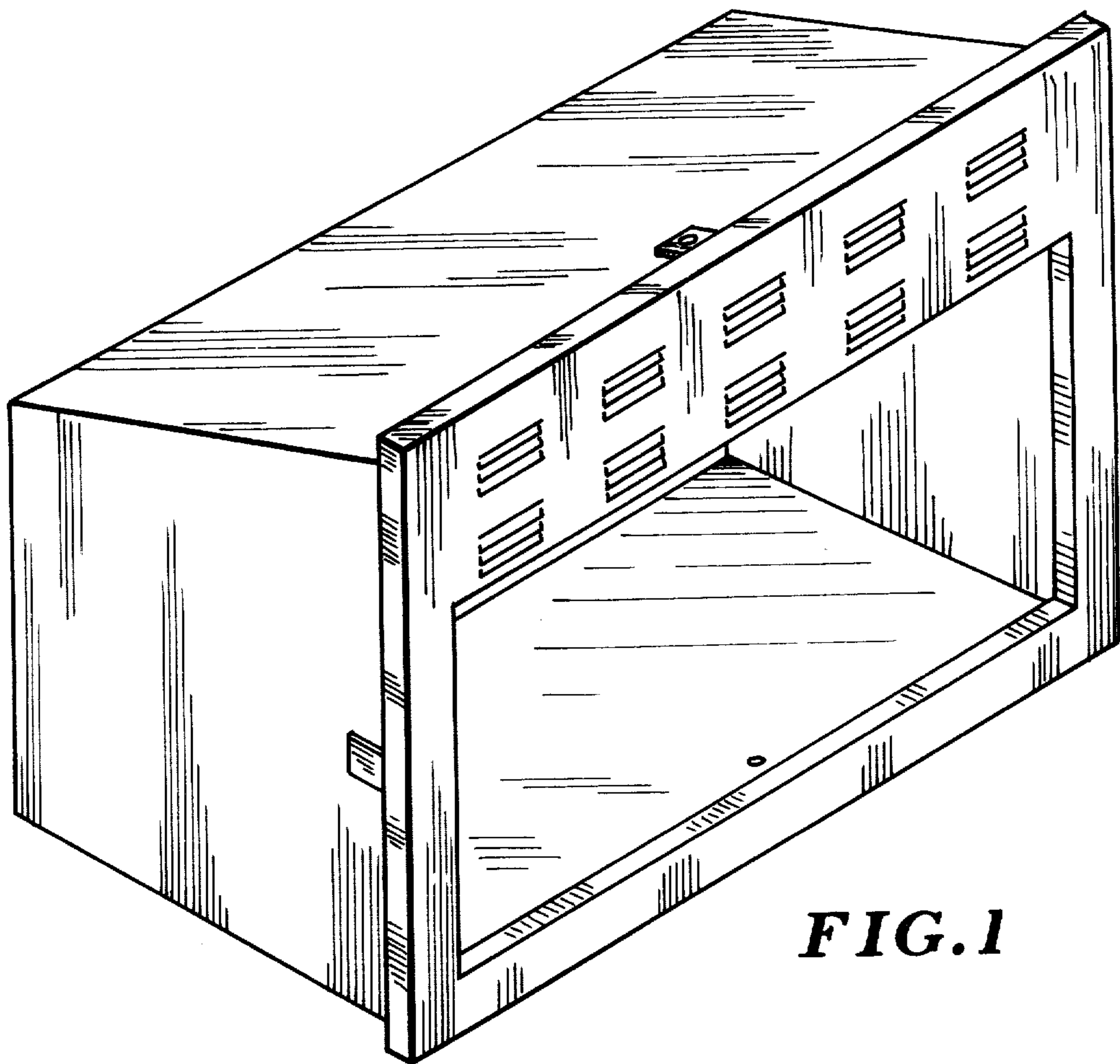


FIG. 1

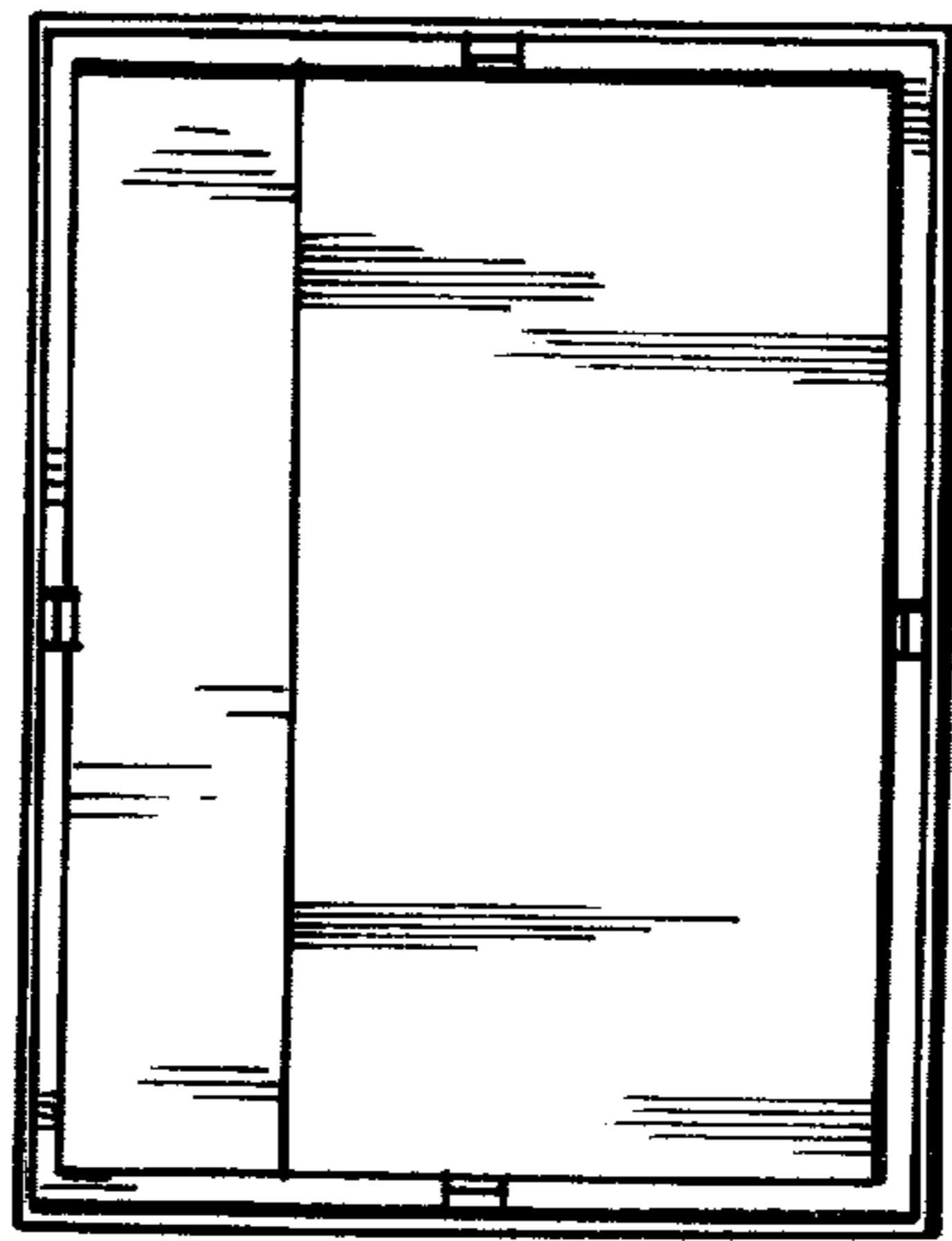


FIG. 6

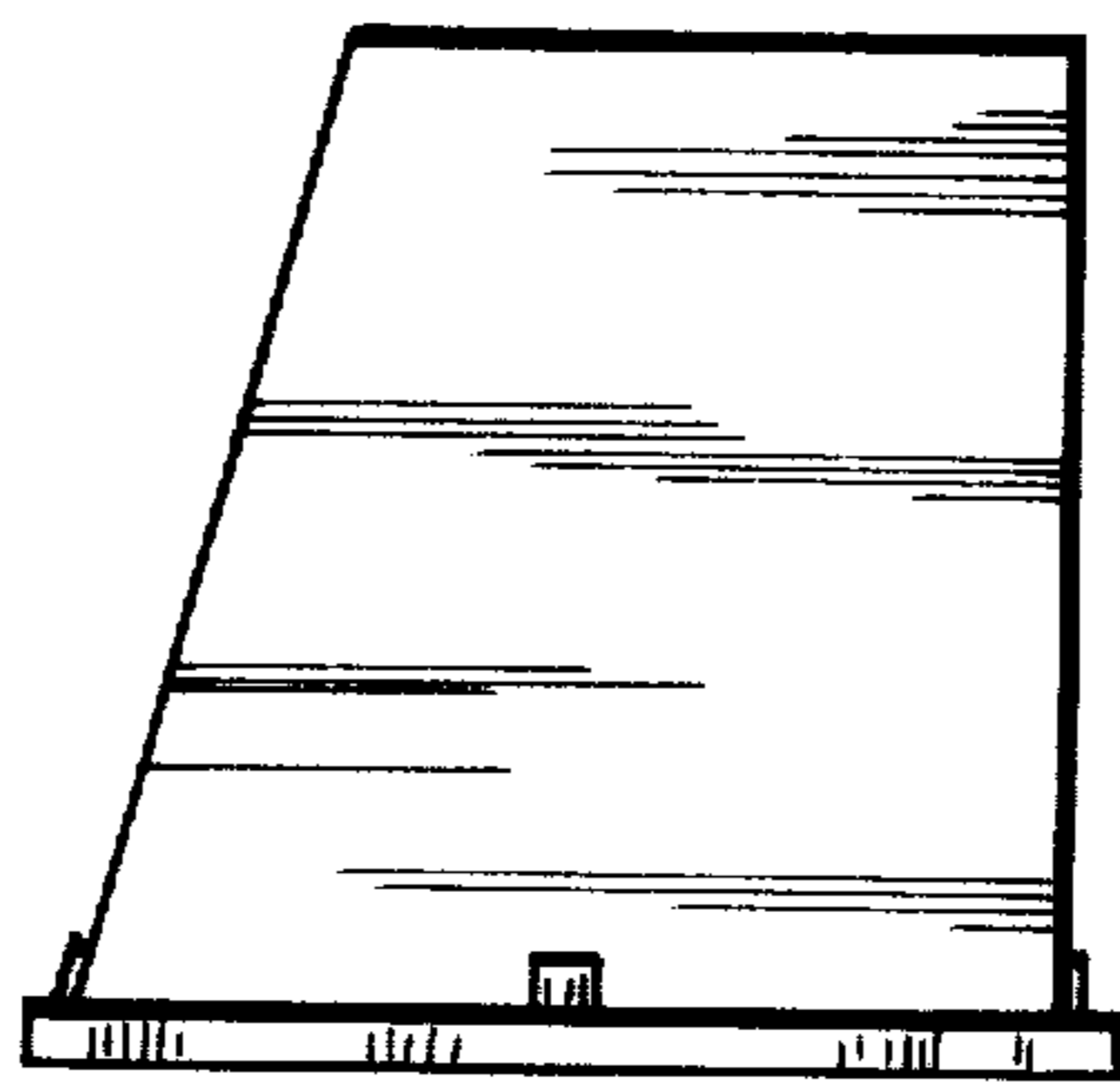


FIG. 5

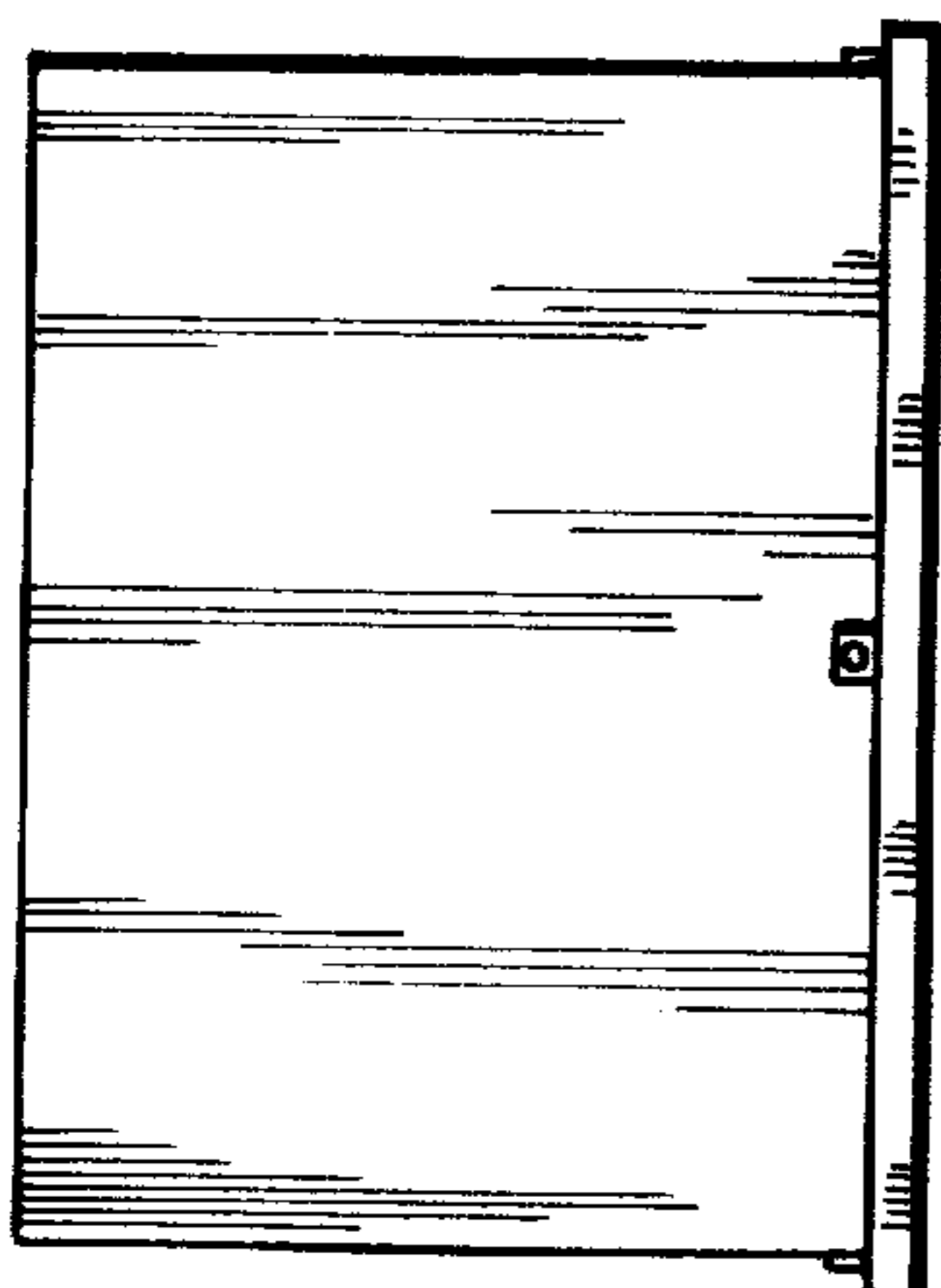


FIG. 3

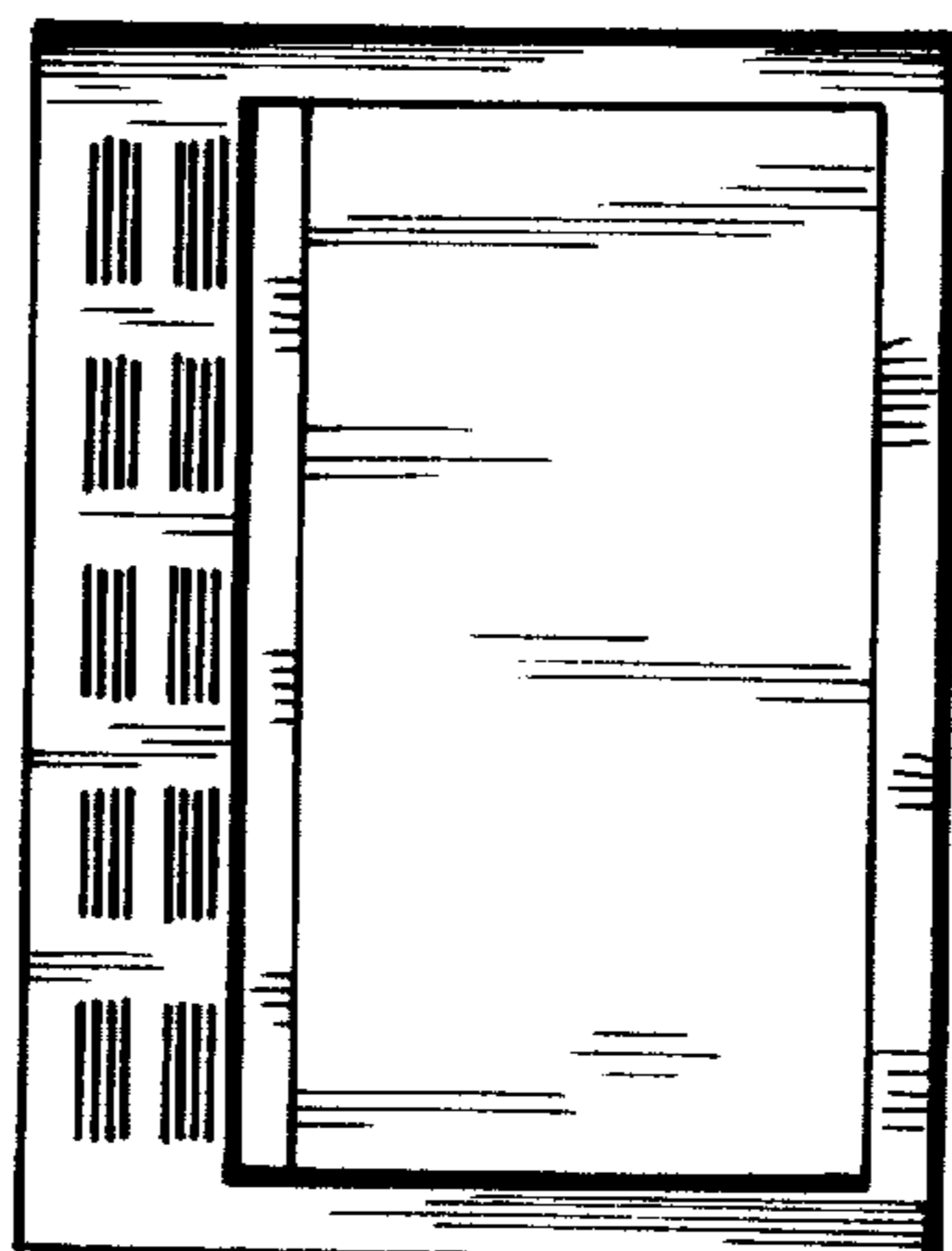


FIG. 2

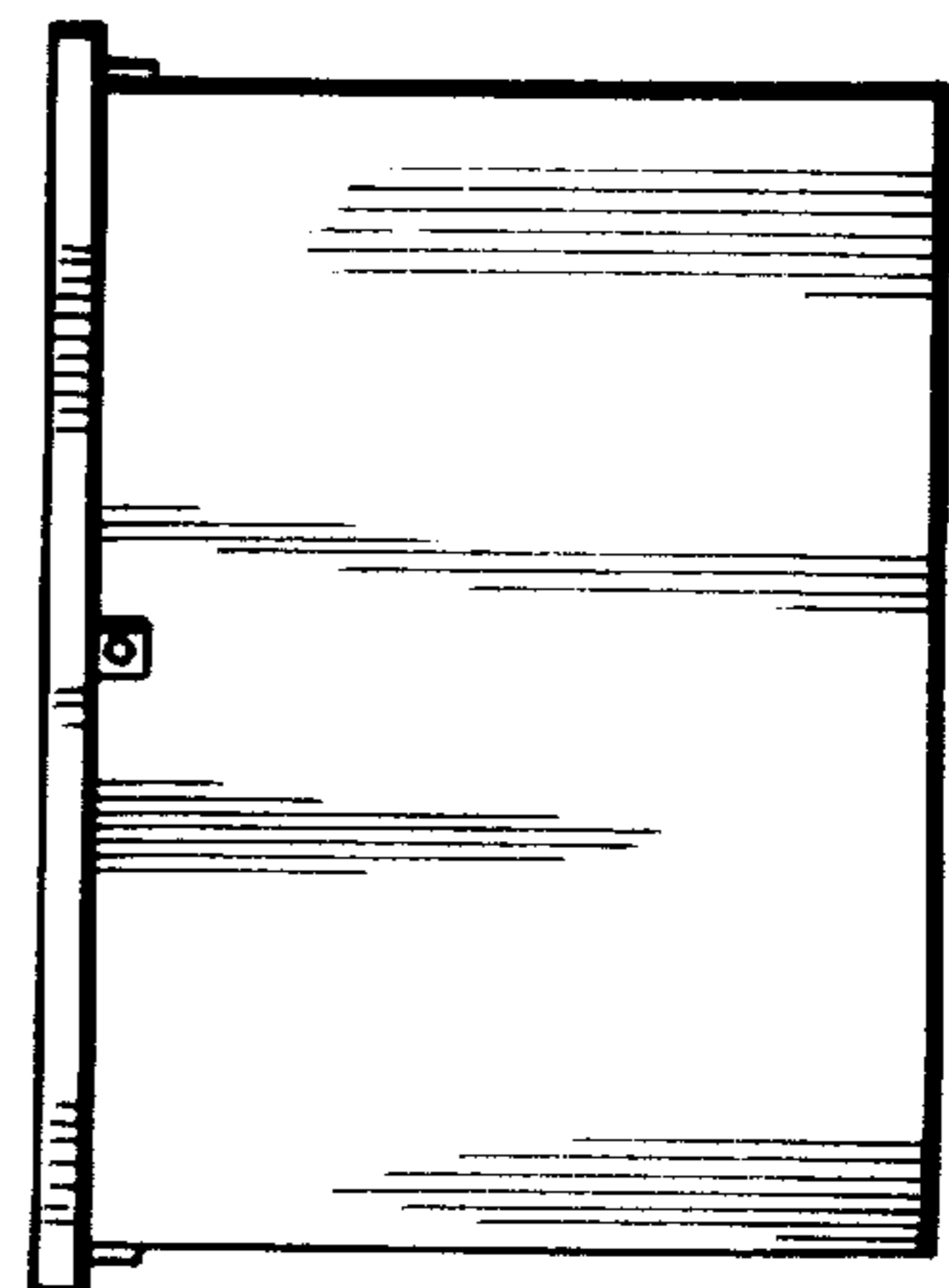


FIG. 4