

[54] SHOWERHEAD

[75] Inventors: **Spencer L. Mackay**, Canoga Park; **Frederick G. Mackay**; **Allan B. Johnson**, both of Tarzana, all of Calif.; **David W. Smith**, Ft. Collins, Colo.

[73] Assignee: **Teledyne Industries, Inc.**, Fort Collins, Colo.

[**] Term: **14 Years**

[21] Appl. No.: **193,960**

[22] Filed: **Oct. 6, 1980**

[51] Int. Cl. **D23-01**

[52] U.S. Cl. **D23/35**

[58] Field of Search **D23/34-38;**
239/282, 283, 310, 318, 380-383, 443-449, 499,
525, 529, 548, 551, 552, 556, 558-560, 563, 564,
567, 568, 586-580

[56] References Cited

U.S. PATENT DOCUMENTS

D. 118,419	1/1940	Rockwood	D23/35
D. 235,445	6/1975	MacKay	D23/35
D. 235,997	7/1975	Johnson	D23/35
3,762,648	10/1973	Deines et al.	239/383
3,865,310	2/1975	Elkins	239/283
3,958,756	5/1976	Trenary et al.	239/444 X
4,084,271	4/1978	Ginsberg	4/524
4,219,160	8/1980	Allred, Jr.	239/447
4,303,201	12/1981	Elkins et al.	239/447 X

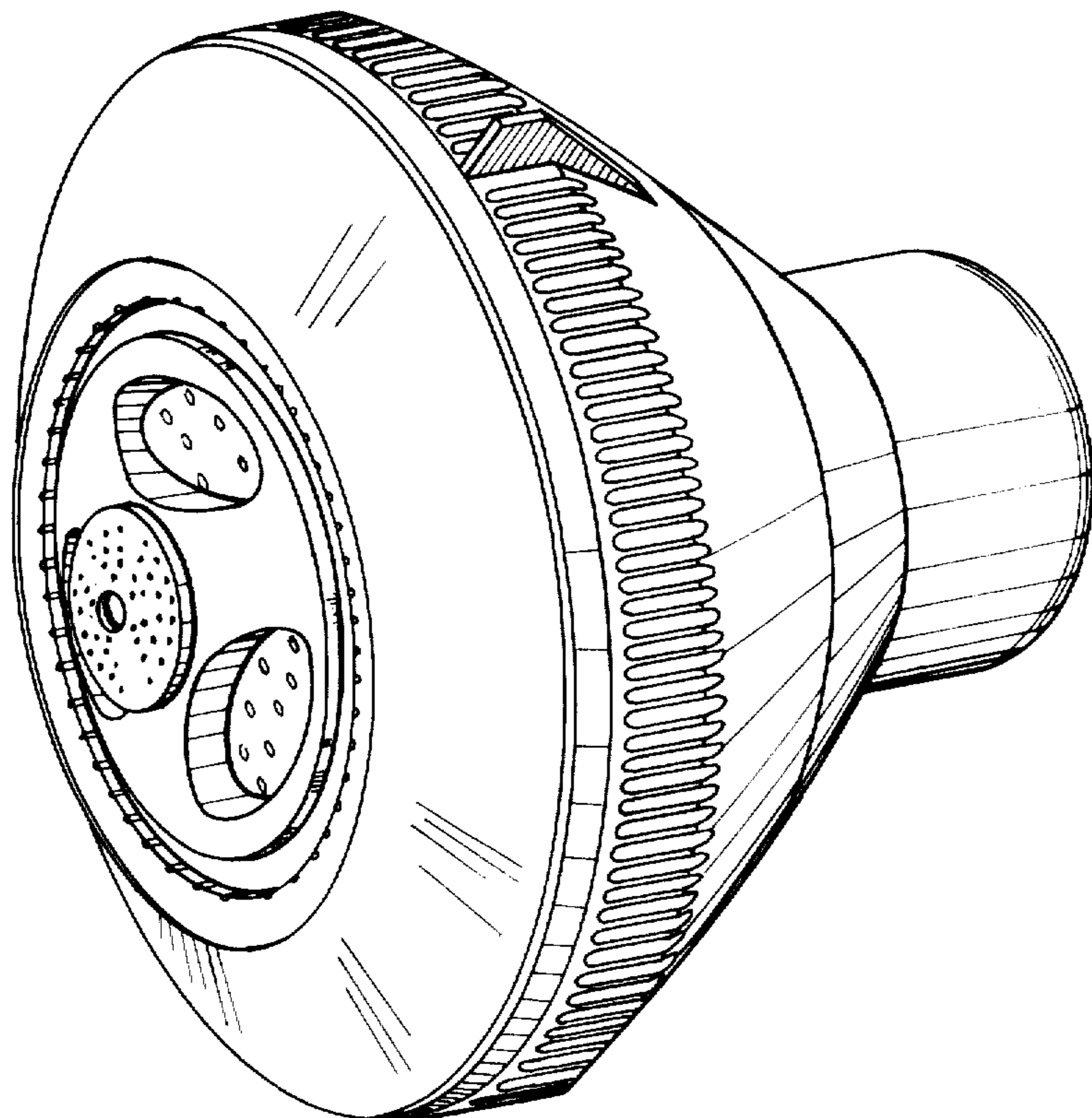
Primary Examiner—James R. Largen
Attorney, Agent, or Firm—Hugh H. Drake

[57] CLAIM

The ornamental design for a showerhead, as shown and described.

DESCRIPTION

FIG. 1 is an isometric view of a showerhead embodying the new design;
FIG. 2 is a side elevational view thereof, the other side elevational view being a mirror image of FIG. 2;
FIG. 3 is a top plan view thereof;
FIG. 4 is a bottom plan view thereof;
FIG. 5 is a front elevational view thereof; and
FIG. 6 is a rear elevational view thereof.



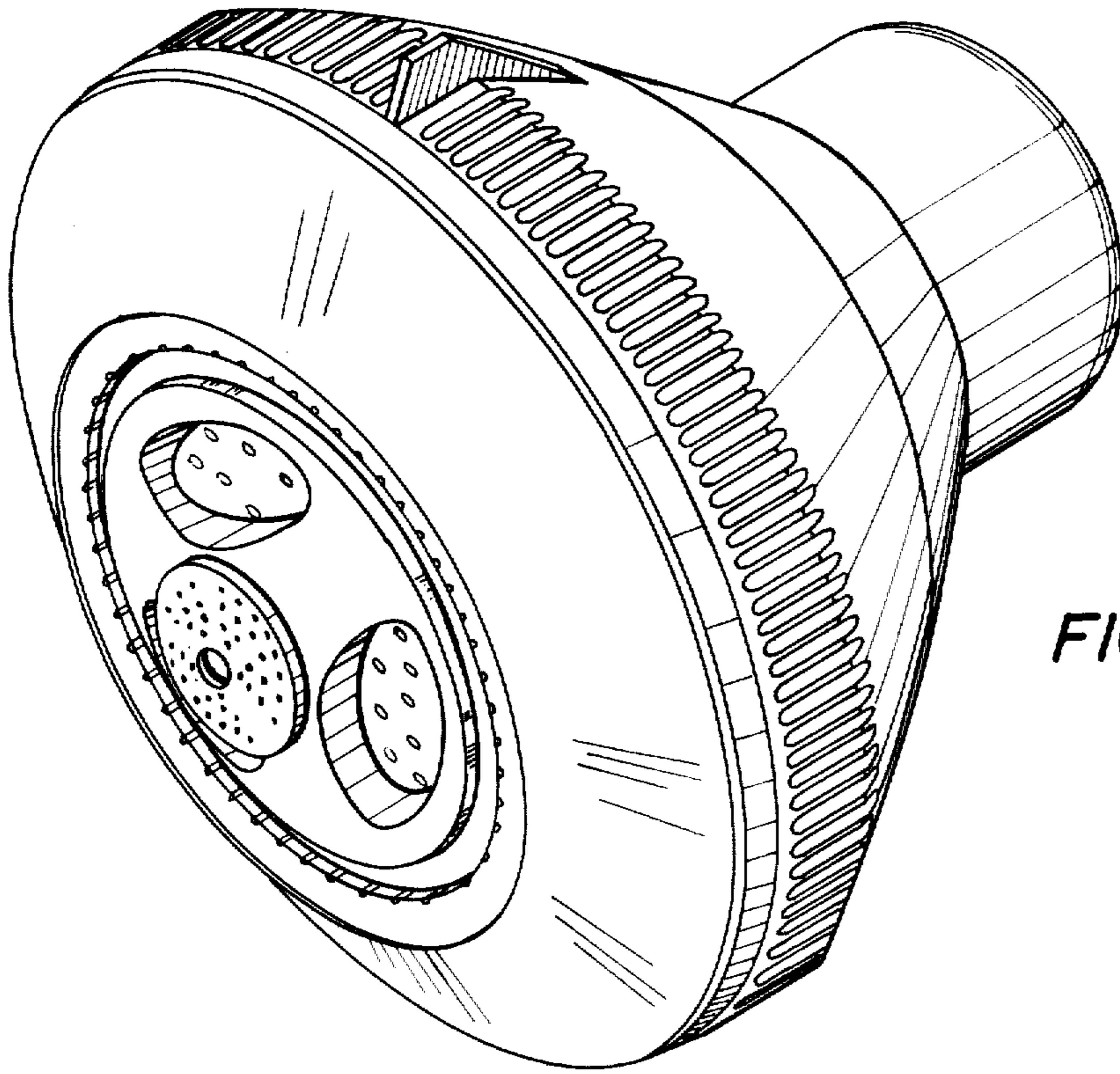


FIG. 1

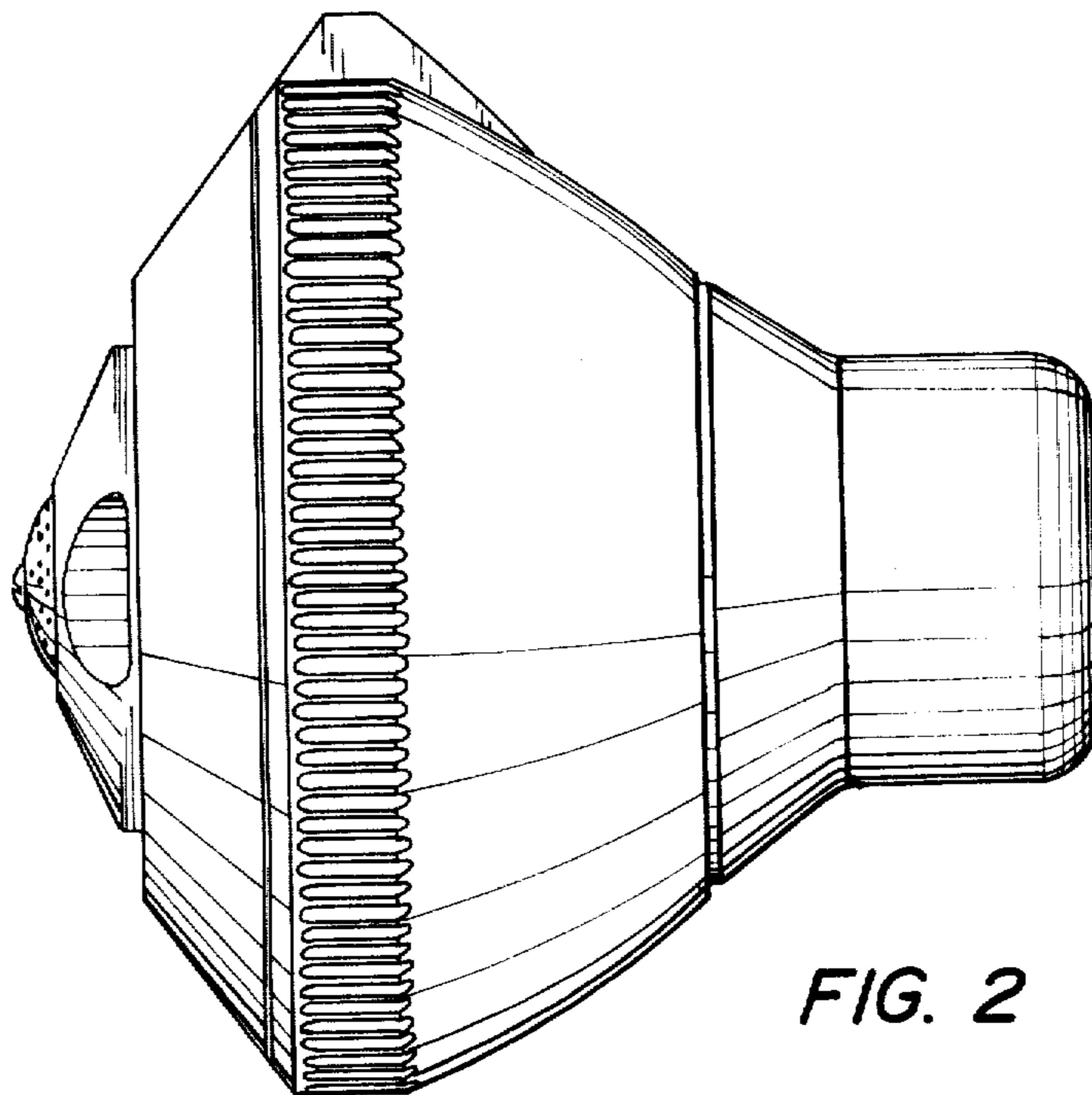


FIG. 2

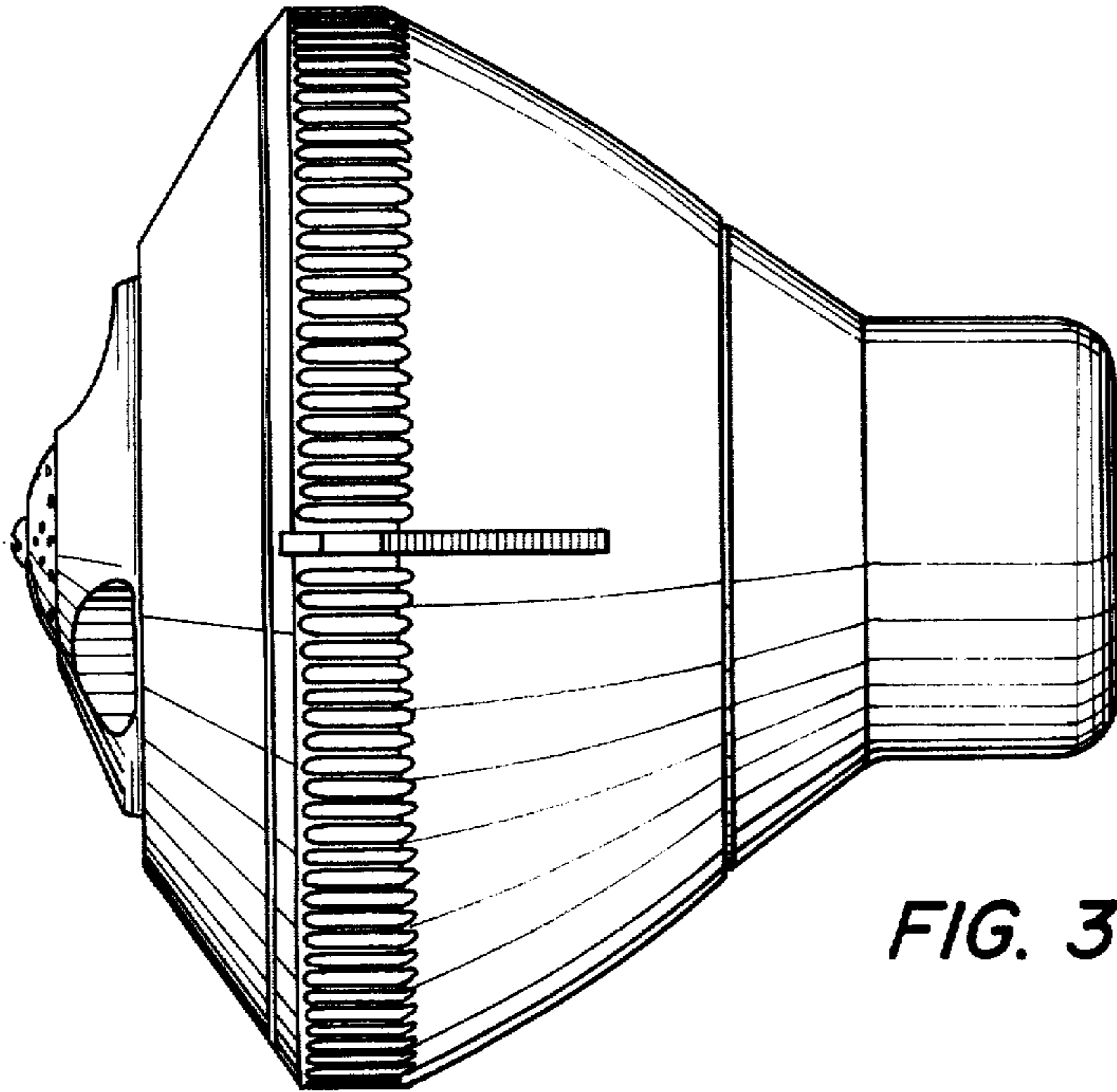


FIG. 3

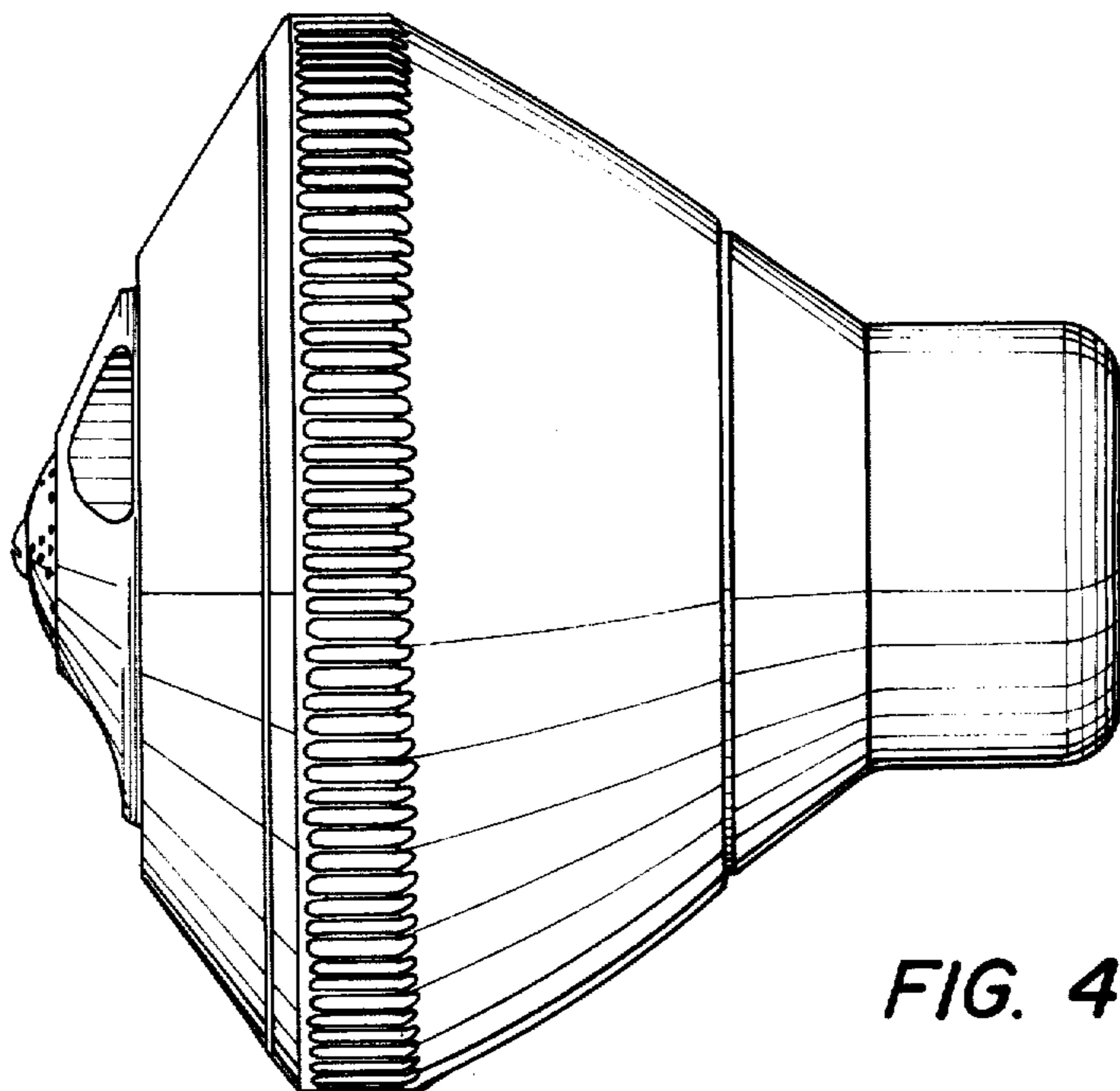


FIG. 4

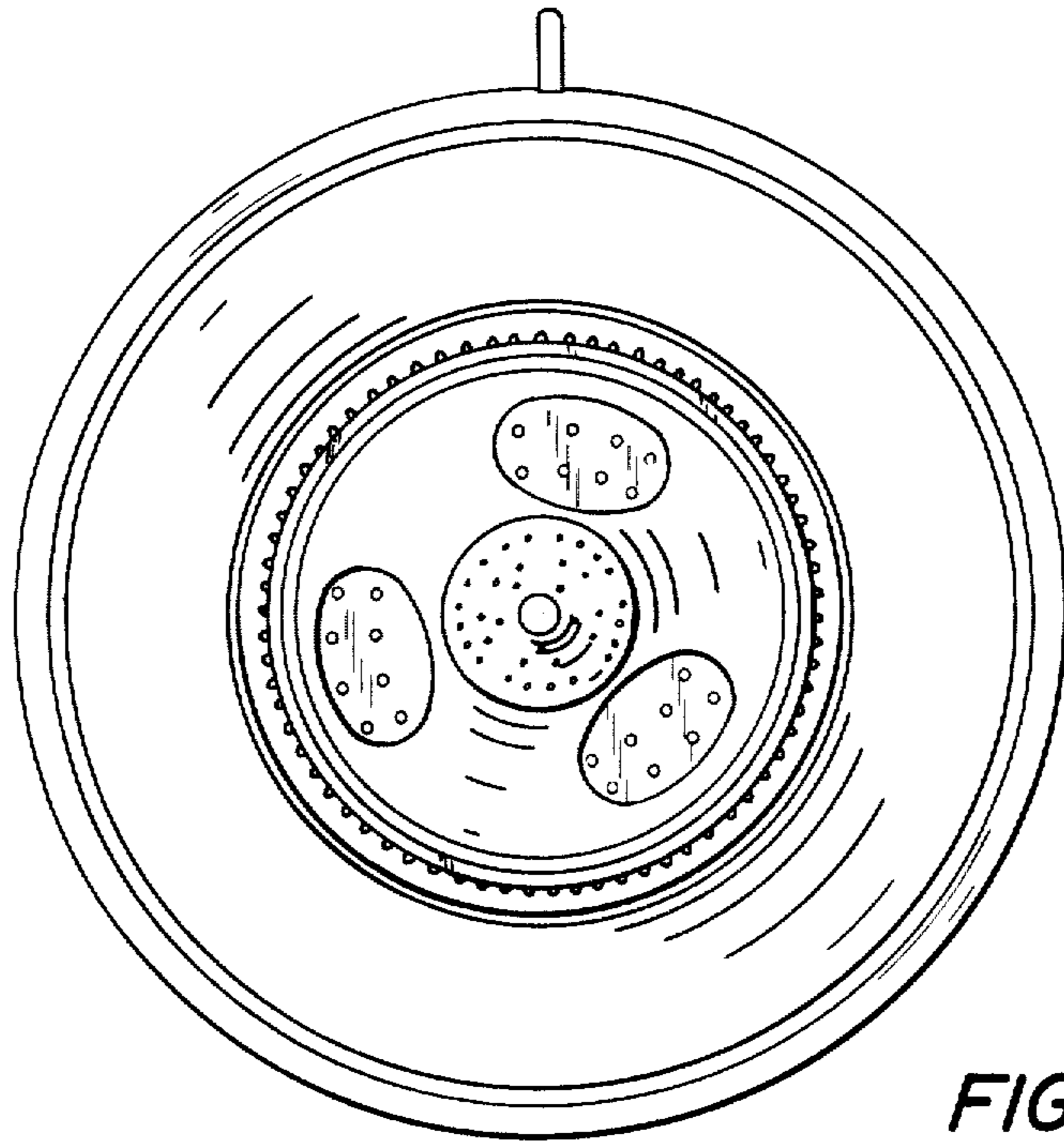


FIG. 5

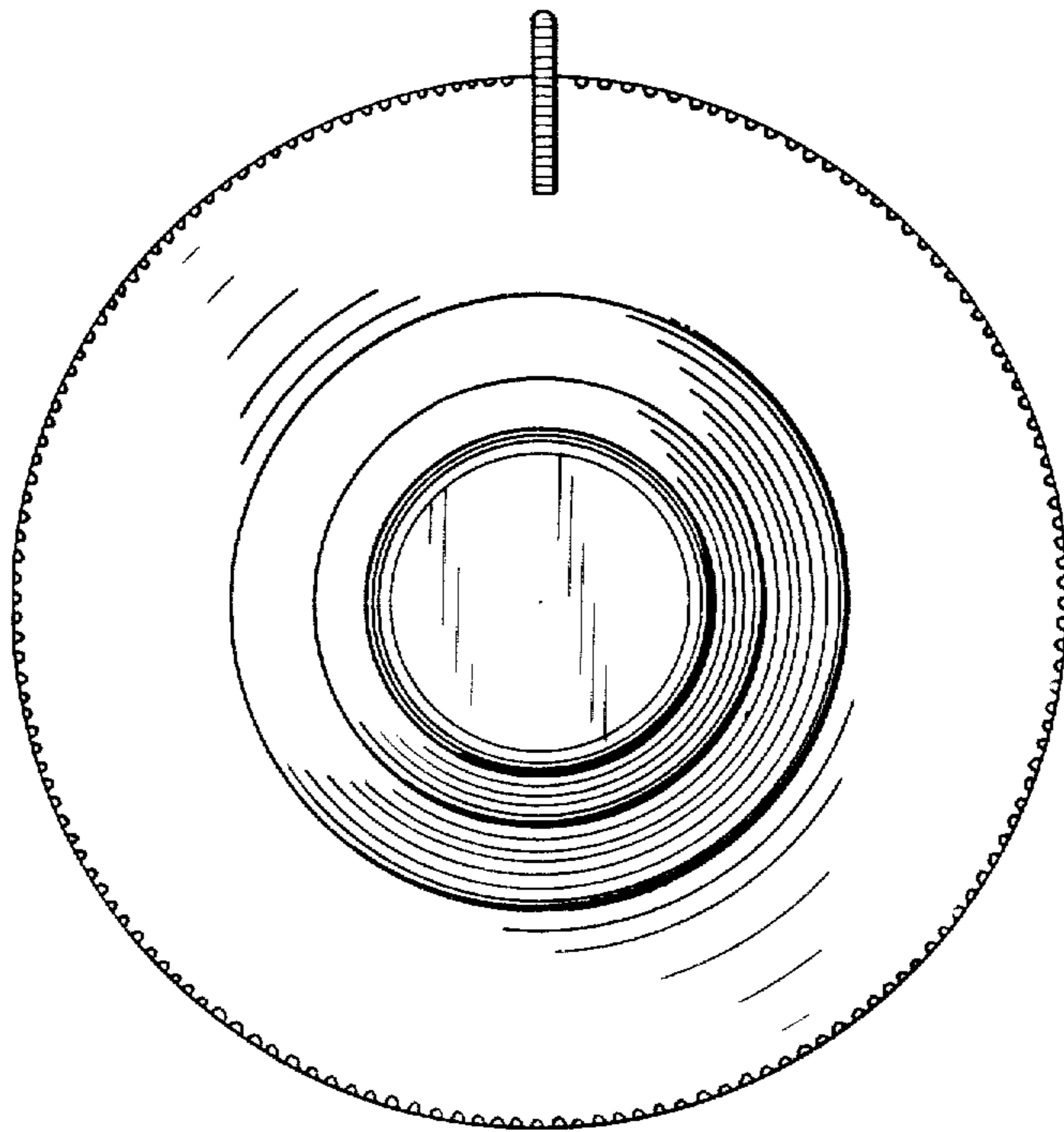


FIG. 6