

[54] COMBINED FISHING ROD AND REEL WITH GUN-SHAPED HANDLE

[76] Inventor: Benjamin W. Price, P.O. Box 1681, Marion, N.C. 28752

[**] Term: 14 Years

[21] Appl. No.: 195,508

[22] Filed: Oct. 9, 1980

[51] Int. Cl. D22-05

[52] U.S. Cl. D22/26; D22/23

[58] Field of Search D22/23, 26; 43/19

[56] References Cited

U.S. PATENT DOCUMENTS

- D. 83,221 2/1931 Teetor D22/23
- D. 112,175 11/1938 Nelson D22/23
- D. 150,951 9/1948 Hill D22/26
- D. 194,979 4/1963 Elsby D22/23

- D. 204,893 5/1966 Wonsch D22/26
- 2,965,995 12/1960 Lasky 43/19
- 3,000,129 9/1961 Rainey 43/19

FOREIGN PATENT DOCUMENTS

- 618,823 4/1961 Canada 43/19

Primary Examiner—A. Hugo Word

Attorney, Agent, or Firm—Richards, Shefte & Pinckney

[57] CLAIM

The ornamental design for a combined fishing rod and reel with gun-shaped handle, as shown.

DESCRIPTION

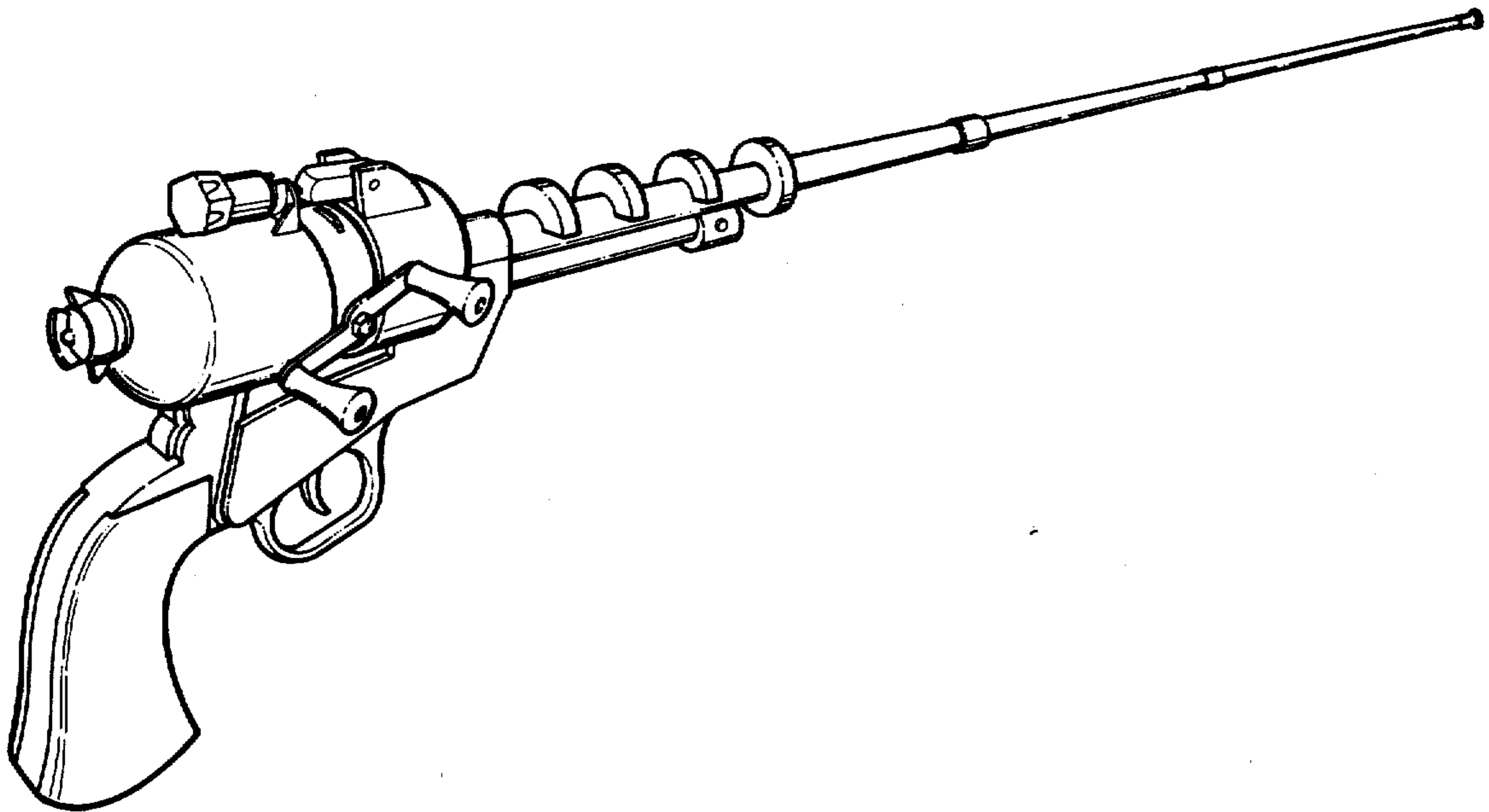
FIG. 1 is a perspective view of a combined fishing rod and reel with gun-shaped handle illustrating my new design;

FIG. 2 is a right side elevational view thereof;

FIG. 3 is a left side elevational view thereof;

FIG. 4 is a top view thereof; and

FIG. 5 is an end view thereof.



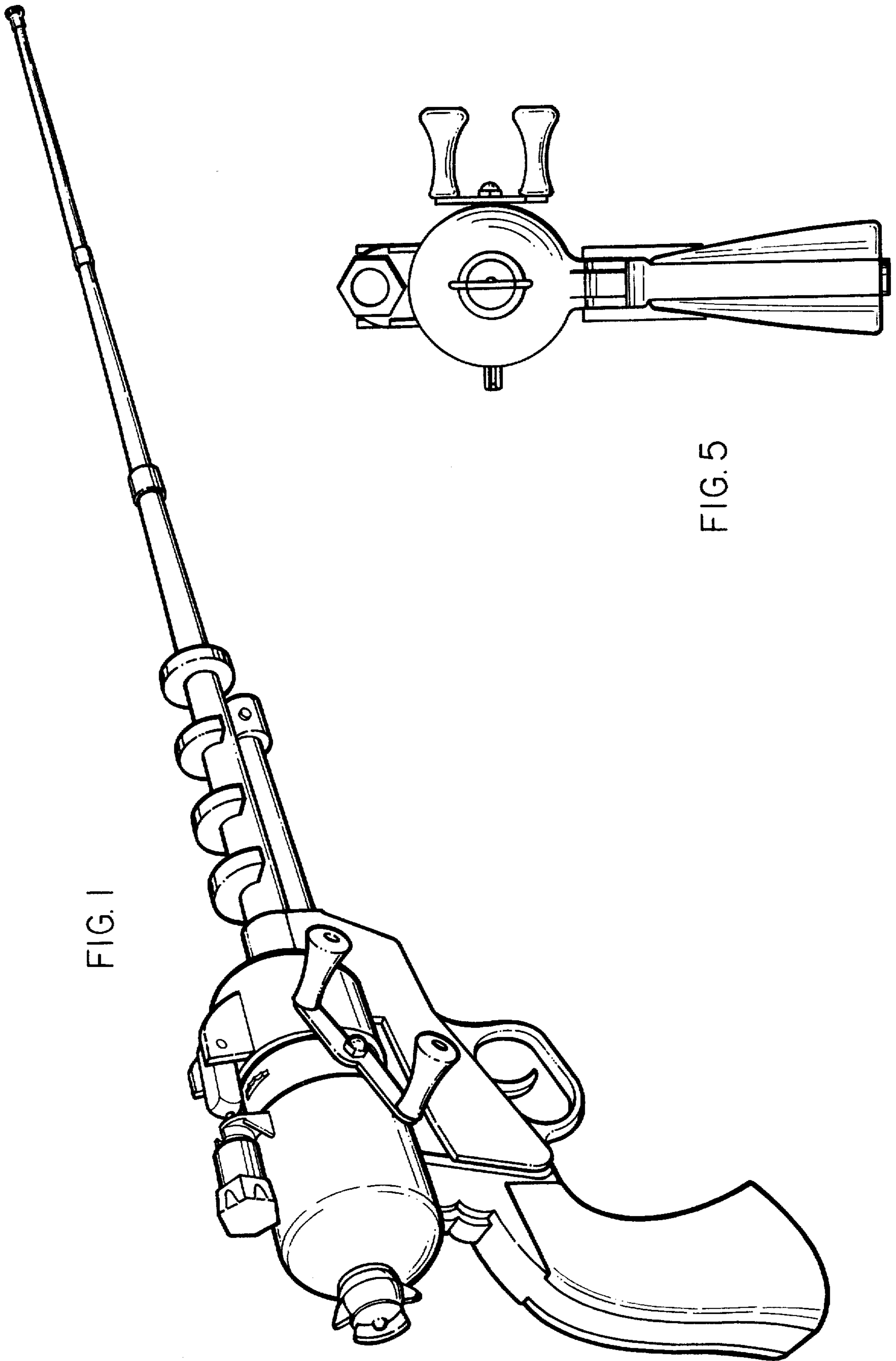


FIG. 1

FIG. 5

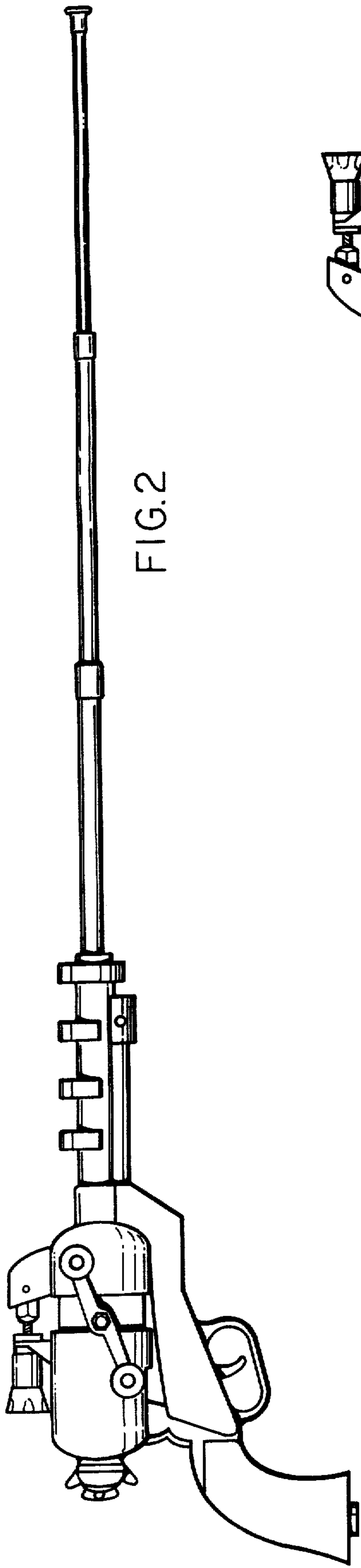


FIG. 2

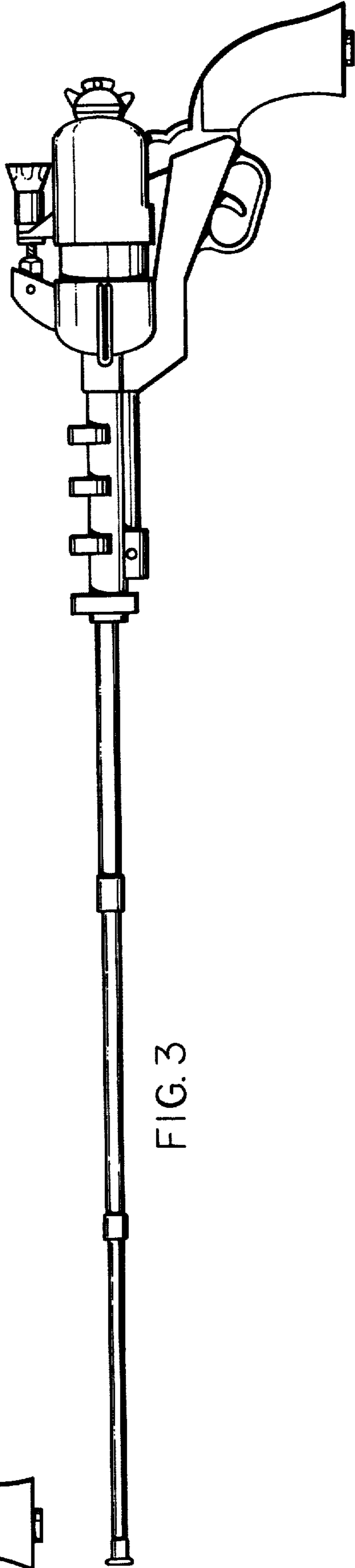


FIG. 3

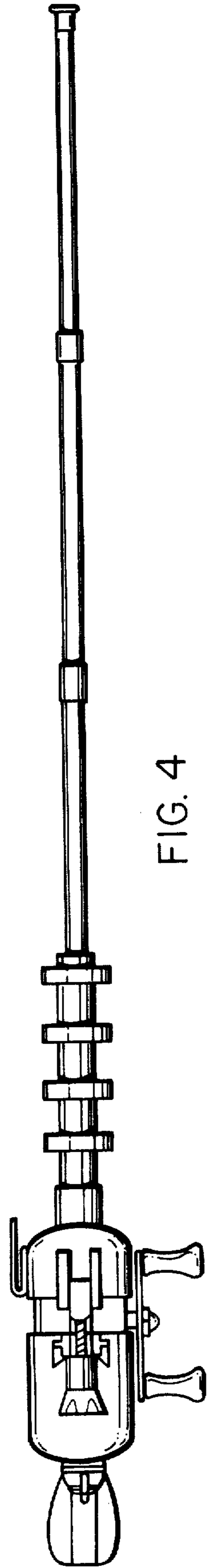


FIG. 4