

[54] GOLF CLUB HEAD

[76] Inventor: Clyde E. Mullins, 632 Ruissau
Francais, Half Moon Bay, Calif.
94019

[**] Term: 14 Years

[21] Appl. No.: 209,544

[22] Filed: Nov. 24, 1980

[51] Int. Cl. D21-02

[52] U.S. Cl. D21/214

[58] Field of Search D21/214-220;
273/167-175, 163, 77 R, 78

[56] References Cited

U.S. PATENT DOCUMENTS

- D. 180,257 5/1957 Wetzel D21/220
- D. 231,625 5/1974 Werner D21/219

OTHER PUBLICATIONS

The Gateway to Golf, Jan. 21, 1929, p. 37, top, middle,
item R4, Kelley Klub.

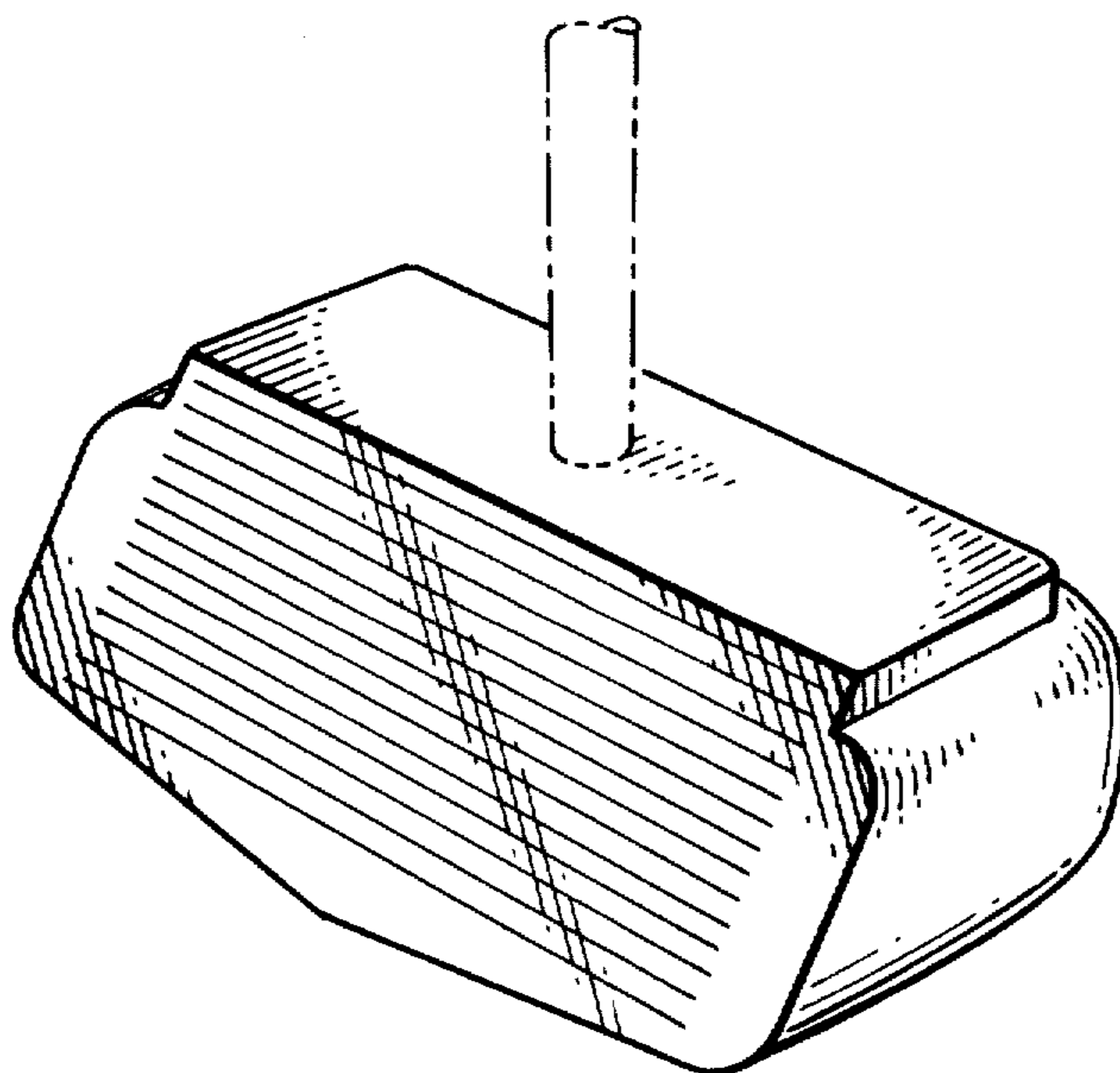
Primary Examiner—Melvin B. Feifer
Attorney, Agent, or Firm—Naylor, Neal & Uilkema

[57] CLAIM

The ornamental design for a golf club head, as shown
and described.

DESCRIPTION

FIG. 1 is a view in perspective of the golf club head
showing my new design;
FIG. 2 is a top plan view of the same;
FIG. 3 is a view in front elevation of the same;
FIG. 4 is a view in side elevation of the same;
FIG. 5 is a bottom plan view of the same; and
FIG. 6 is a view in rear elevation of the same.



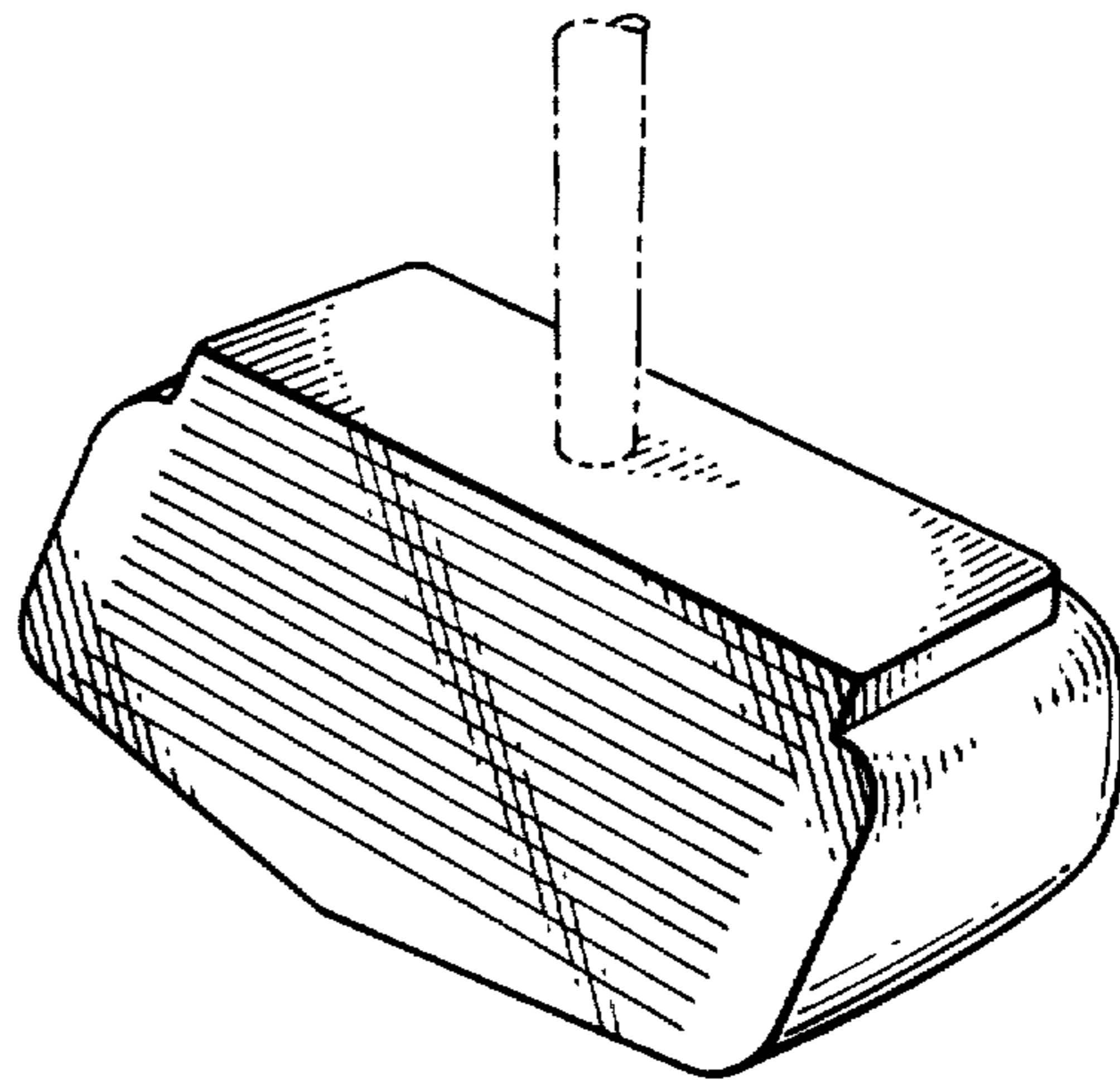


FIG. 1.

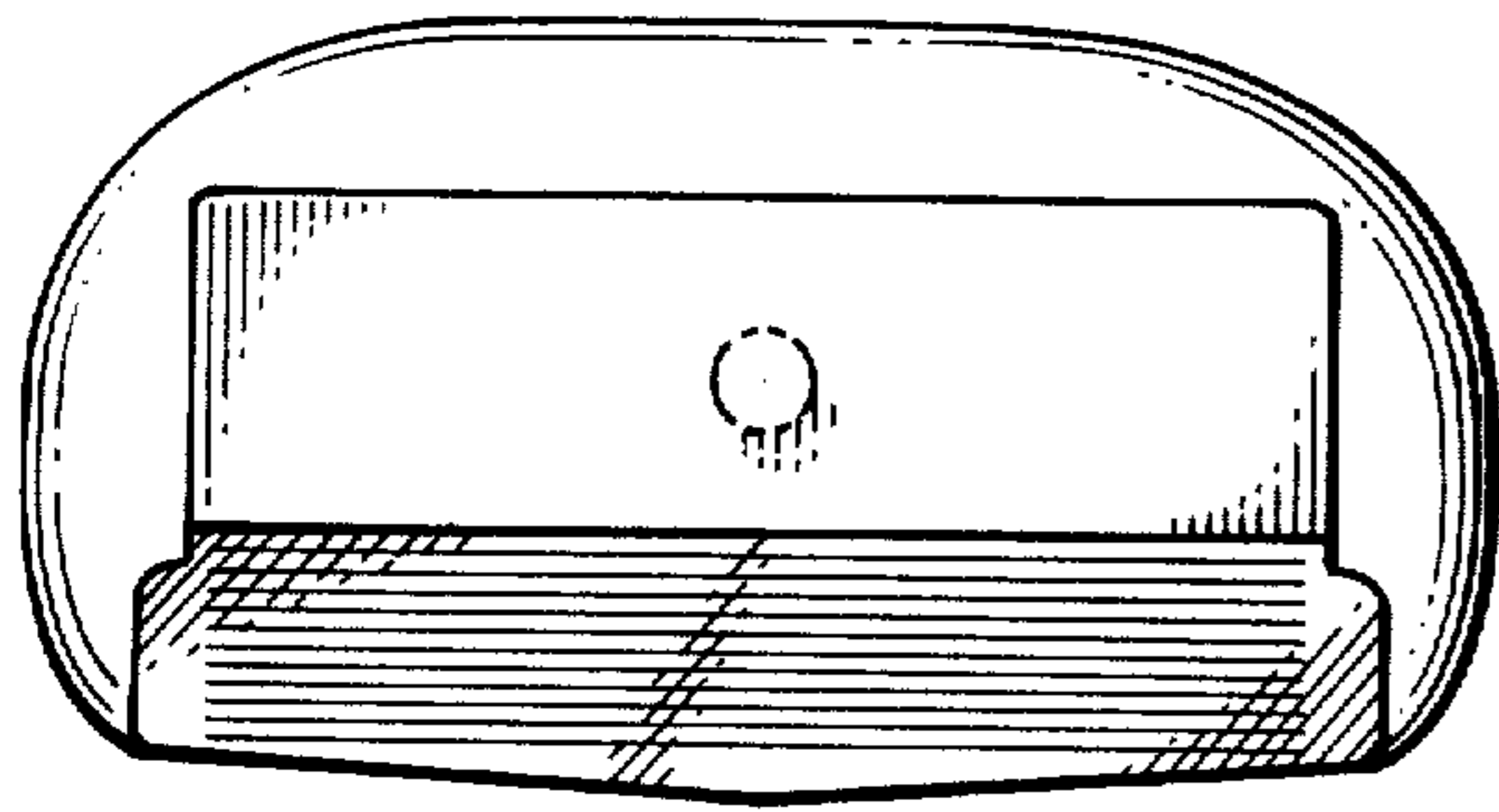


FIG. 2.

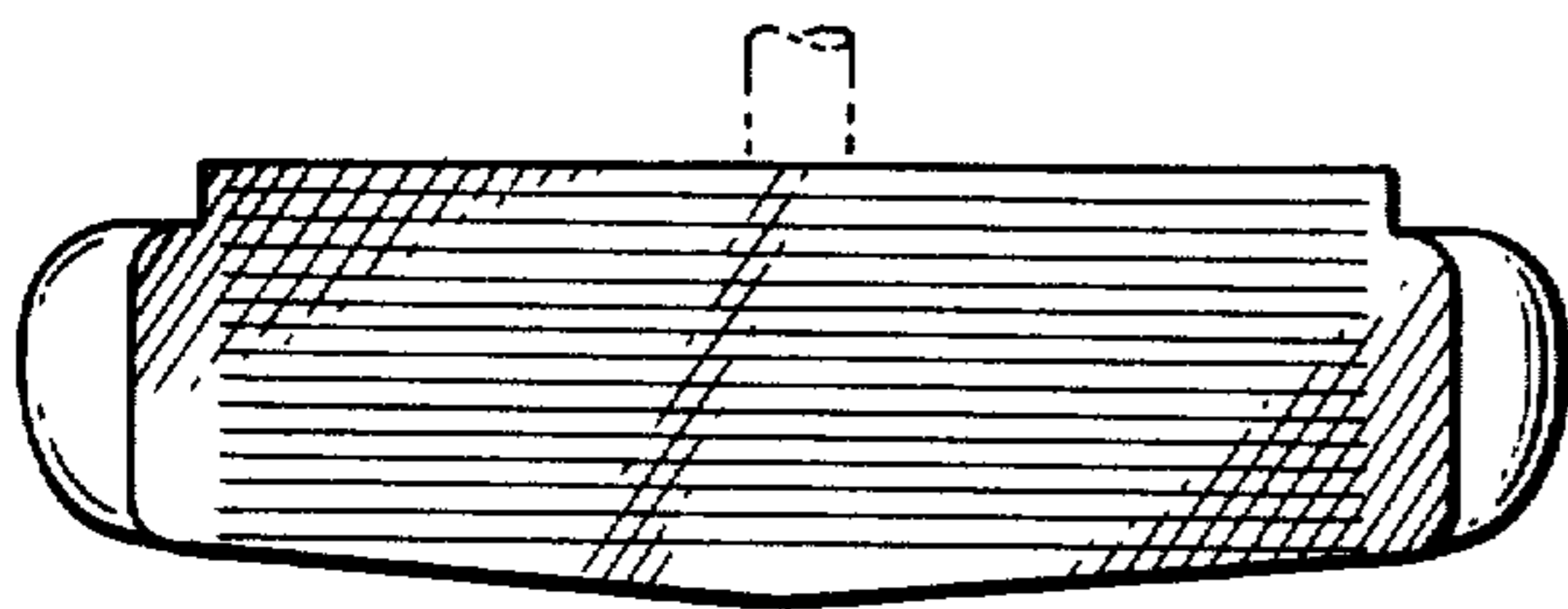


FIG. 3.

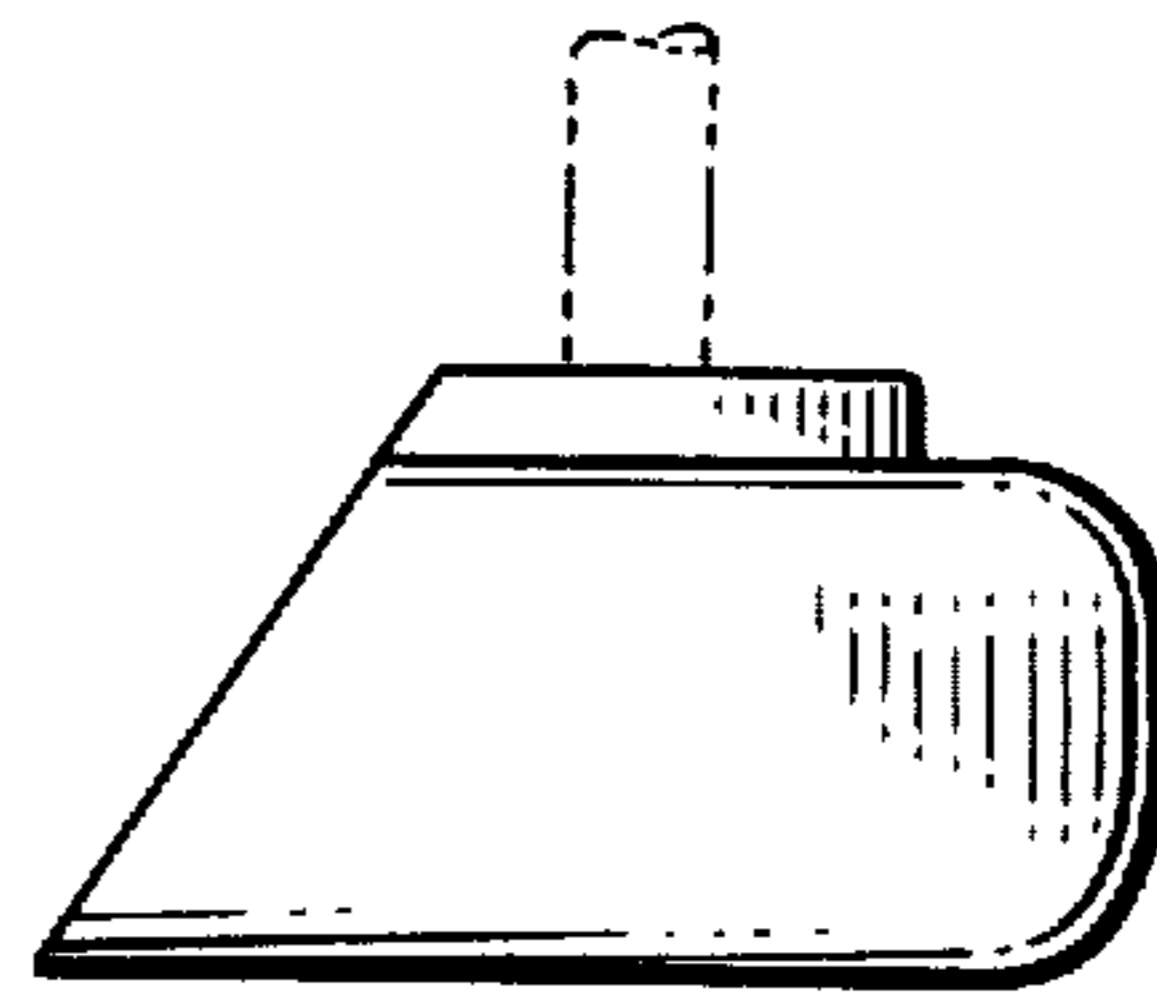


FIG. 4.

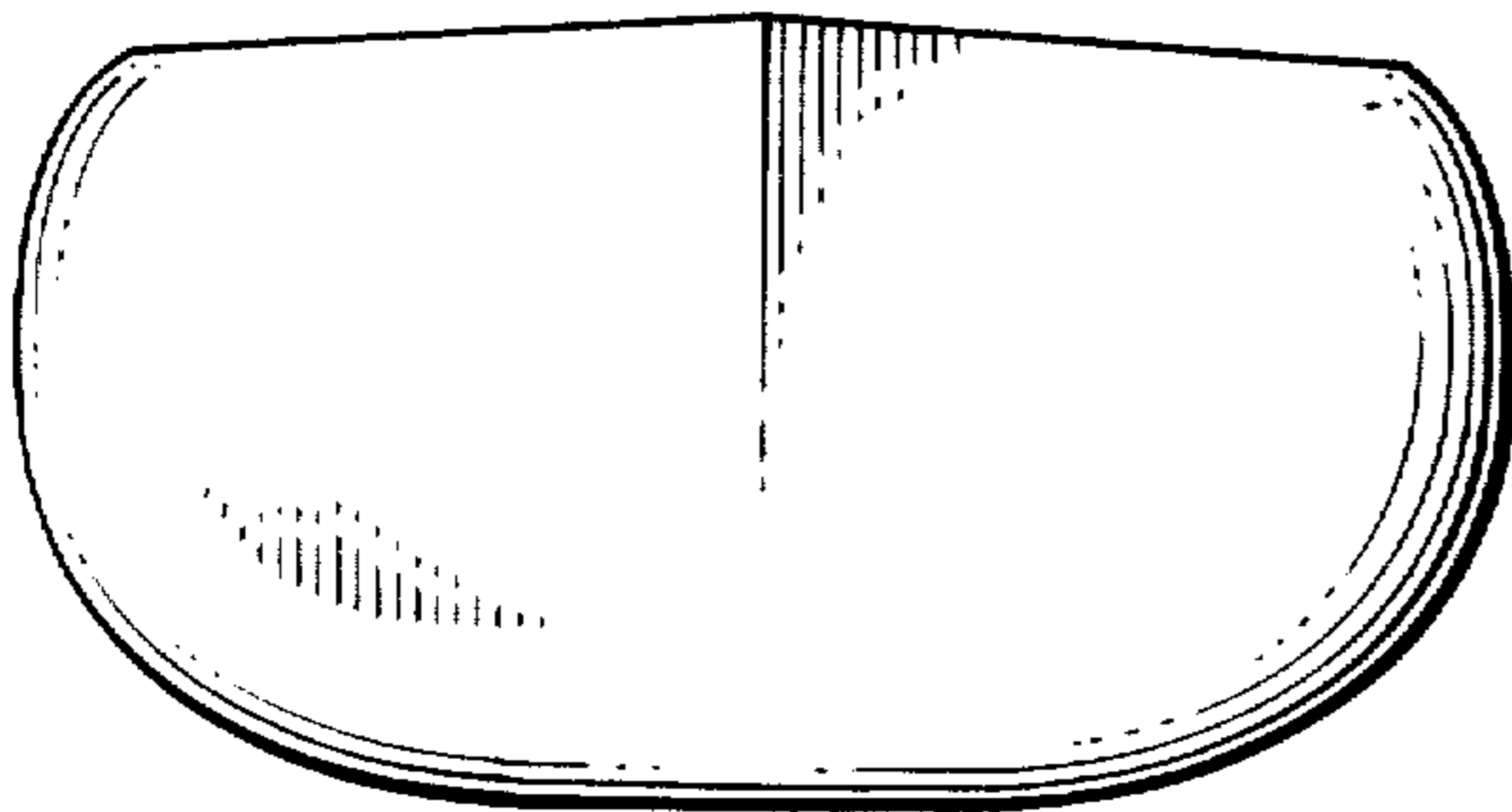


FIG. 5.

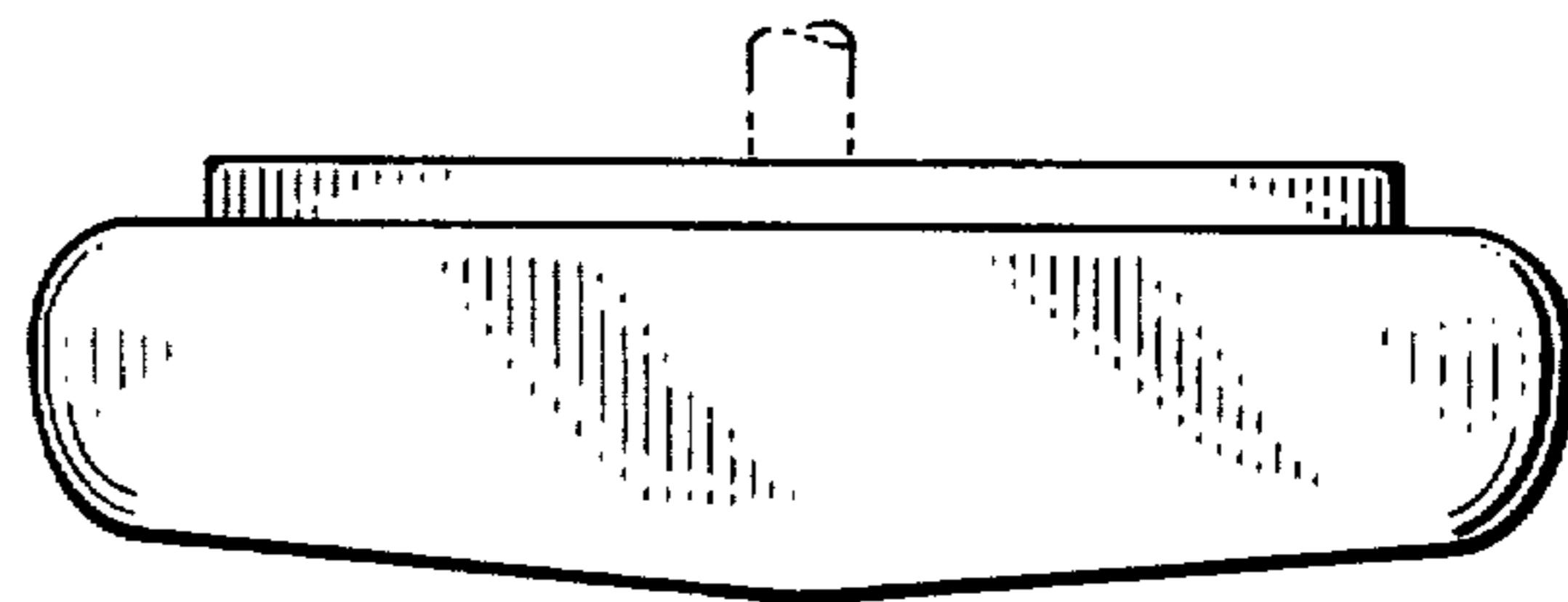


FIG. 6.