

[54] **TOY WATER GUN**

[76] **Inventor:** Francis M. L. Barthropp, 4371 Marine Dr., West Vancouver, British Columbia, Canada, V7V 1P3

[**] **Term:** 14 Years

[21] **Appl. No.:** 200,885

[22] **Filed:** Oct. 27, 1980

[51] **Int. Cl.** D21-01

[52] **U.S. Cl.** D21/147

[58] **Field of Search** D21/145, 146, 147; 124/56, 63, 64, 65, 1; 46/1 R, 1 E, 174, 175

[56] **References Cited**

U.S. PATENT DOCUMENTS

- D. 196,246 9/1963 Halpern et al. D21/146
- D. 202,906 11/1965 Cooley D21/145
- D. 243,111 1/1977 Barthropp D21/147

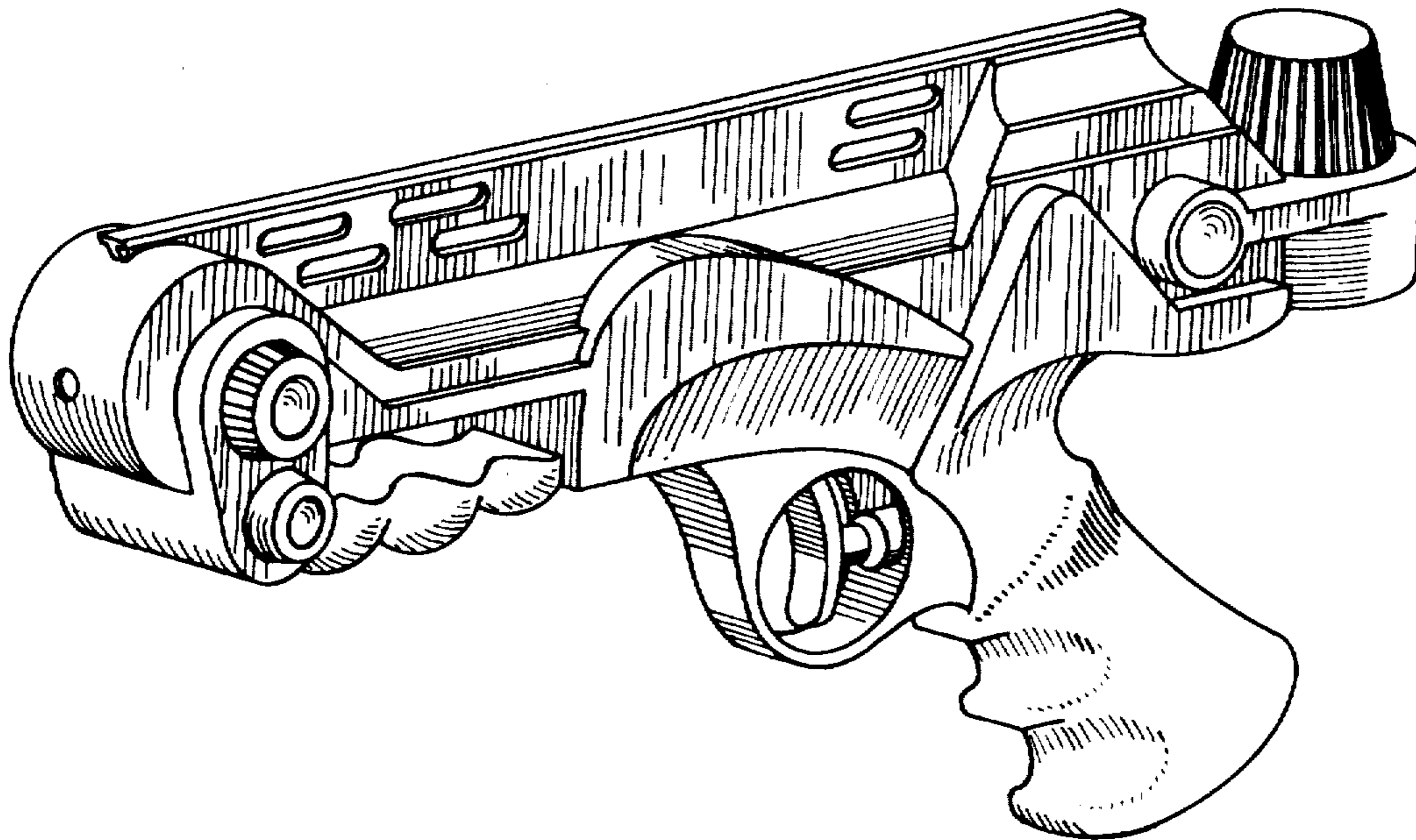
Primary Examiner—Charles A. Rademaker
Attorney, Agent, or Firm—Carver & Co.

[57] **CLAIM**

The ornamental design for a toy water gun, substantially as shown.

DESCRIPTION

FIG. 1 is a front perspective view of a toy water gun showing my new design;
FIG. 2 is a rear perspective view thereof;
FIG. 3 is a further front perspective thereof;
FIG. 4 is a top plan view thereof; and
FIG. 5 is a bottom plan view thereof.



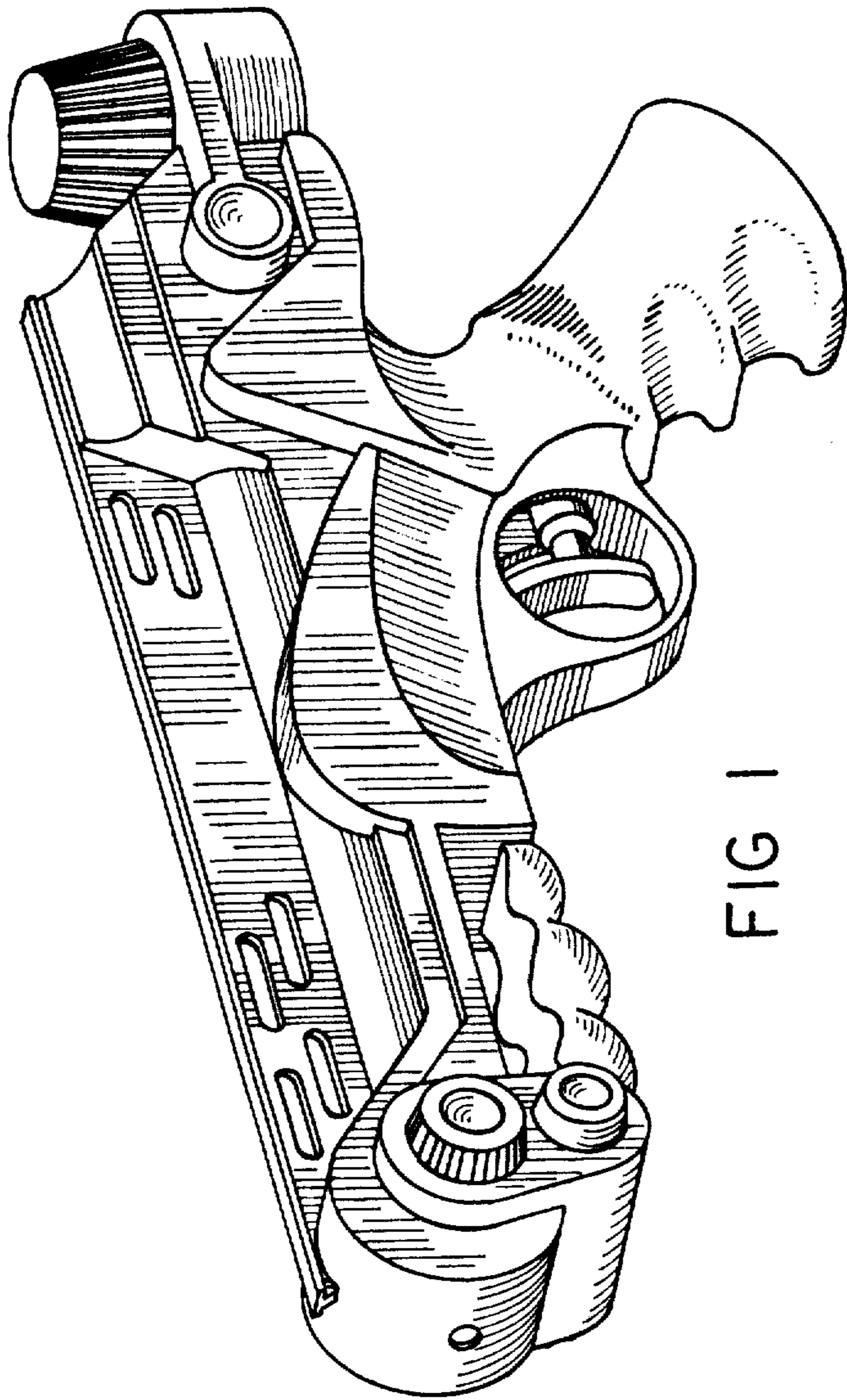


FIG 1

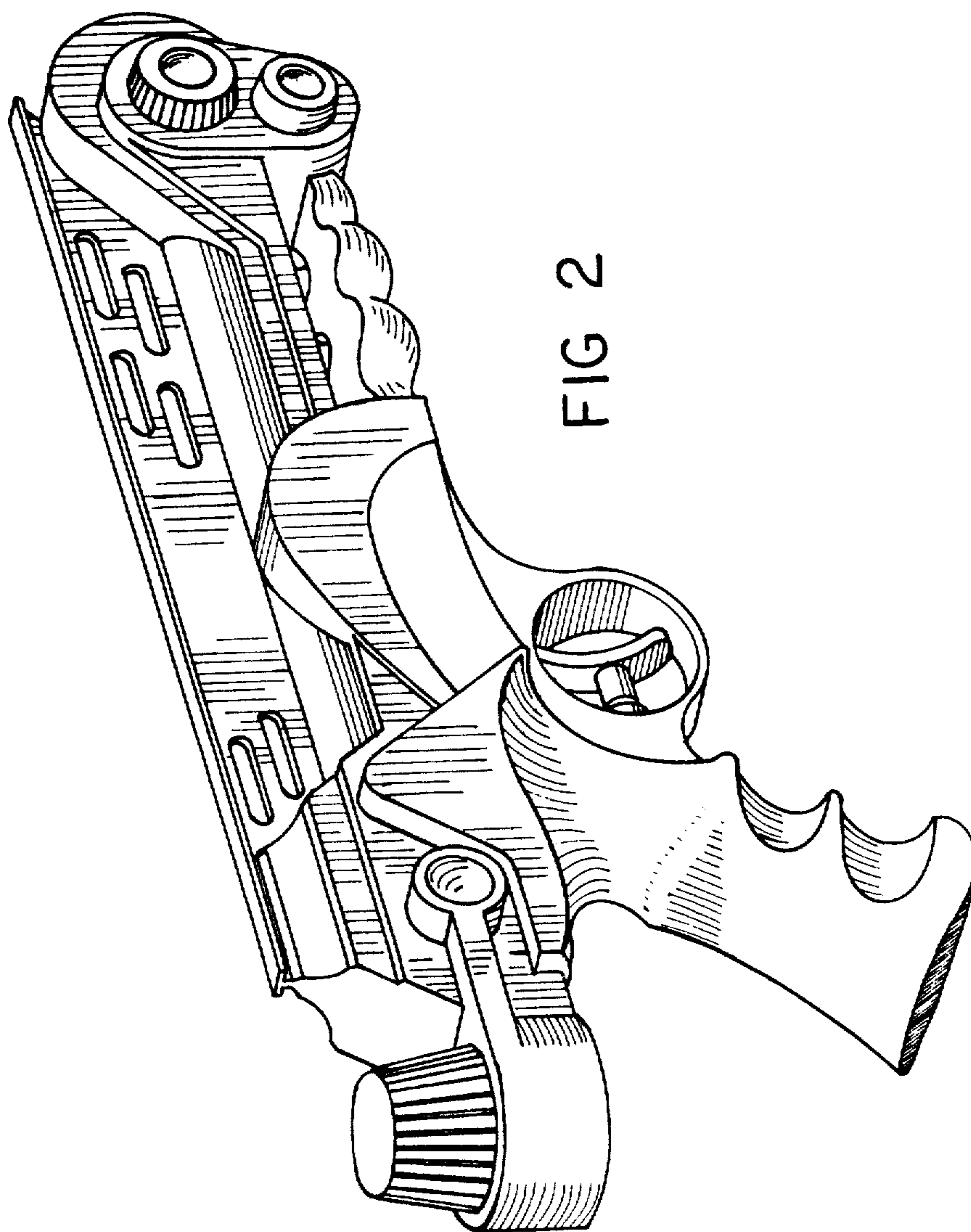


FIG 2

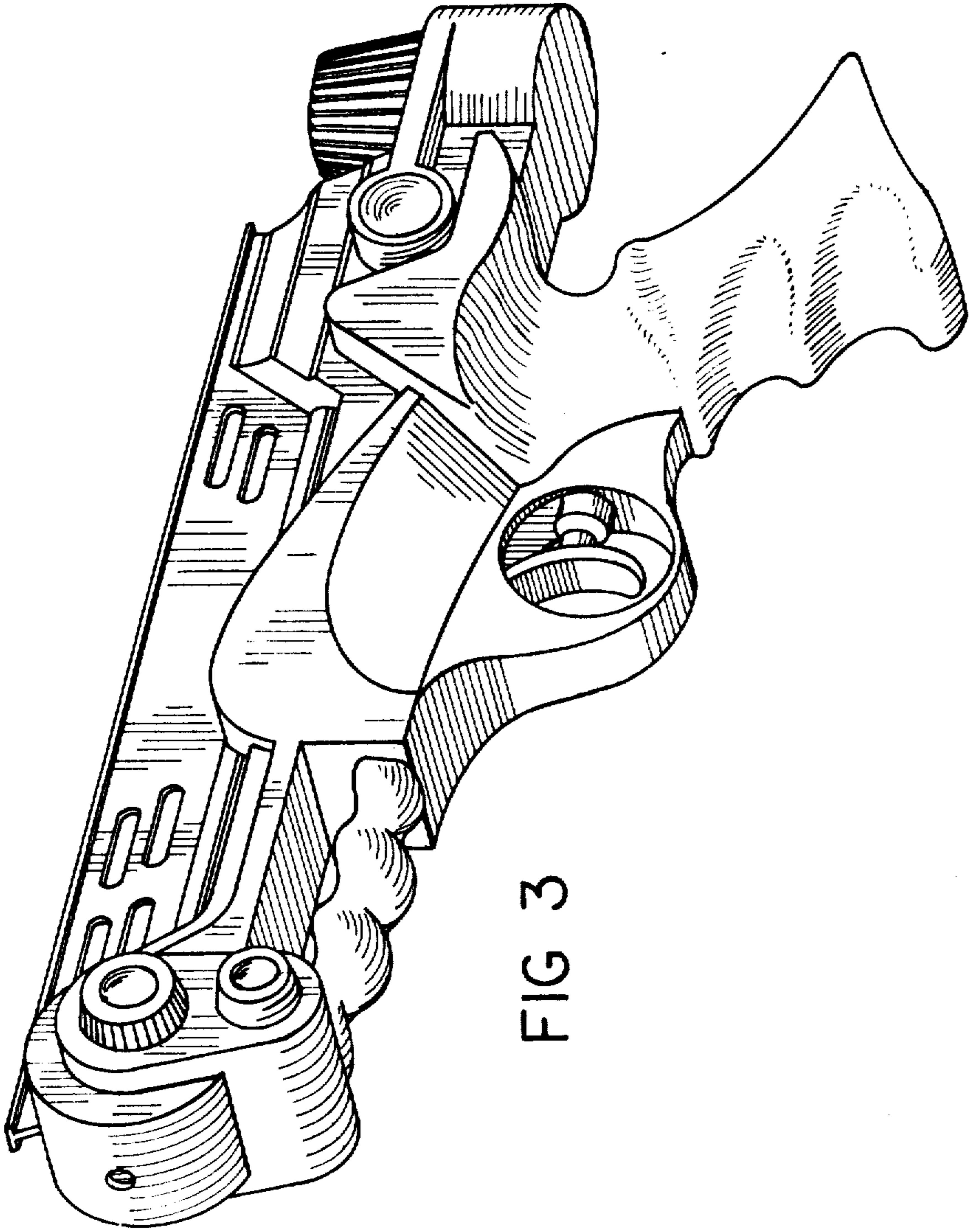


FIG 3

