

[54] TOY BOAT RIG

[75] Inventor: Jack L. Breneman, Orchard Park, N.Y.

[73] Assignee: The Quaker Oats Company, Chicago, Ill.

[**] Term: 14 Years

[21] Appl. No.: 216,208

[22] Filed: Dec. 15, 1980

[51] Int. Cl. D21-01

[52] U.S. Cl. D21/135; D21/130; D21/137

[58] Field of Search D21/130, 137, 139, 155; 46/93, 96, 91; D12/300, 1, 101

[56] References Cited

U.S. PATENT DOCUMENTS

D. 141,453 6/1945 Wolf D21/130

OTHER PUBLICATIONS

Playthings, 10/76, p. 22, Foam Boat with Truck Rig. Sears Xmas Wish Book, 1980, p. 621, Item #12, Toy Vehicle with Canoe.

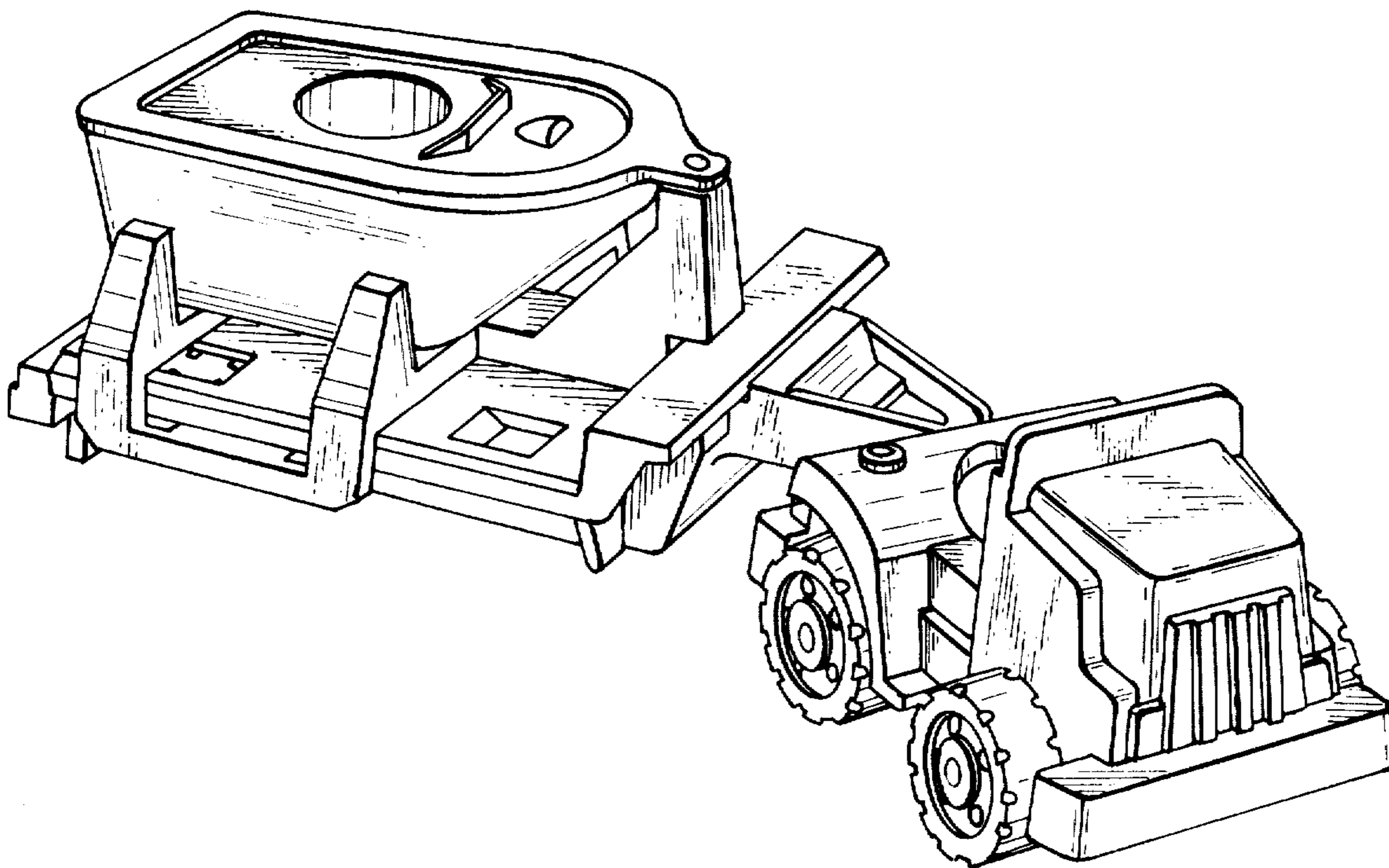
Primary Examiner—Charles A. Rademaker
Attorney, Agent, or Firm—Cumpston and Shaw

[57] CLAIM

The ornamental design for a toy boat rig, substantially as shown.

DESCRIPTION

FIG. 1 is a front perspective view of a toy boat rig showing my new design;
FIG. 2 is a rear elevational view of the truck portion thereof;
FIG. 3 is a front elevational view of the boat and trailer portions thereof;
FIG. 4 is a rear elevational view of the boat and carrier portions thereof;
FIG. 5 is a left-side elevational view thereof; and
FIG. 6 is a bottom plan view thereof.



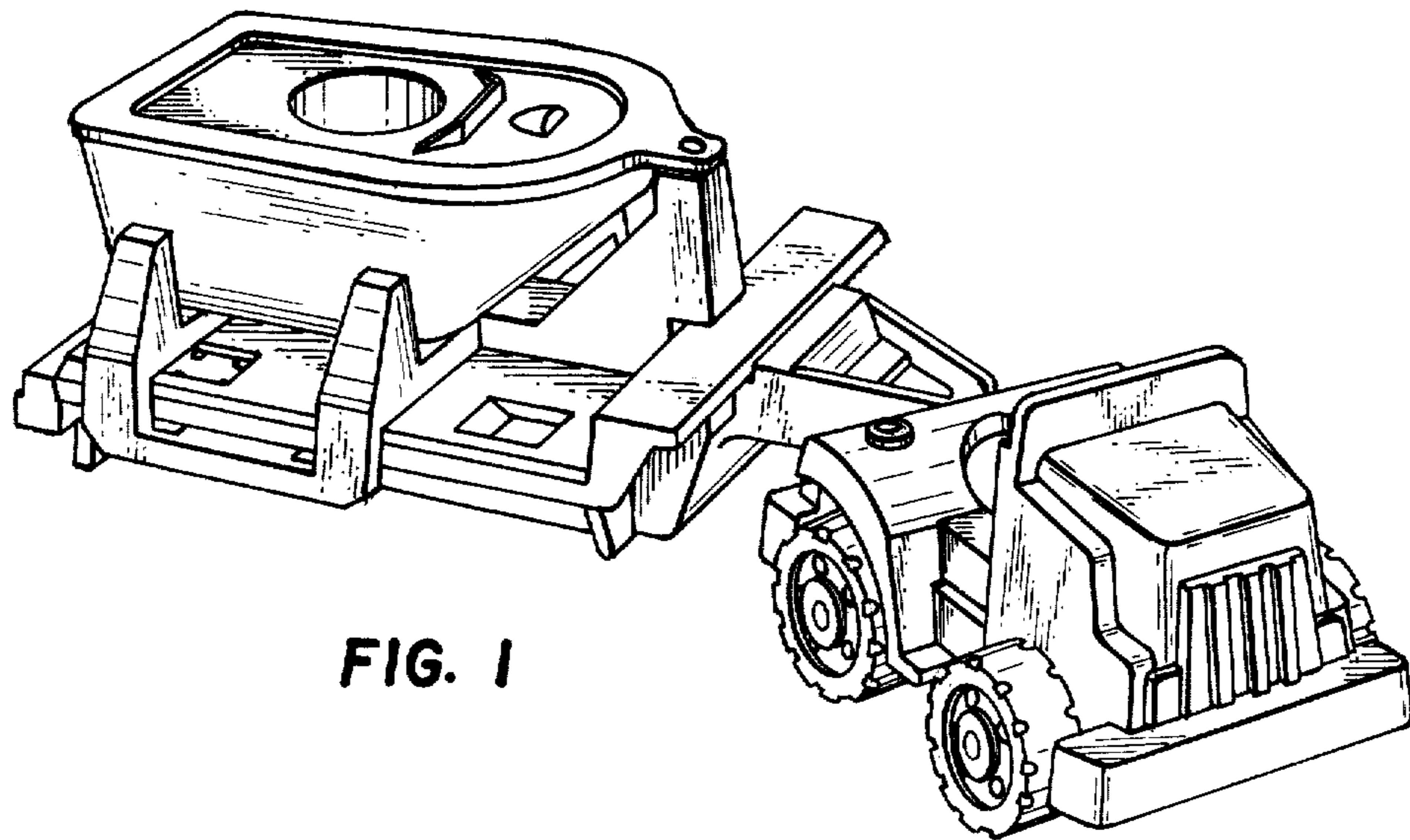


FIG. 1

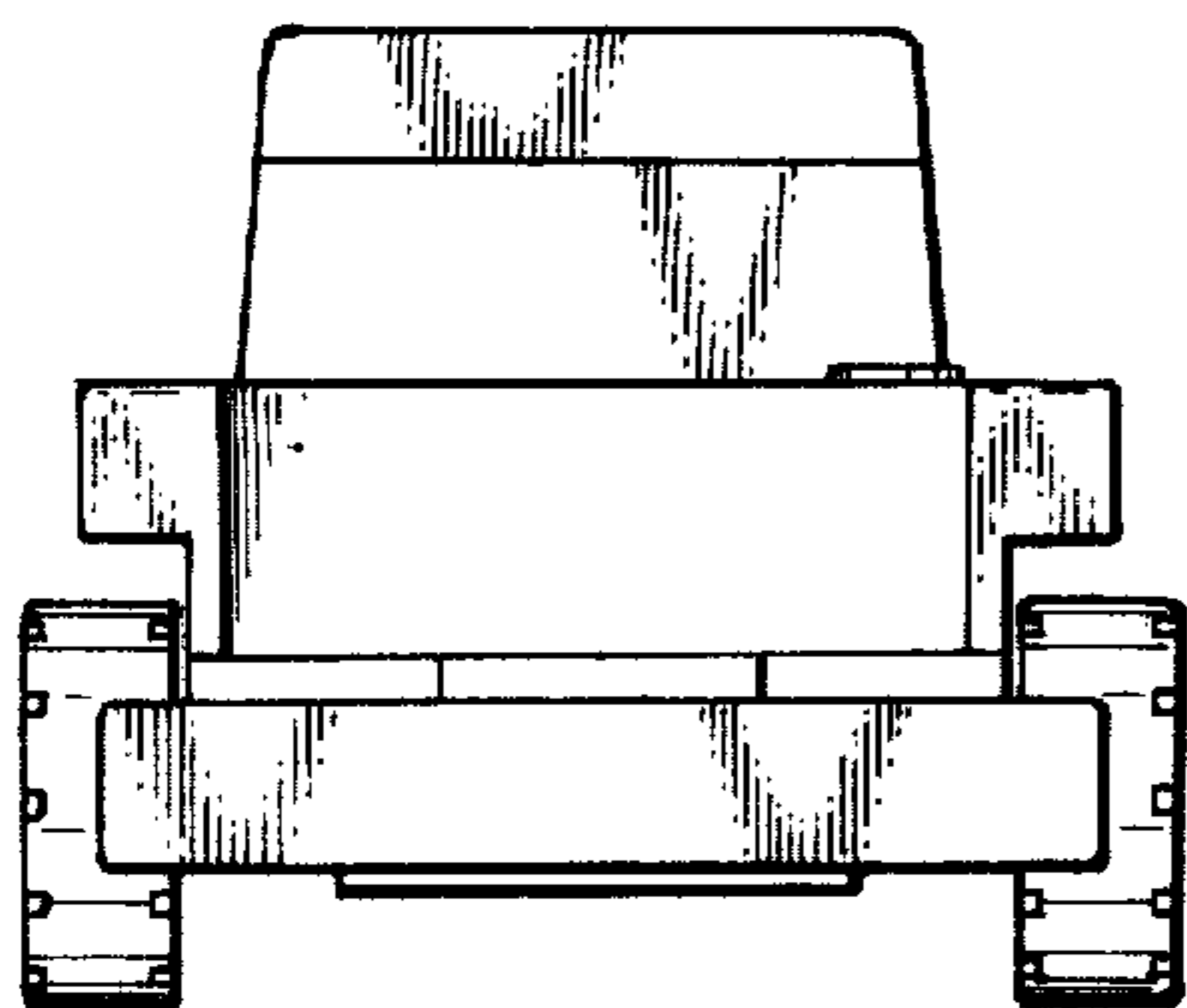


FIG. 2

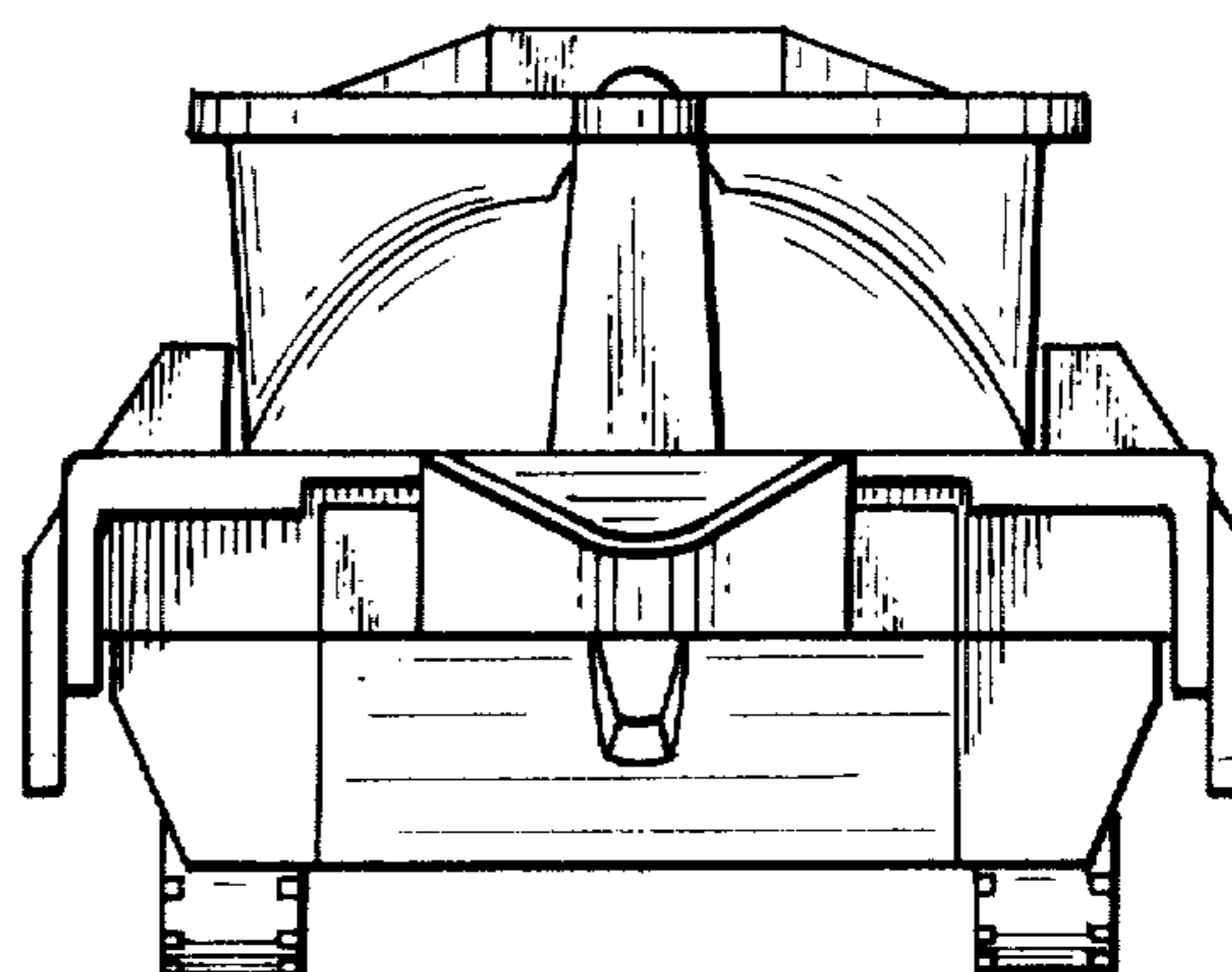


FIG. 3

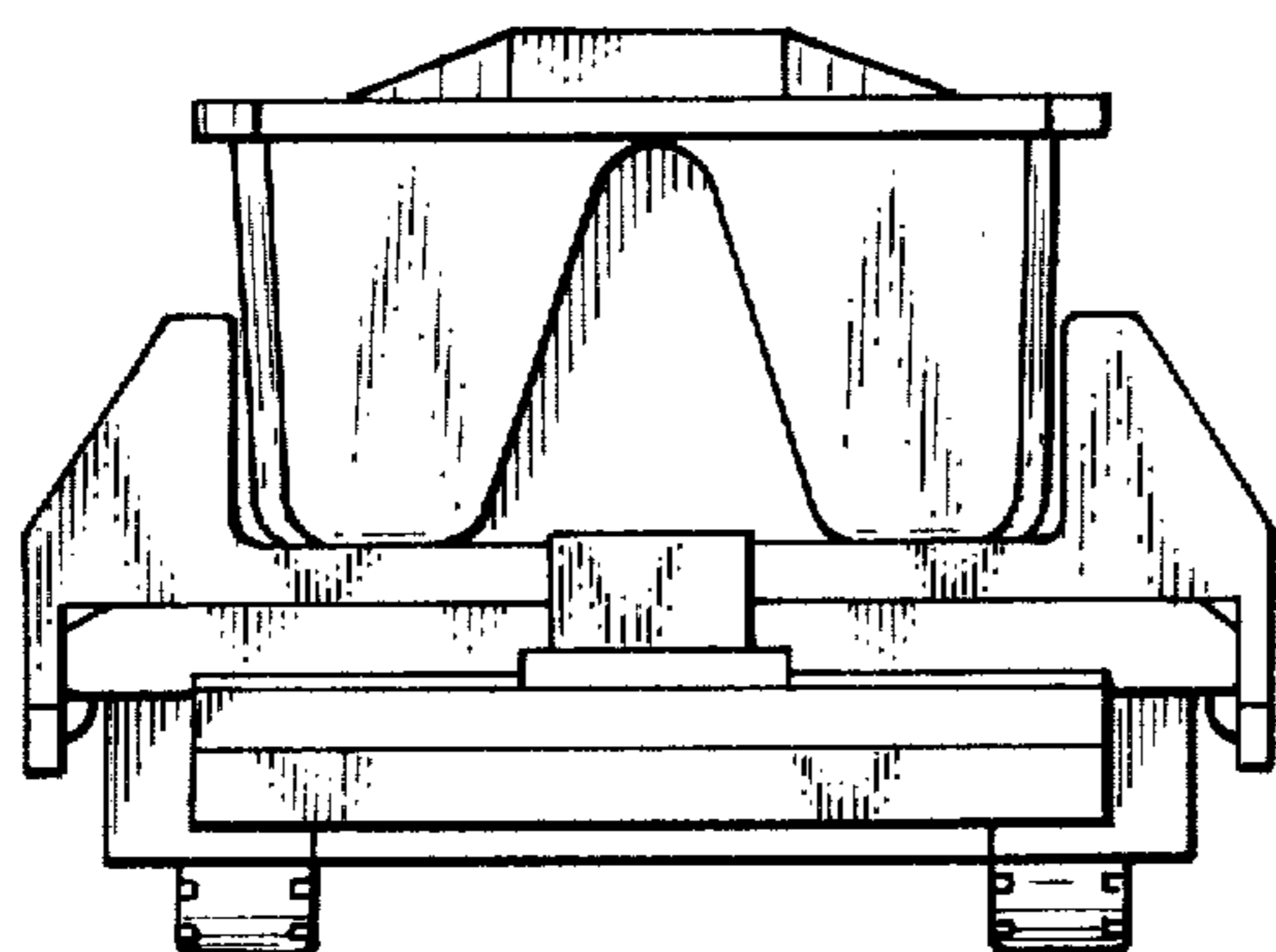


FIG. 4

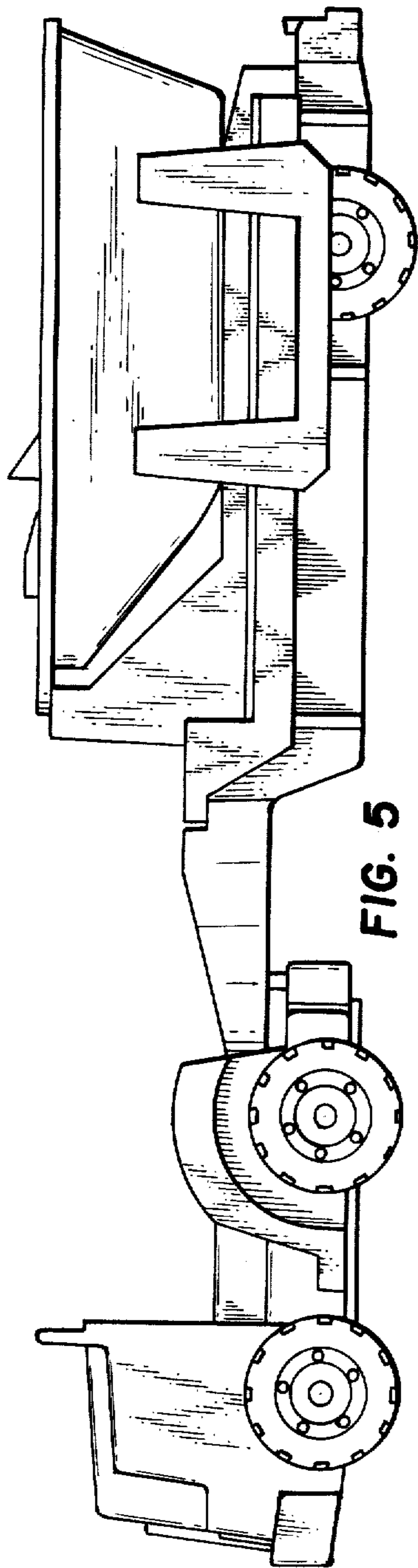


FIG. 5

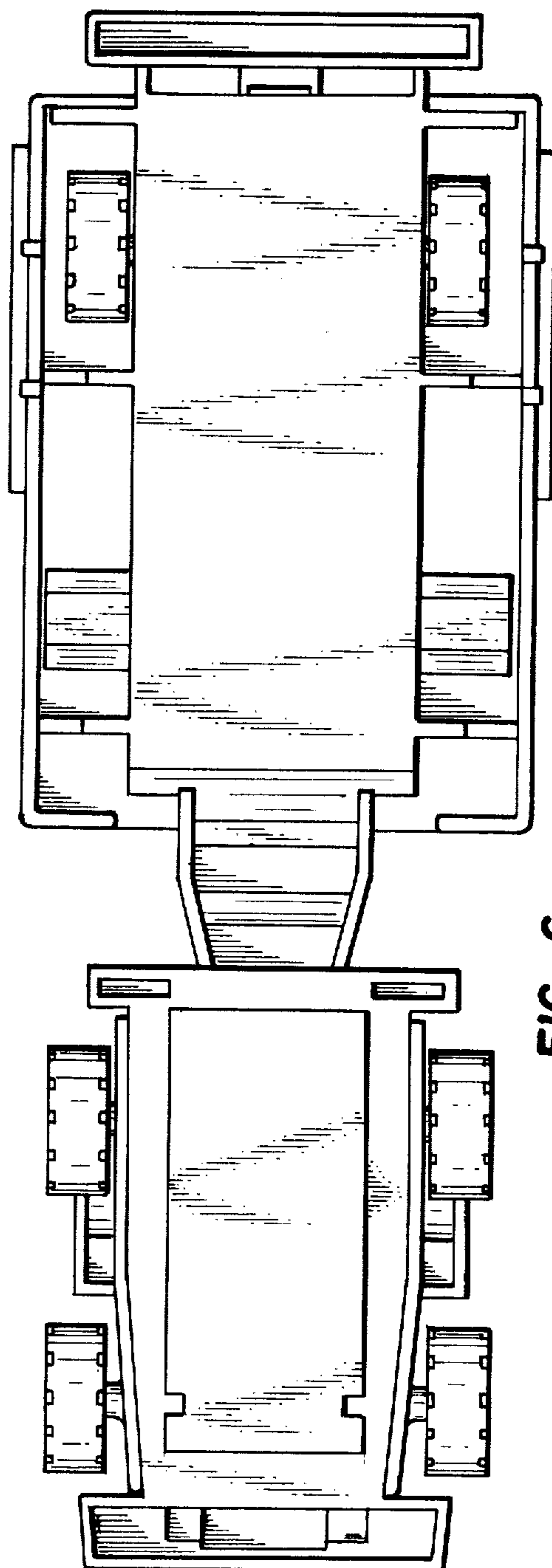


FIG. 6