

[54] **TOY BOAT**

[75] **Inventor:** Kenneth R. Wilkes, East Aurora, N.Y.
[73] **Assignee:** The Quaker Oats Company, Chicago, Ill.
[**] **Term:** 14 Years
[21] **Appl. No.:** 216,209
[22] **Filed:** Dec. 15, 1980
[51] **Int. Cl.** D21-01
[52] **U.S. Cl.** D21/130
[58] **Field of Search** D21/130, 139; 46/93, 46/96, 91; D12/300, 315, 318

[56] **References Cited**

U.S. PATENT DOCUMENTS

D. 161,861 2/1951 Mueller D21/130
D. 234,965 4/1975 Reiling D21/130
D. 238,600 1/1976 Tong D21/130

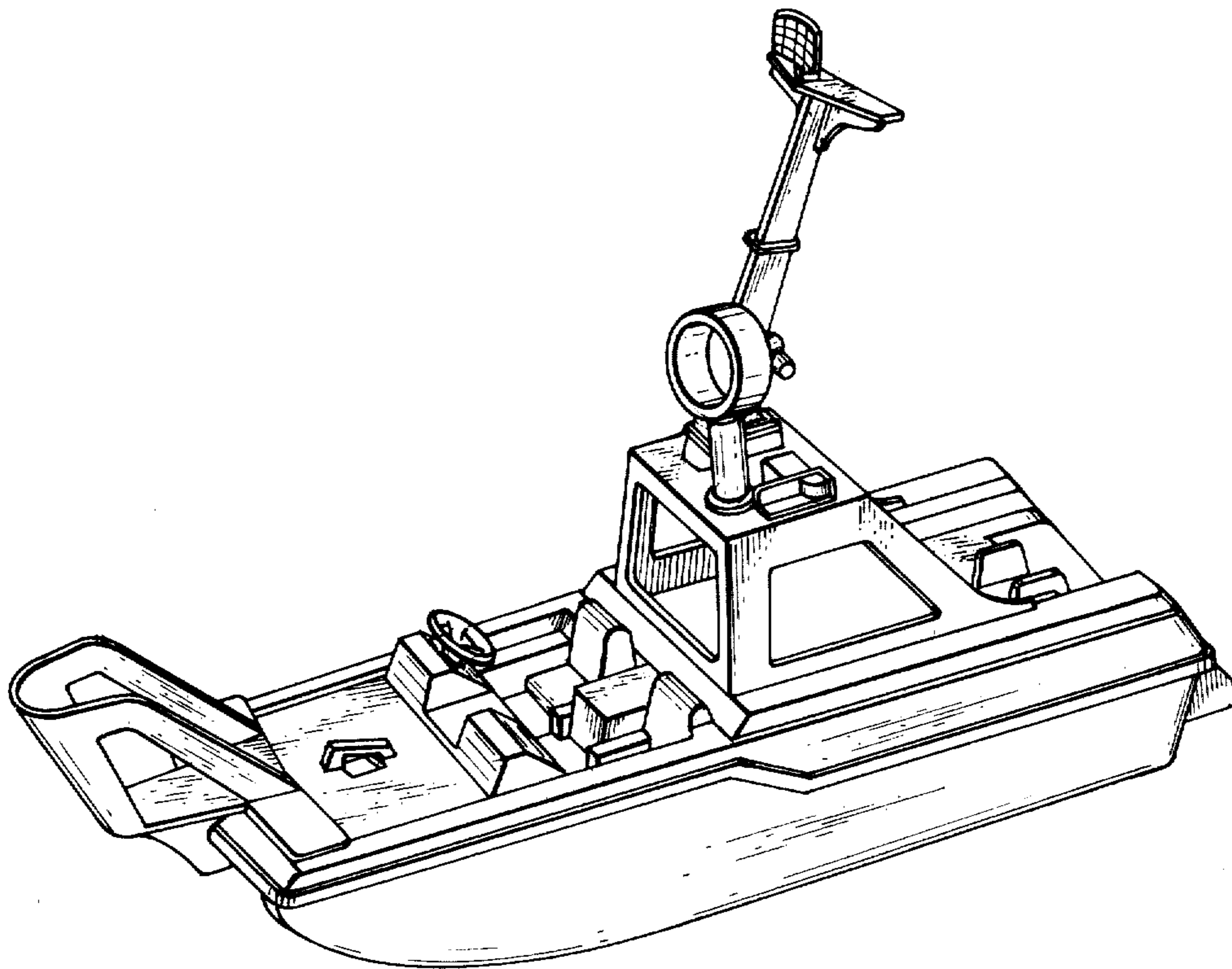
Primary Examiner—Charles A. Rademaker
Attorney, Agent, or Firm—Cumpston & Shaw

[57] **CLAIM**

The ornamental design for a toy boat, substantially as shown.

DESCRIPTION

FIG. 1 is a front perspective view of a toy boat showing my new design;
FIG. 2 is a rear elevational view thereof;
FIG. 3 is a right-side elevational view thereof; and
FIG. 4 is a bottom plan view thereof.



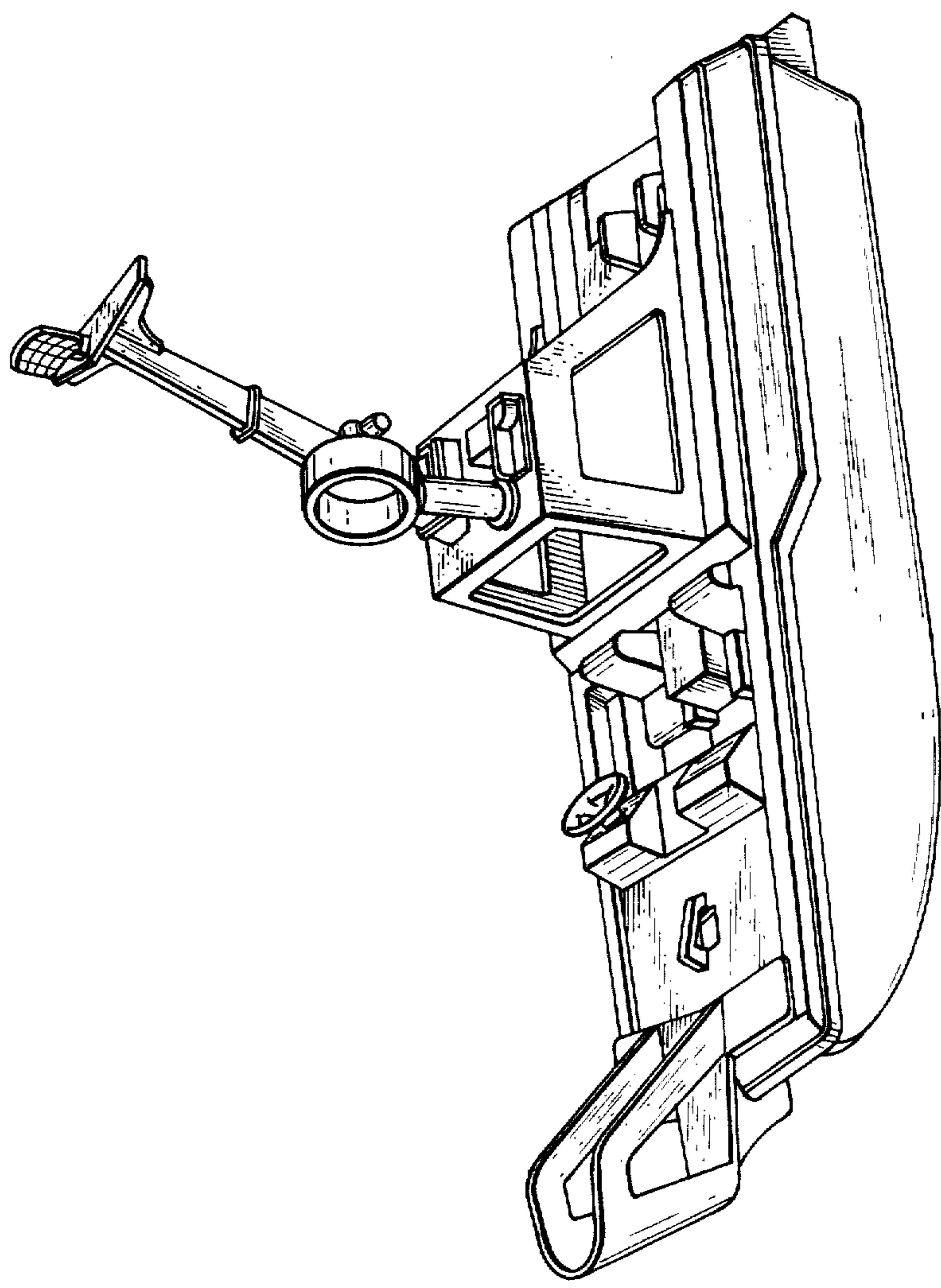


FIG. 1

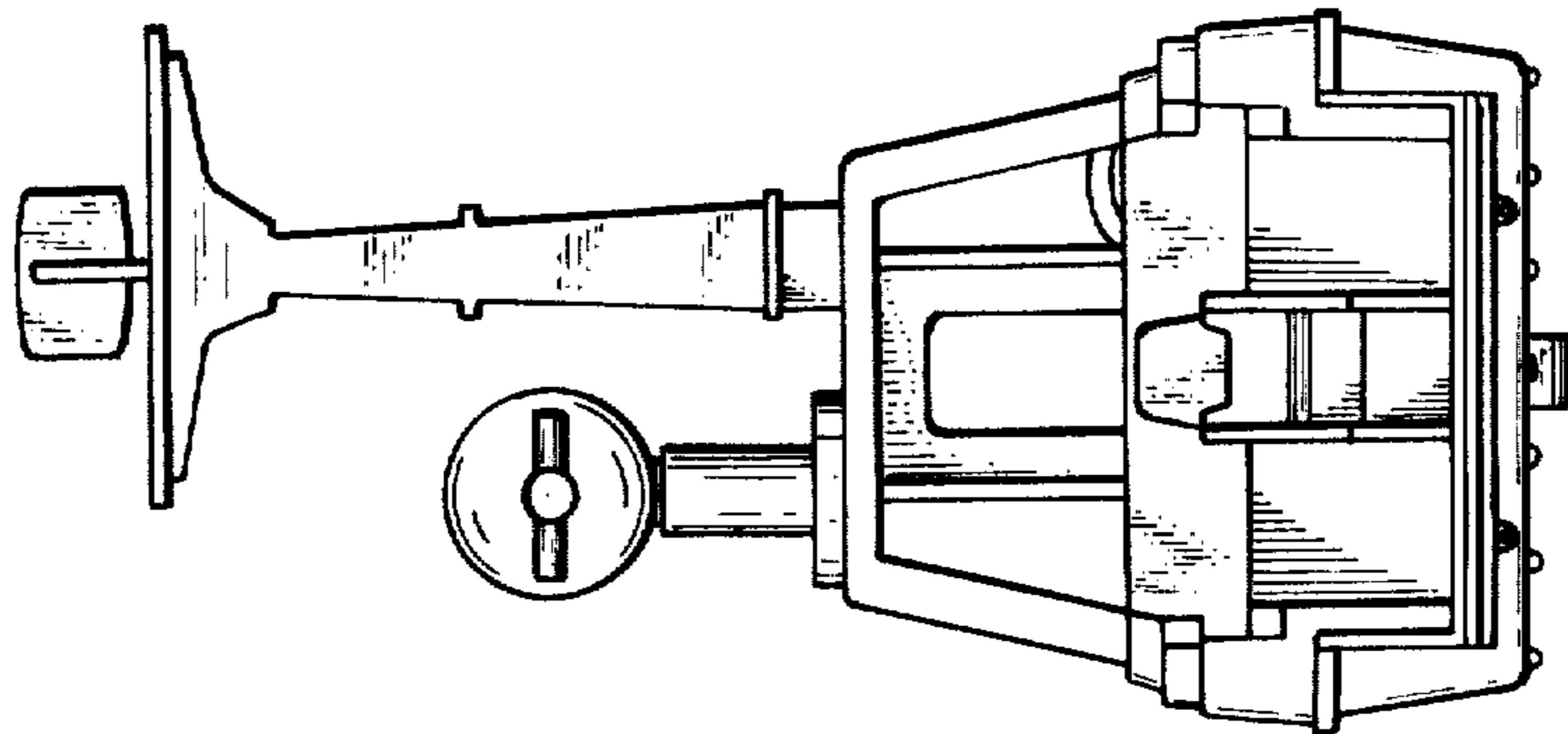


FIG. 2

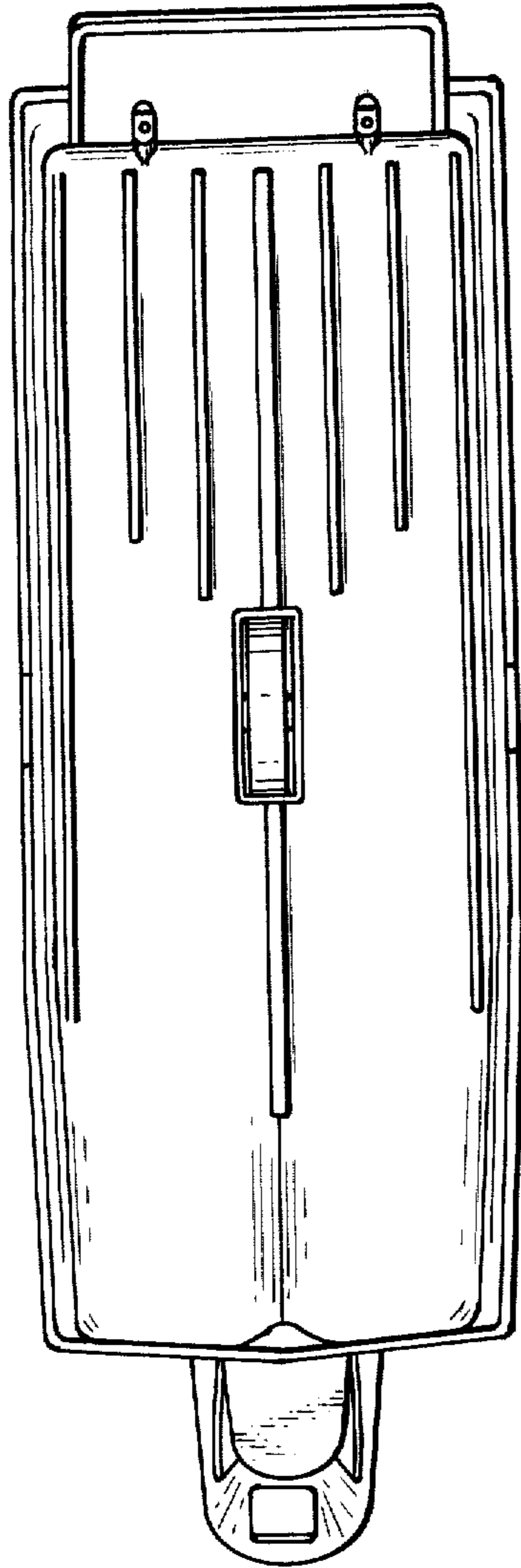


FIG. 4

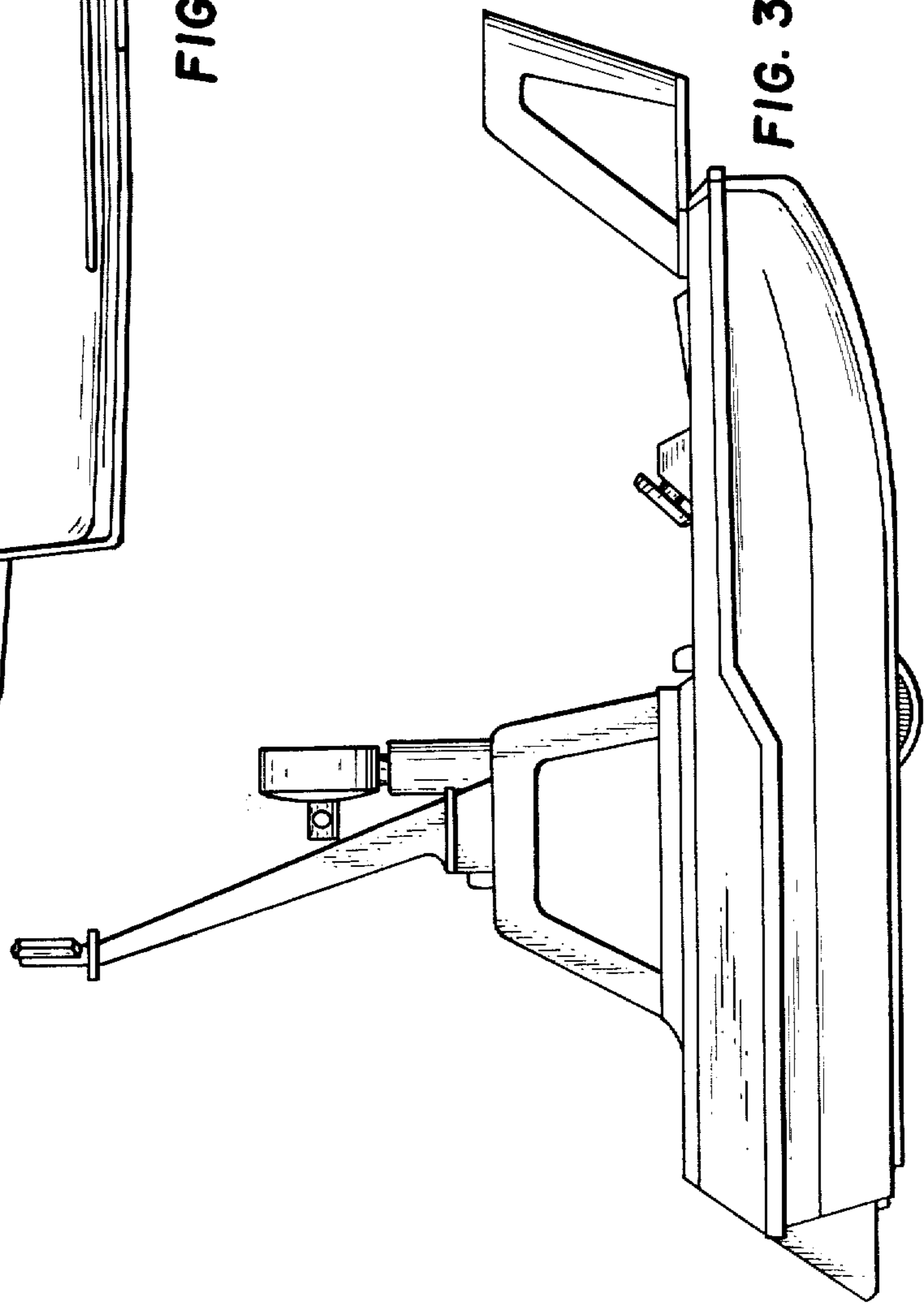


FIG. 3