

[54] **TOY WORKBENCH**

[75] **Inventor:** Merry S. Riehm, East Aurora, N.Y.

[73] **Assignee:** The Quaker Oats Company, Chicago, Ill.

[**] **Term:** 14 Years

[21] **Appl. No.:** 210,266

[22] **Filed:** Nov. 24, 1980

[51] **Int. Cl.** D21-01

[52] **U.S. Cl.** D21/121

[58] **Field of Search** D21/109, 121, 123;
46/1 R, 1 A, 14

[56] **References Cited**

U.S. PATENT DOCUMENTS

D. 129,929 10/1941 Pressman D6/5
2,197,976 4/1940 Fletcher 46/1 A
2,837,862 6/1958 Cleveland 46/1 A

FOREIGN PATENT DOCUMENTS

478649 11/1951 Canada 46/1 A

Primary Examiner—Charles A. Rademaker
Attorney, Agent, or Firm—Cumpston & Shaw

[57] **CLAIM**

The ornamental design for a toy workbench, substantially as shown.

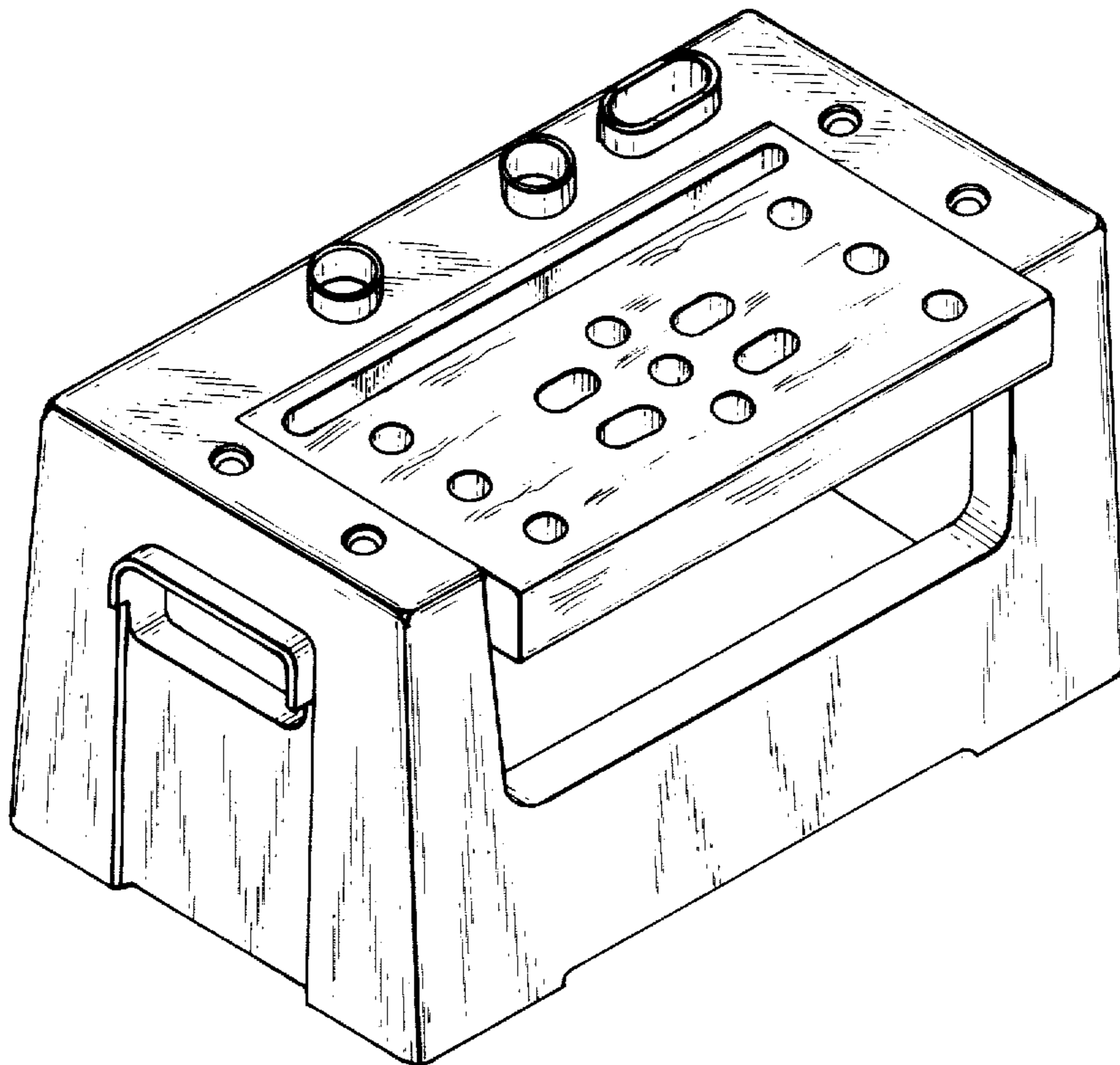
DESCRIPTION

FIG. 1 is a front perspective view of a toy workbench showing my new design;

FIG. 2 is a right end elevational view thereof;

FIG. 3 is a rear elevational view thereof; and,

FIG. 4 is a bottom plan view thereof.



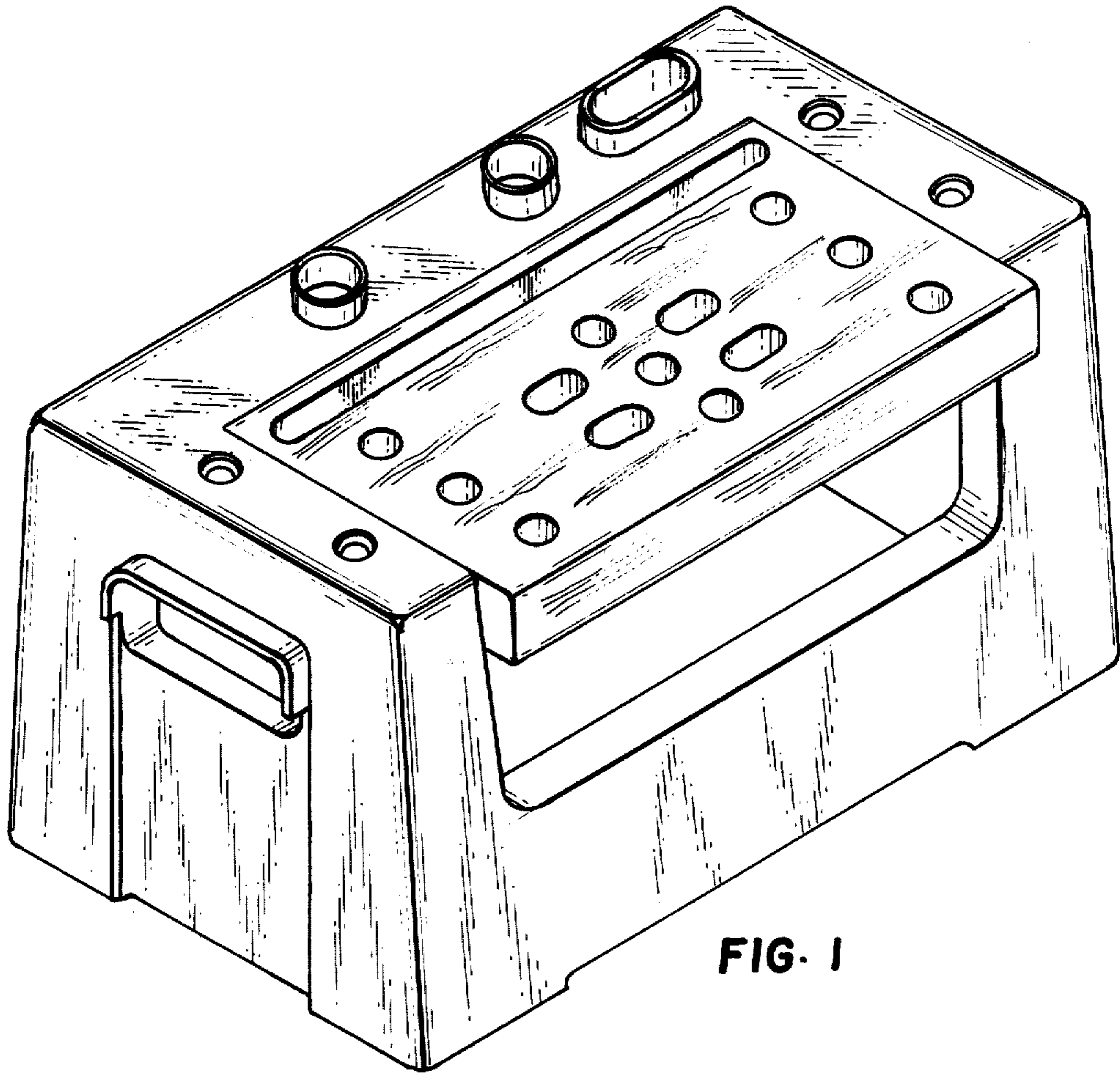


FIG. 1

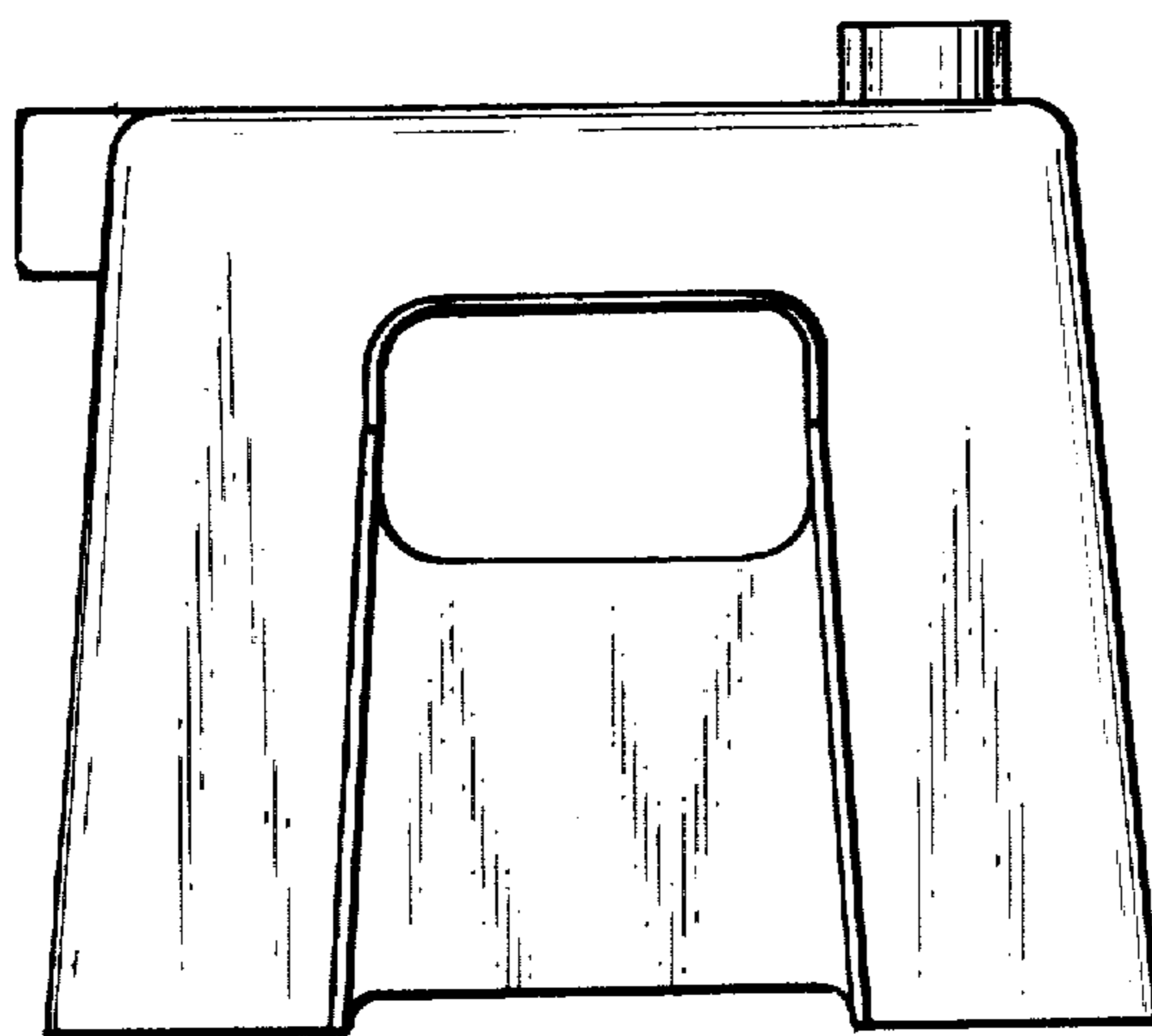


FIG. 2

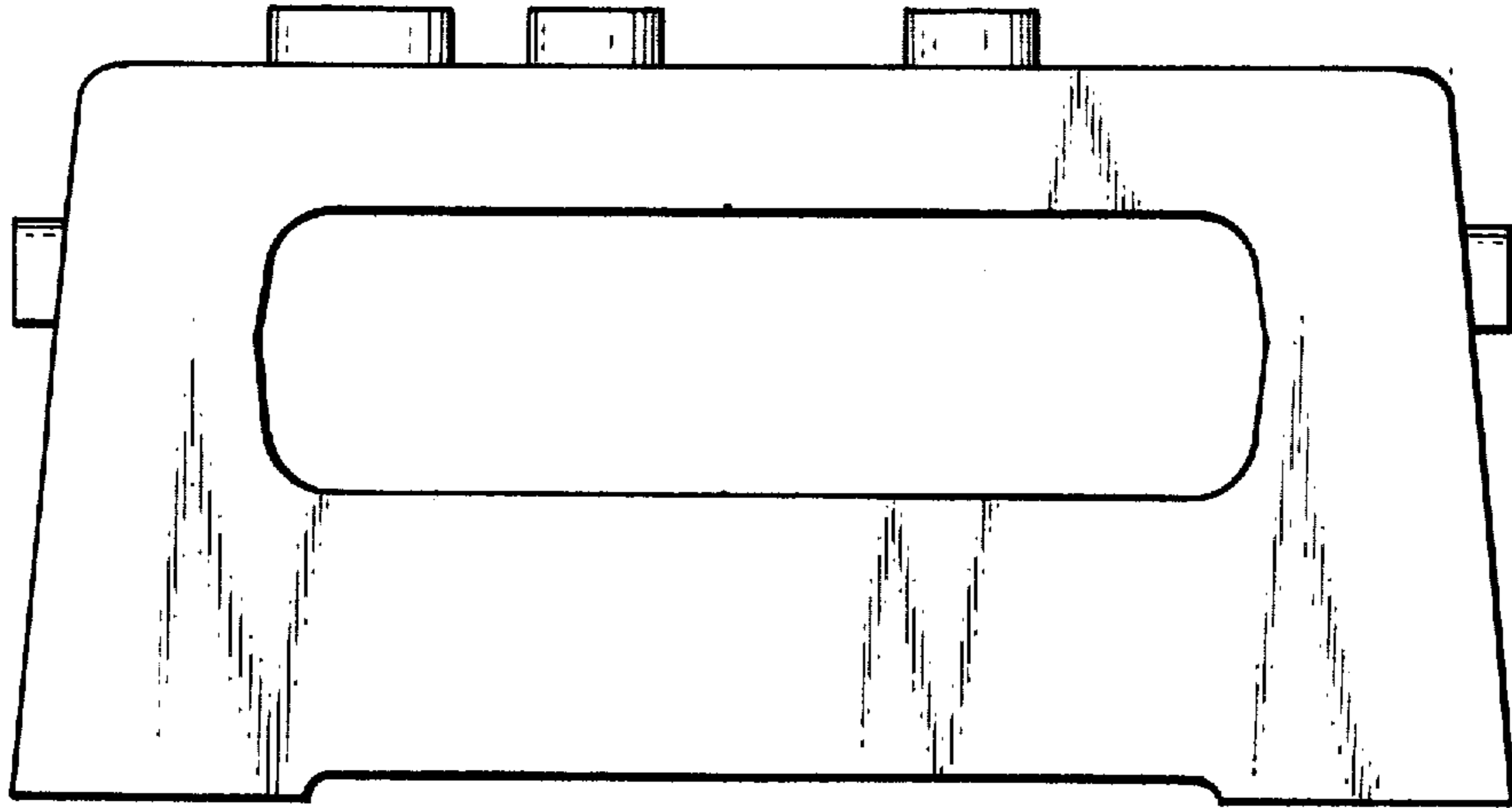


FIG. 3

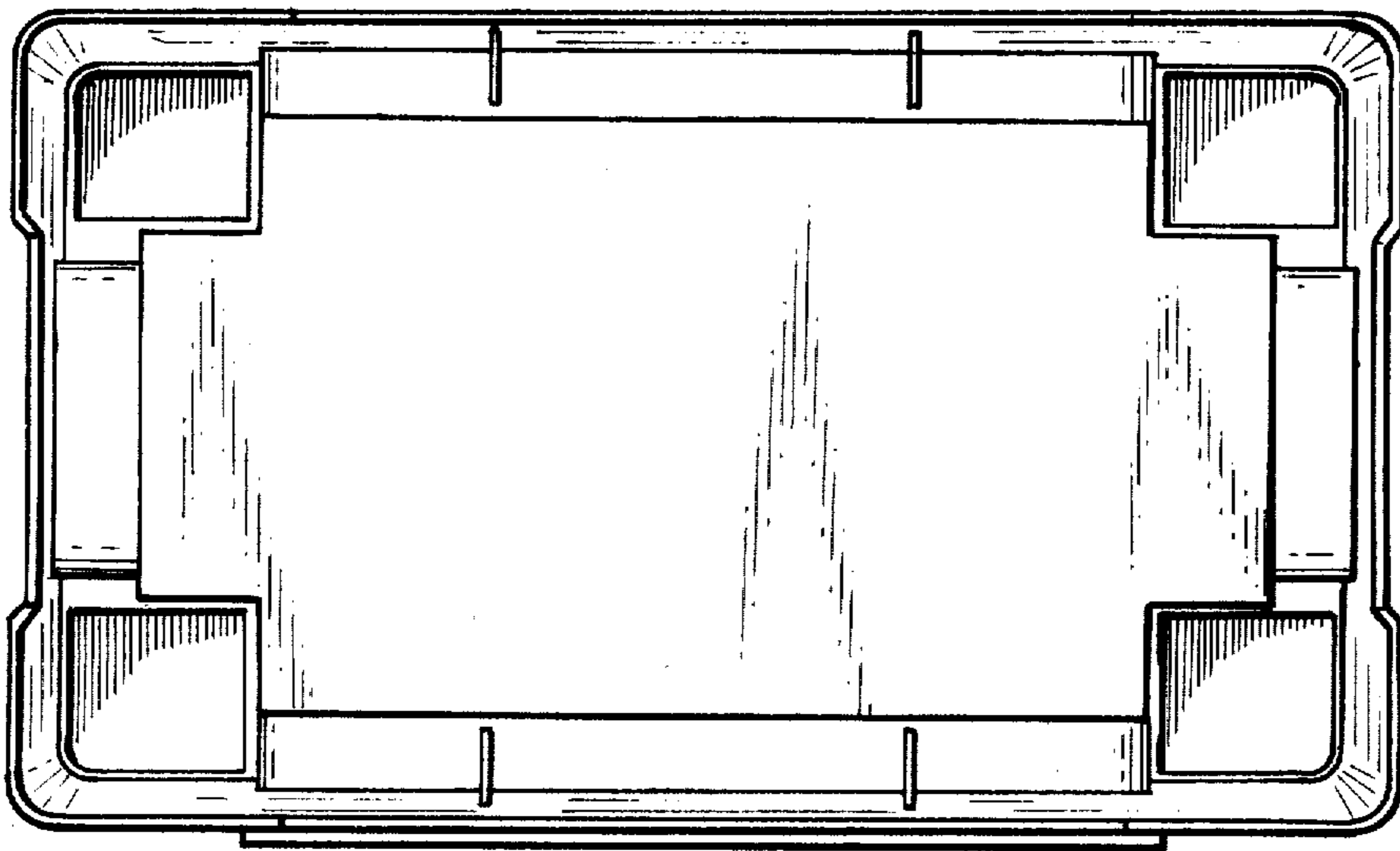


FIG. 4