

[54] TOY AIRPORT

- [75] Inventor: Augusto Argandoná, East Aurora, N.Y.
- [73] Assignee: The Quaker Oats Company, Chicago, Ill.
- [\*\*] Term: 14 Years
- [21] Appl. No.: 216,264
- [22] Filed: Dec. 15, 1980
- [51] Int. Cl. .... D21-01
- [52] U.S. Cl. .... D21/118; D21/119
- [58] Field of Search ..... D21/114-117, D21/119; 46/1 R, 12, 1 A, 1 B

- [56] **References Cited**  
**U.S. PATENT DOCUMENTS**  
 D. 233,458 10/1974 Reiling ..... D21/119

OTHER PUBLICATIONS

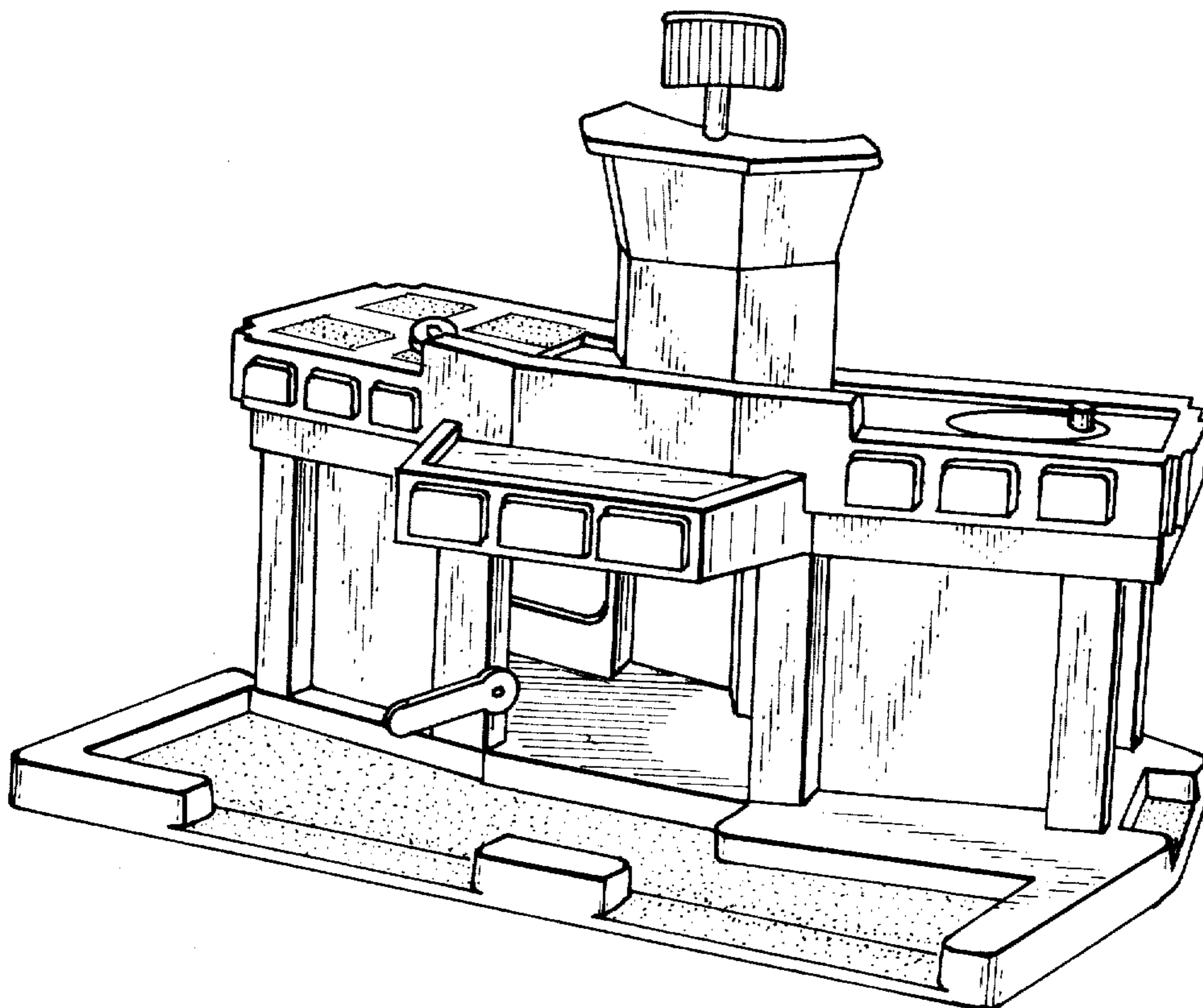
- Sears Wish Book, Xmas-1979, p. 607, "Matchbox" Airport.
- Sears Wish Book, Xmas-1980, p. 603, "Flight School" Set.
- Primary Examiner*—Charles A. Rademaker
- Attorney, Agent, or Firm*—Cumpston & Shaw

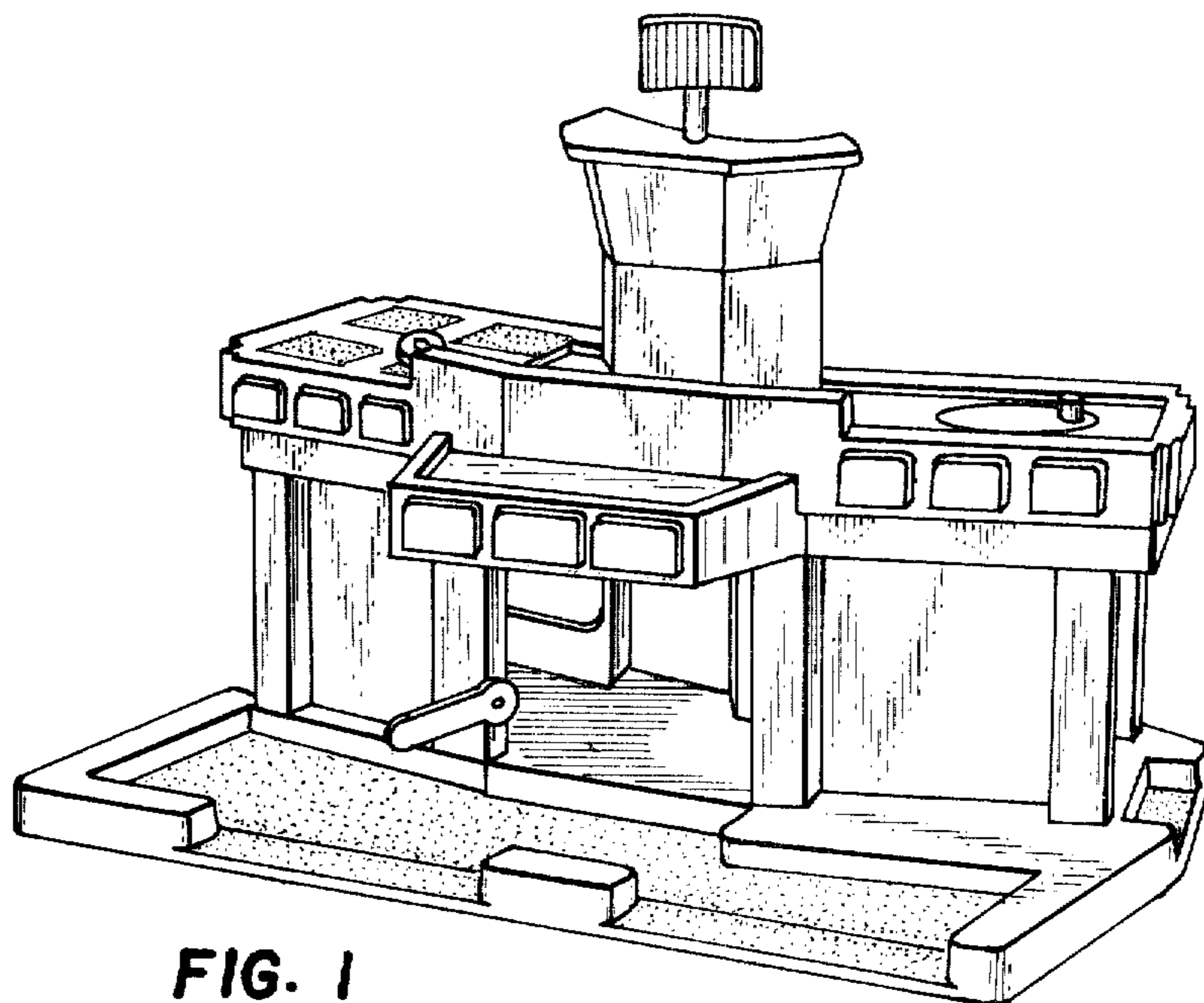
[57] CLAIM

The ornamental design for a toy airport, substantially as shown.

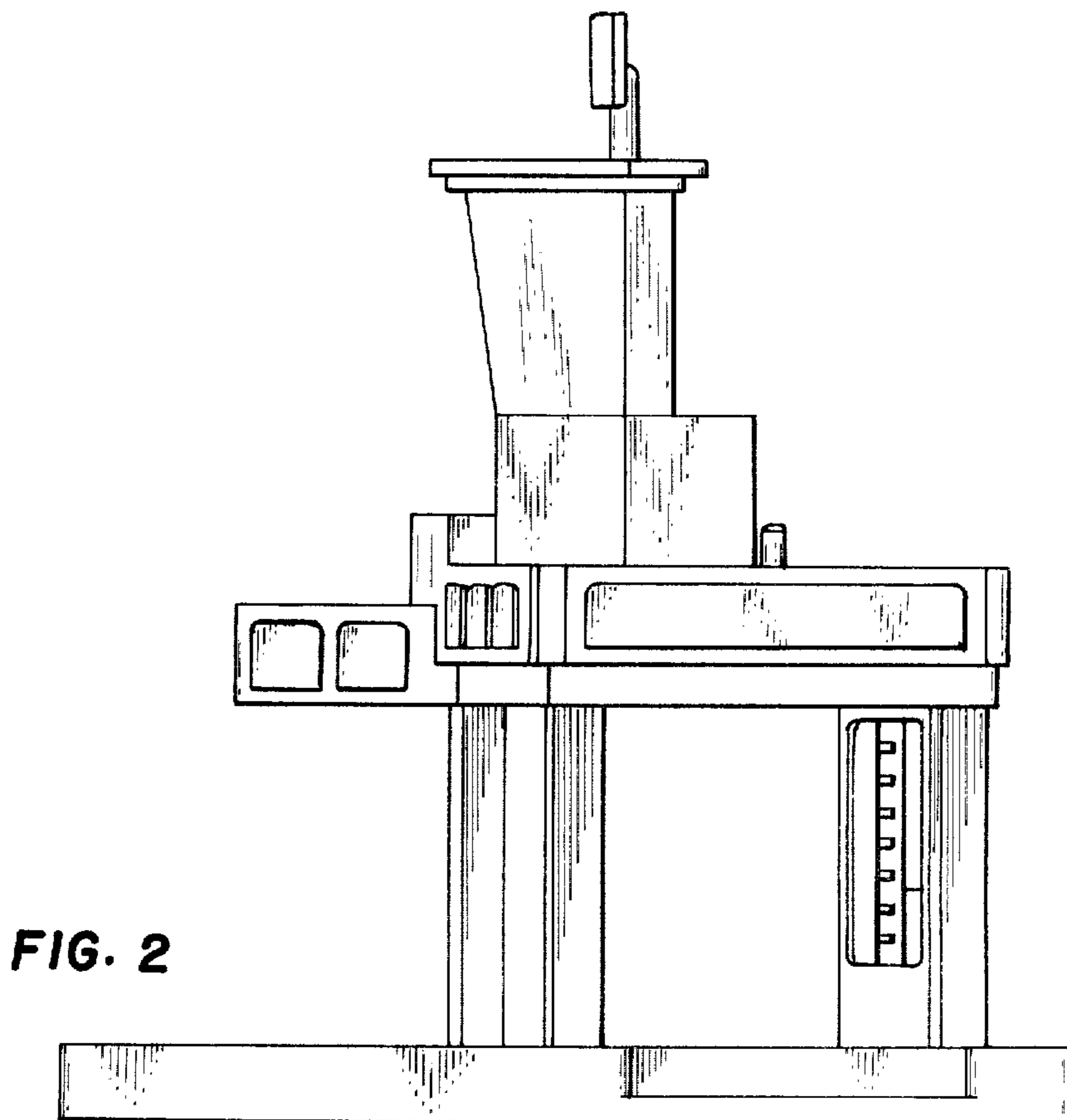
DESCRIPTION

FIG. 1 is a front perspective view of a toy airport showing my new design;  
 FIG. 2 is a left-side elevational view thereof shown on an enlarged scale;  
 FIG. 3 is a top plan view thereof; and  
 FIG. 4 is a rear elevational view thereof.





**FIG. 1**



**FIG. 2**

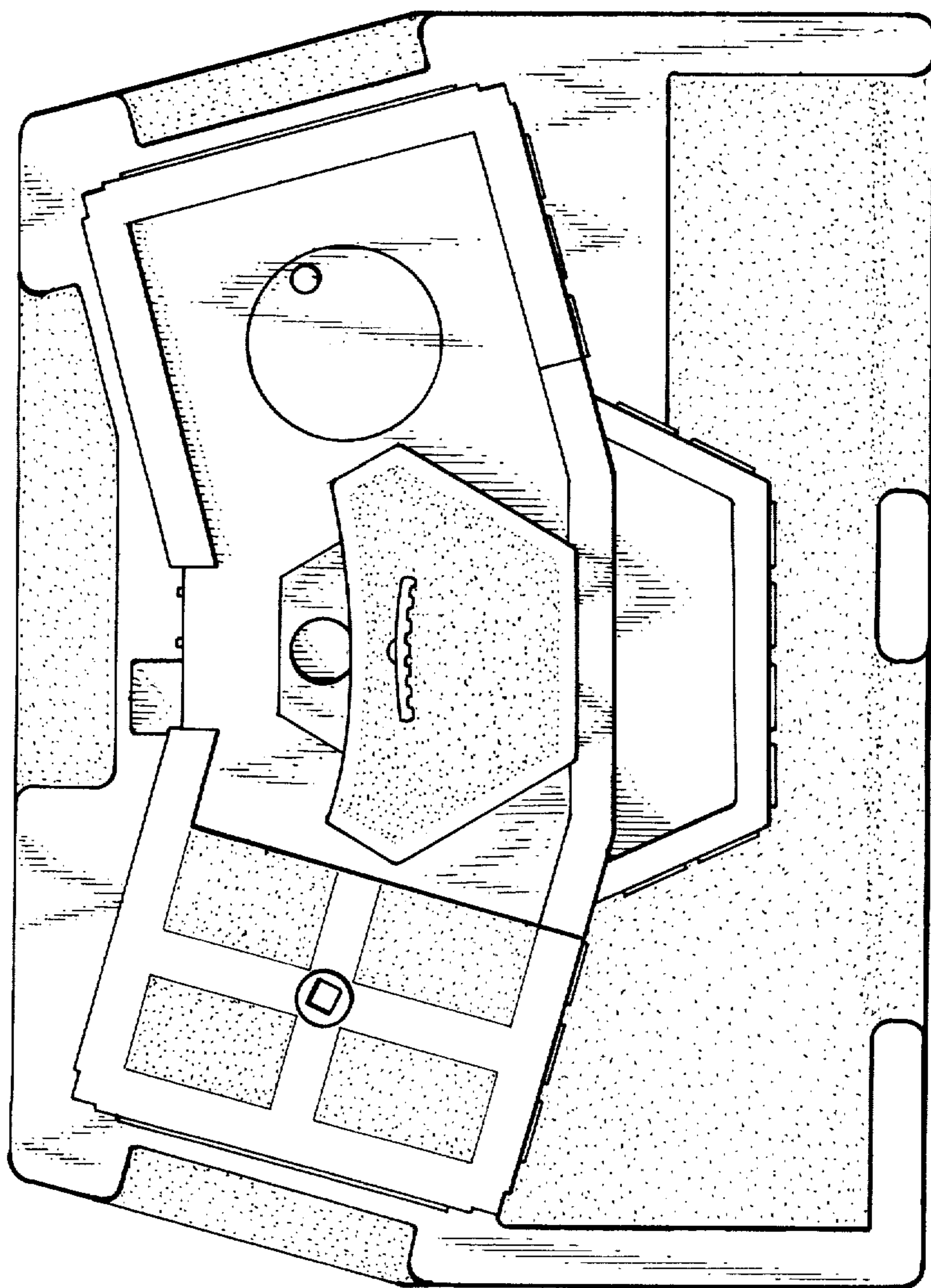


FIG. 3

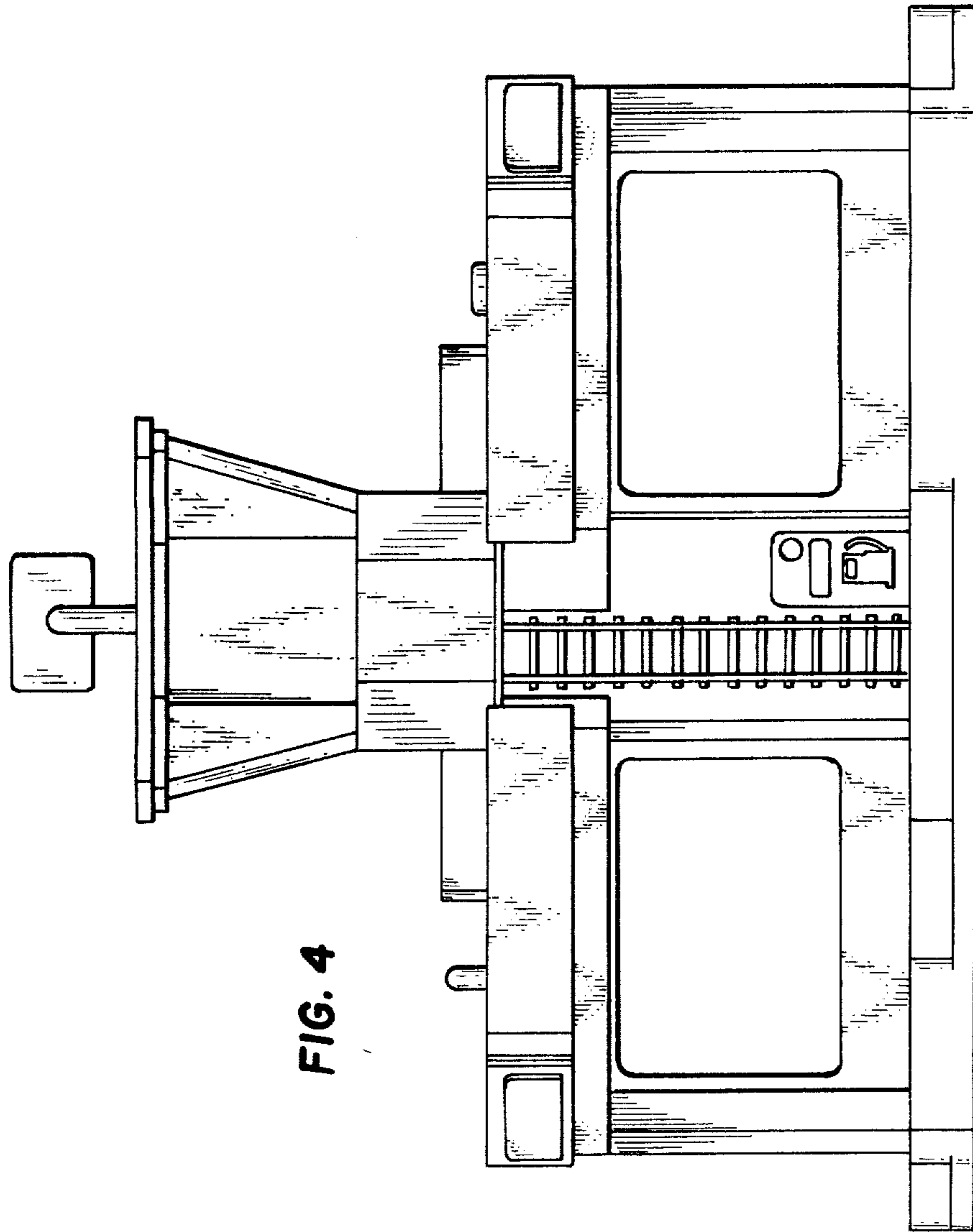


FIG. 4