

[54] **INK-RIBBON CASSETTE**

[75] Inventor: **Masahiko Mori, Shiojiri, Japan**

[73] Assignees: **Shinshu Seiki Kabushiki Kaisha, Suwa; Kabushiki Kaisha Suwa Seikosha, Tokyo, both of Japan**

[**] Term: **14 Years**

[21] Appl. No.: **201,105**

[22] Filed: **Oct. 28, 1980**

[30] **Foreign Application Priority Data**

May 20, 1980 [JP] Japan 55-19724

[51] Int. Cl. **D18-99**

[52] U.S. Cl. **D18/22; D18/12**

[58] Field of Search **D18/11-13, D18/22, 99; D14/111, 11; 400/196, 196.1, 207, 208, 208.1; 242/55, 19 A, 194, 197-200**

[56] **References Cited**

U.S. PATENT DOCUMENTS

- D. 187,117 1/1960 Takahama D14/11
- D. 237,747 11/1975 Ludwick et al. D14/11 X
- D. 255,676 7/1980 McGuire D14/11

Primary Examiner—Louis S. Zarfes
Attorney, Agent, or Firm—Blum, Kaplan, Friedman, Silberman & Beran

[57] **CLAIM**

The ornamental design for an ink-ribbon cassette, as shown.

DESCRIPTION

- FIG. 1 is a front perspective view of an ink-ribbon cassette in accordance with my new design;
- FIG. 2 is a top plan view thereof;
- FIG. 3 is a front elevational view thereof;
- FIG. 4 is a left side view thereof;
- FIG. 5 is a right side view thereof;
- FIG. 6 is a rear elevational view thereof; and
- FIG. 7 is a bottom plan view thereof.

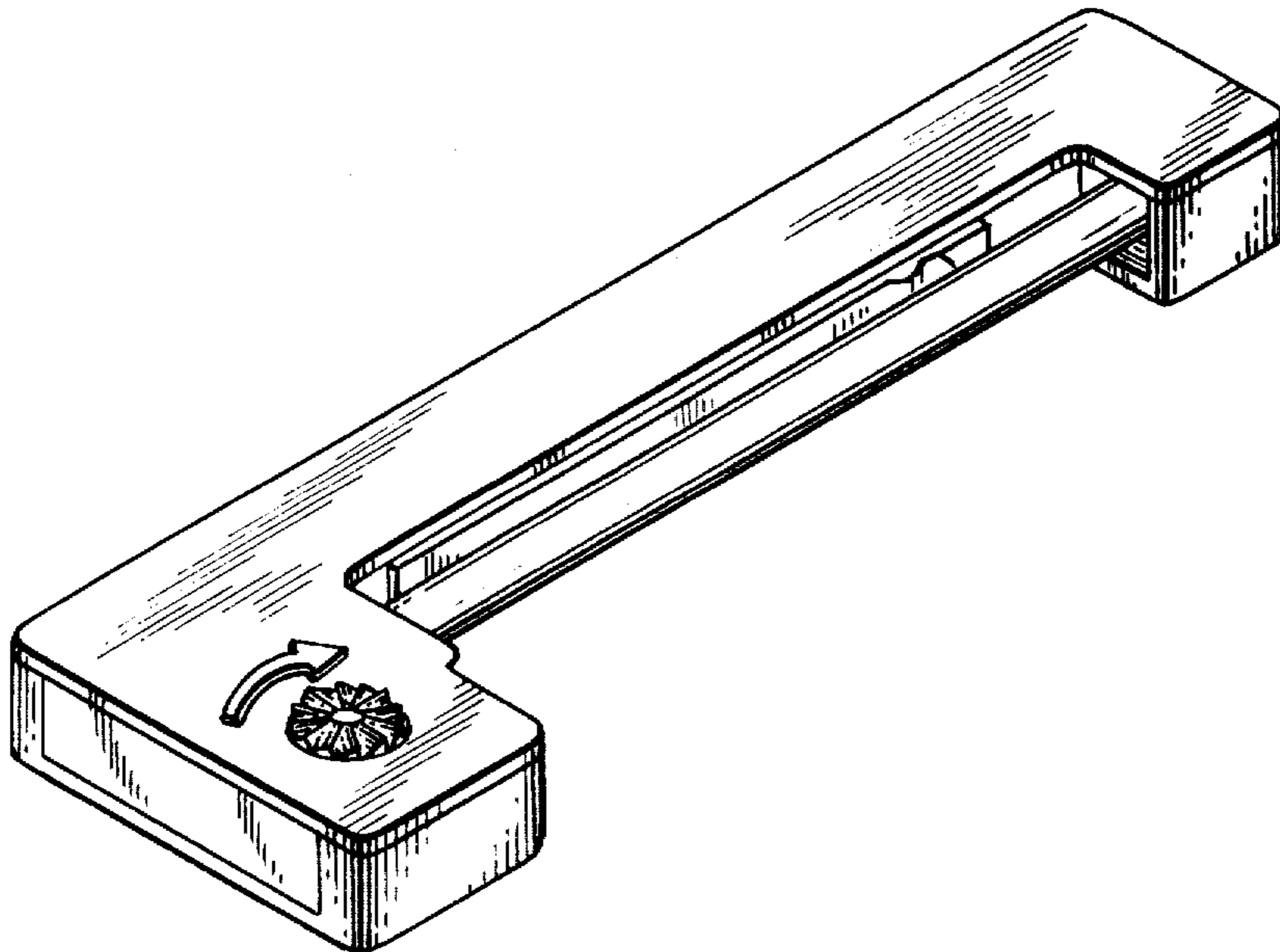


FIG. 1

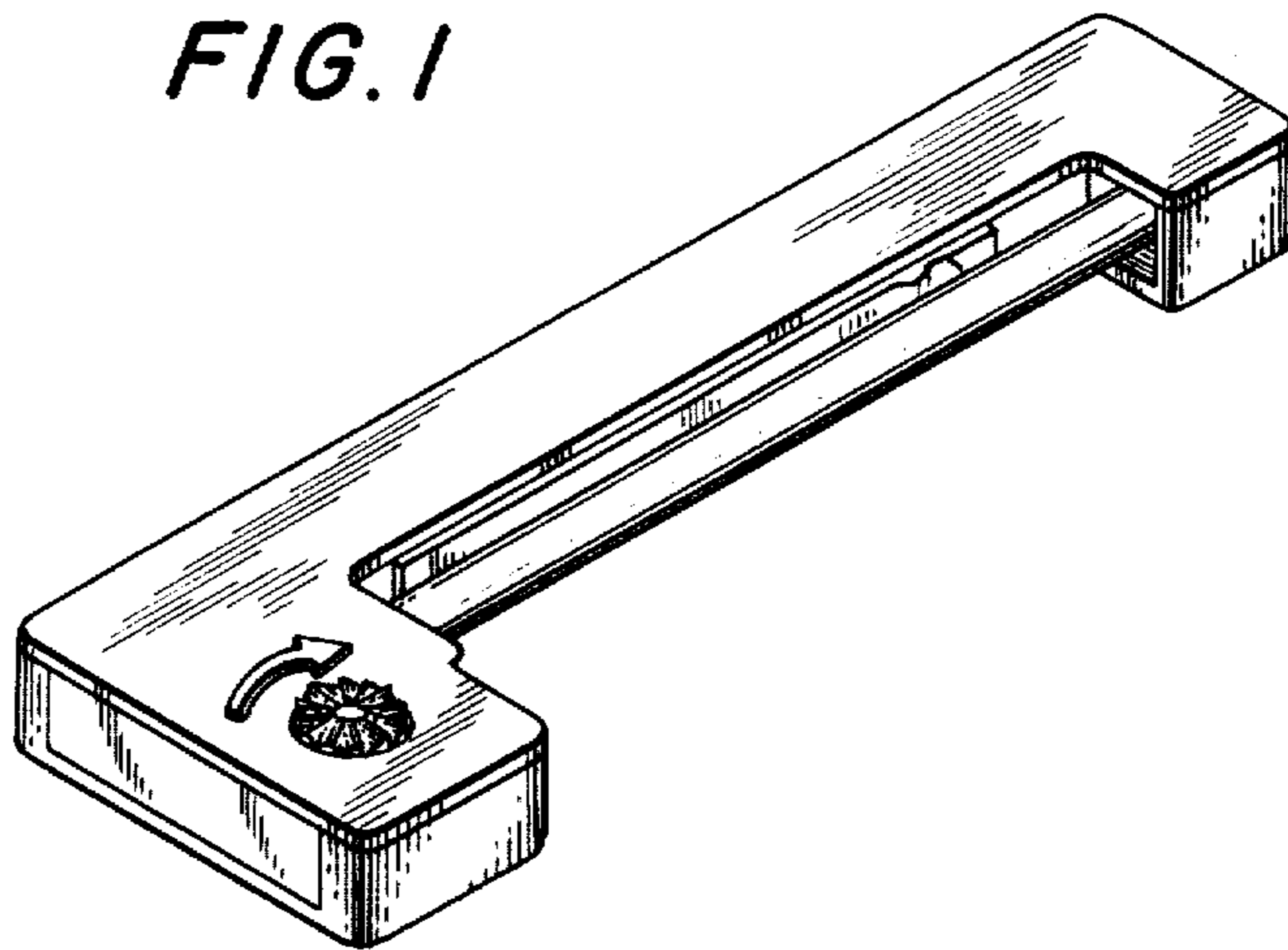


FIG. 2

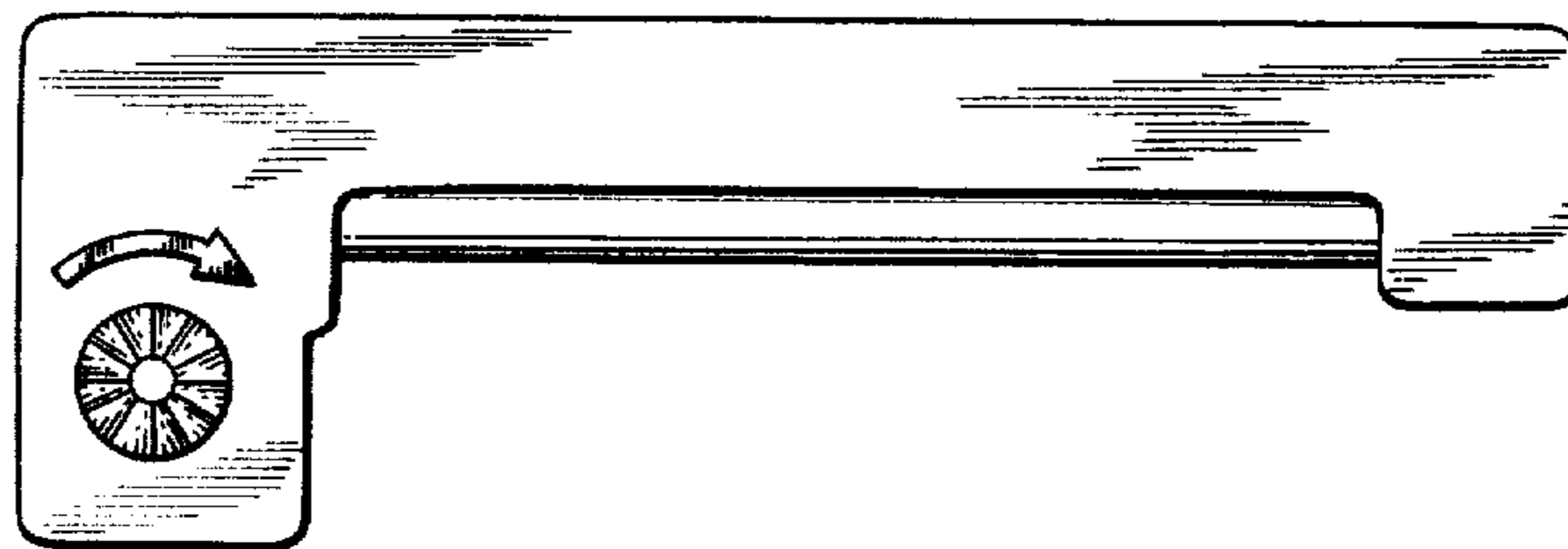


FIG. 3

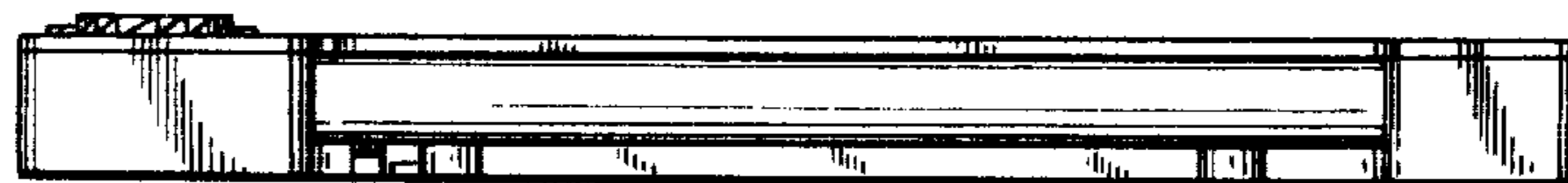


FIG. 4



FIG. 5



FIG. 6

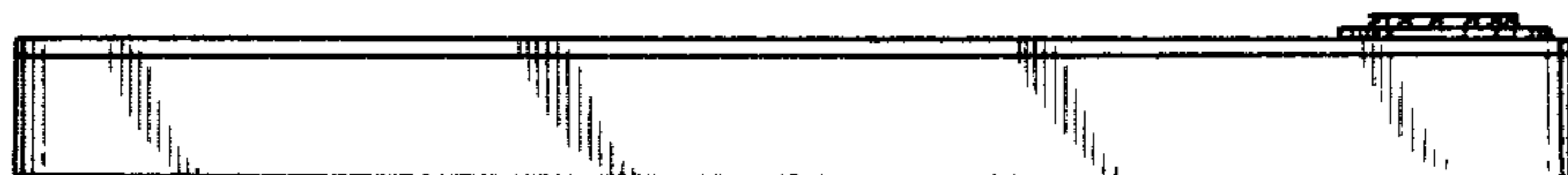


FIG. 7

