

[54] **INKED TAPE CARTRIDGE**

[75] Inventor: **Robert C. Hoffman**, Park Ridge, Ill.  
[73] Assignee: **Qwint Systems, Inc.**, Northbrook, Ill.  
[\*\*] Term: **14 Years**  
[21] Appl. No.: **241,496**  
[22] Filed: **Mar. 9, 1981**

[51] Int. Cl. .... **D18-01**  
[52] U.S. Cl. .... **D18/12; D14/11**  
[58] Field of Search ..... **D18/1, 2, 12, 22;**  
**D14/11; 400/194-196.1, 207, 144.2-144.4, 175;**  
**242/55.19 A, 197-200**

[56] **References Cited**  
**U.S. PATENT DOCUMENTS**

3,941,231 3/1976 Matuck et al. .... 400/196.1  
3,989,132 11/1976 Carson, Jr. .... 400/195  
4,034,935 7/1977 Plaza et al. .... 242/197

**FOREIGN PATENT DOCUMENTS**

55-888 4/1980 Japan ..... 400/195

**OTHER PUBLICATIONS**

*Xerox Disclosure Journal*, vol. 2, Number 6, Nov./Dec. 1977, p. 45-Ribbon Cartridge.

*Primary Examiner*—Louis S. Zarfes  
*Attorney, Agent, or Firm*—Lockwood, Dewey, Alex & Cummings

[57] **CLAIM**

The ornamental design for an inked tape cartridge, substantially as shown and described.

**DESCRIPTION**

FIG. 1 is a top perspective view of an inked tape cartridge showing my new design.  
FIG. 2 is a bottom perspective view.  
FIG. 3 is a top plan view.  
FIG. 4 is a front elevational view.  
FIG. 5 is a bottom plan view.  
FIG. 6 is a rear elevational view.  
FIG. 7 is a right side elevational view.  
FIG. 8 is a left side elevational view.

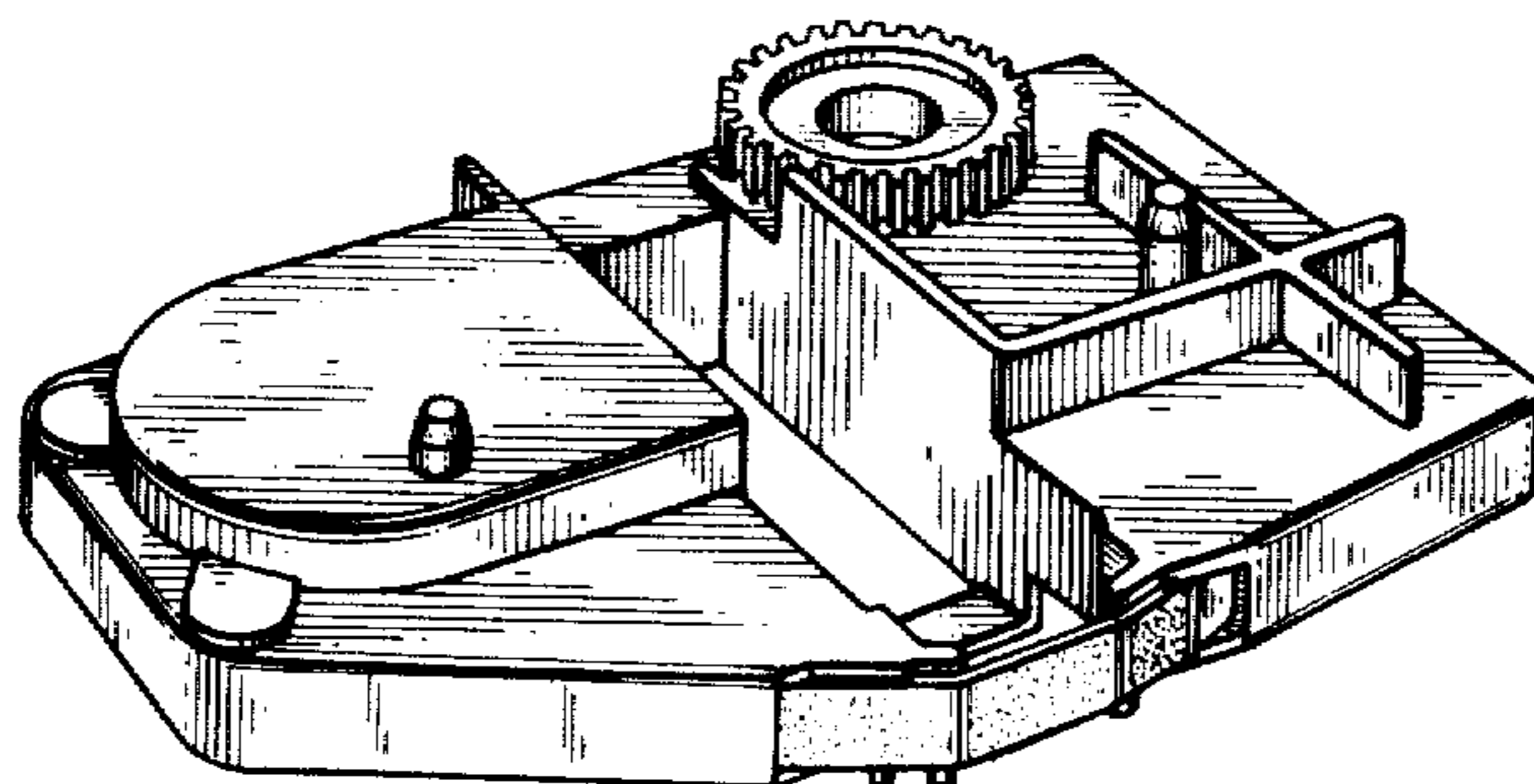
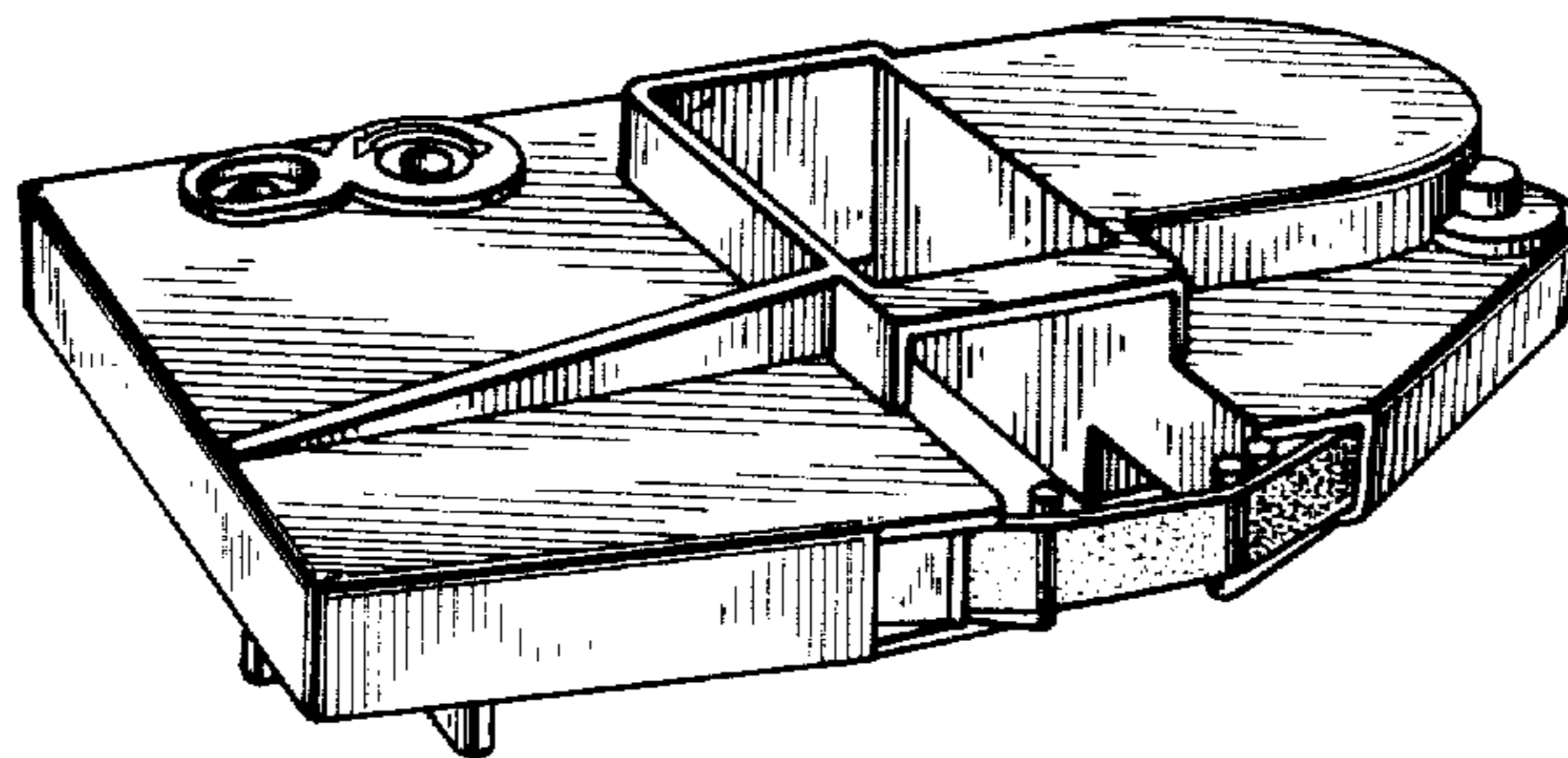


FIG. 1

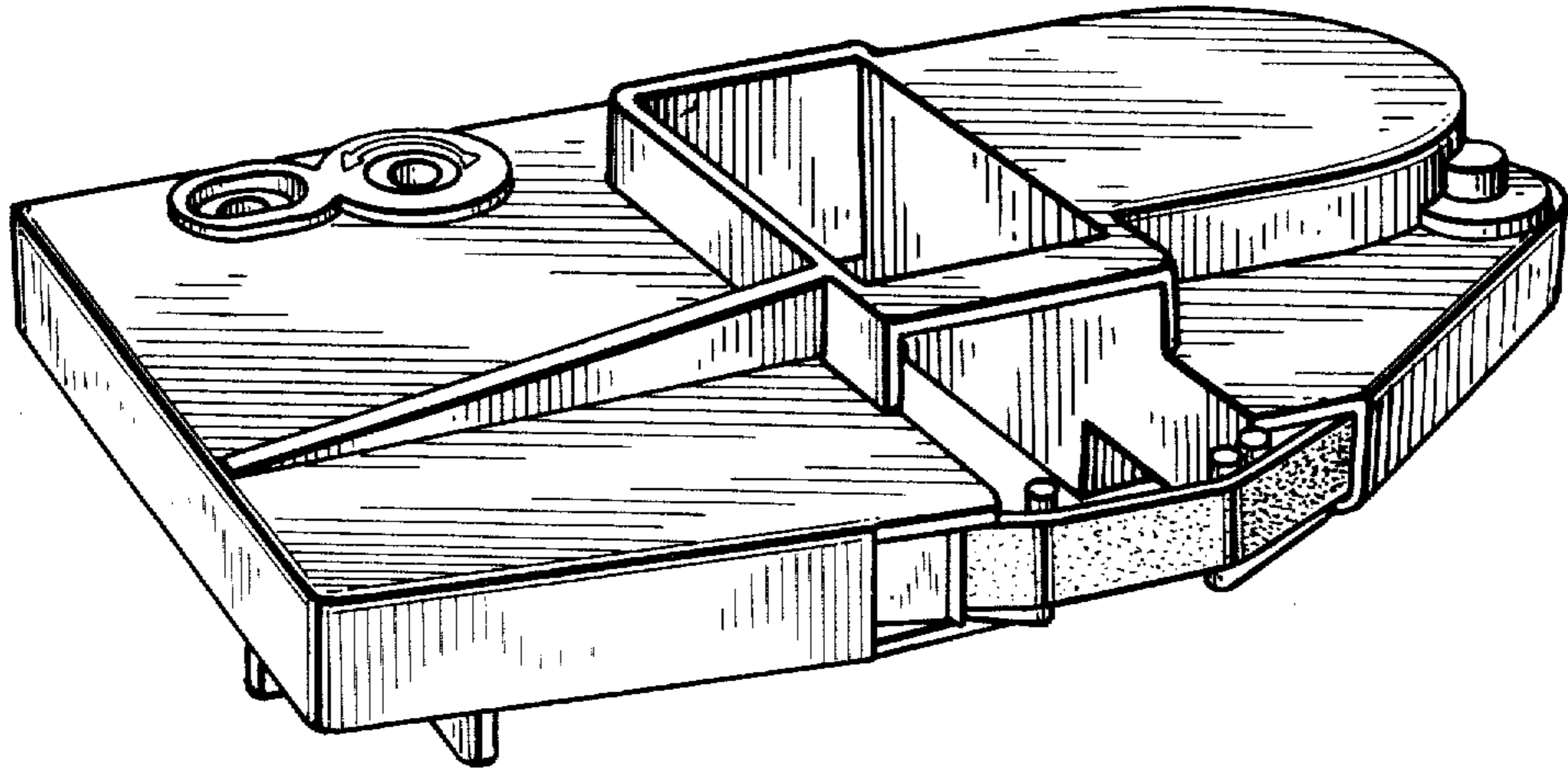


FIG. 2

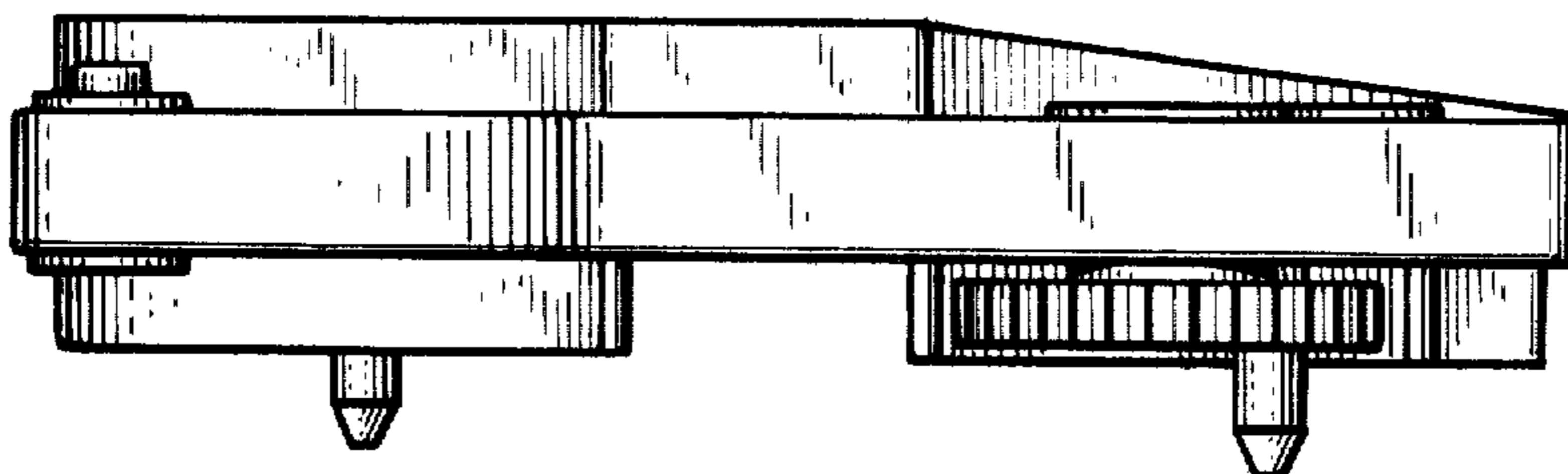
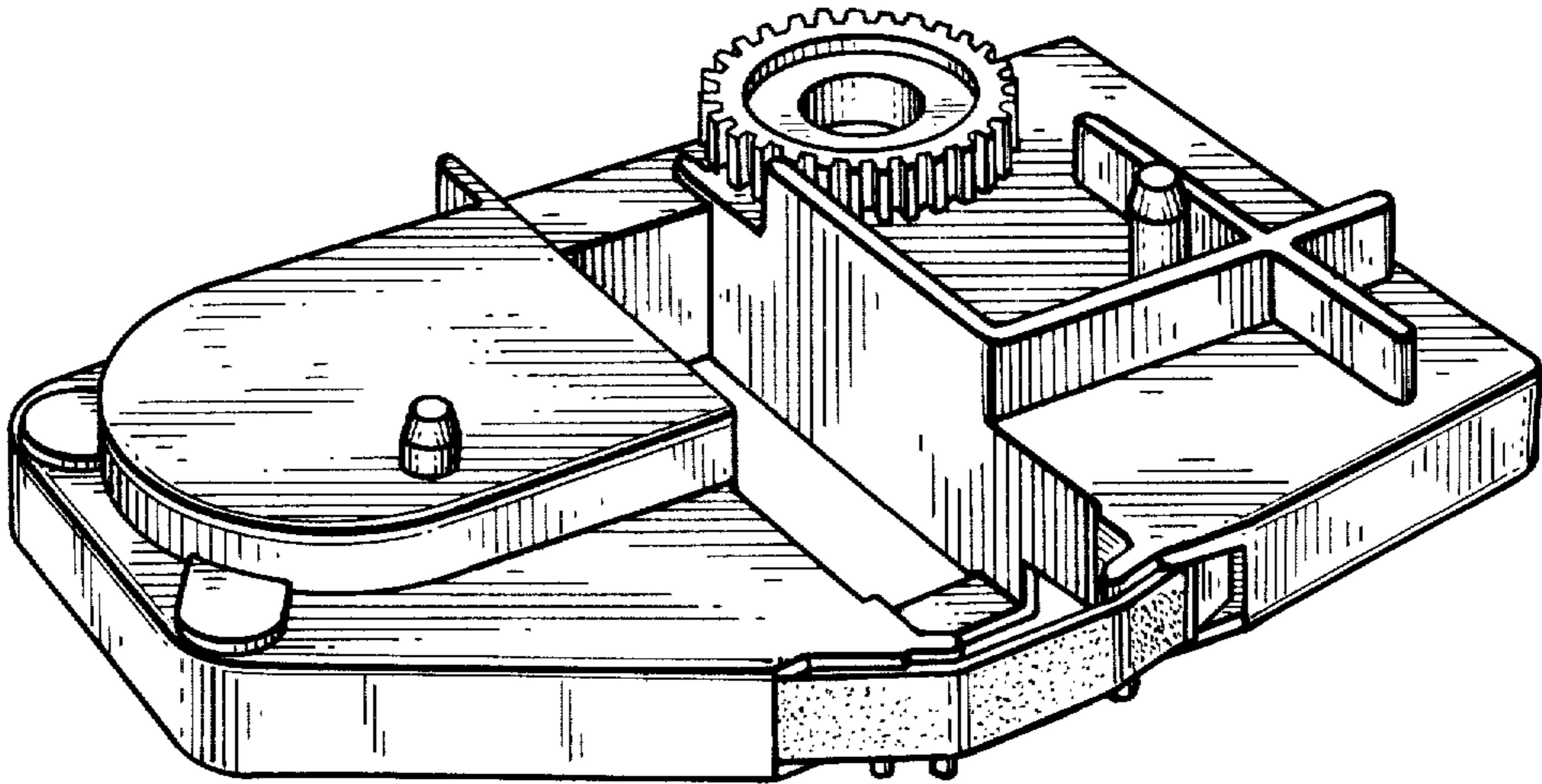


FIG. 6

FIG. 3

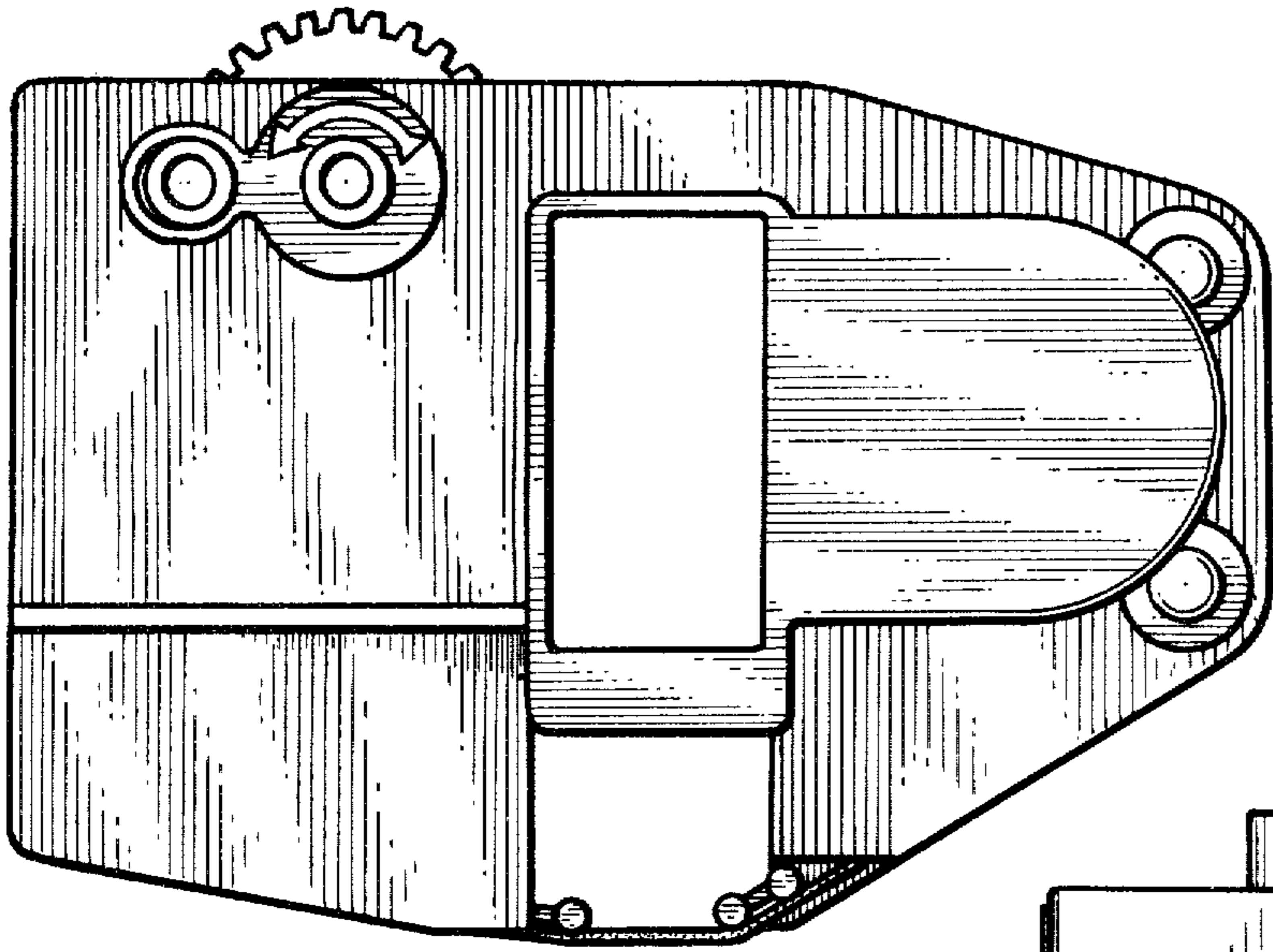


FIG. 7

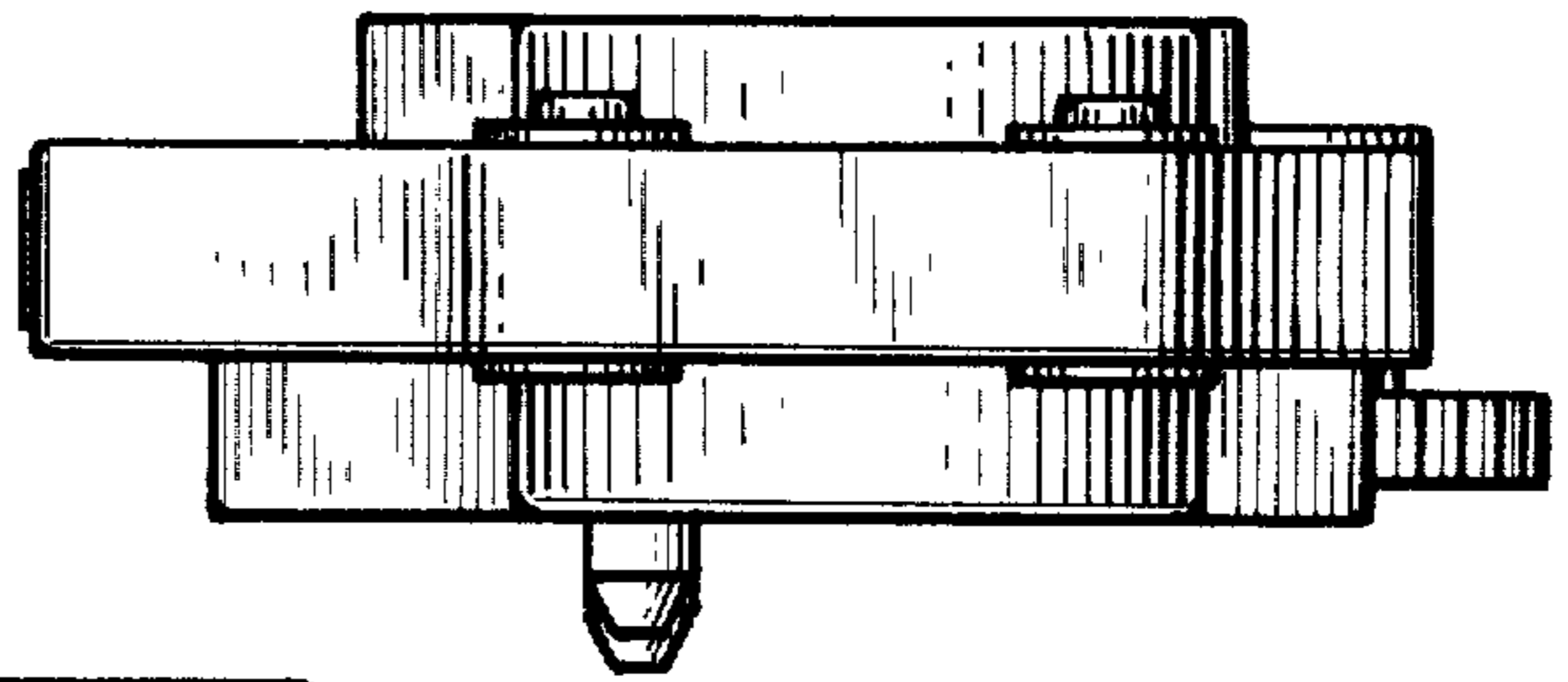


FIG. 4

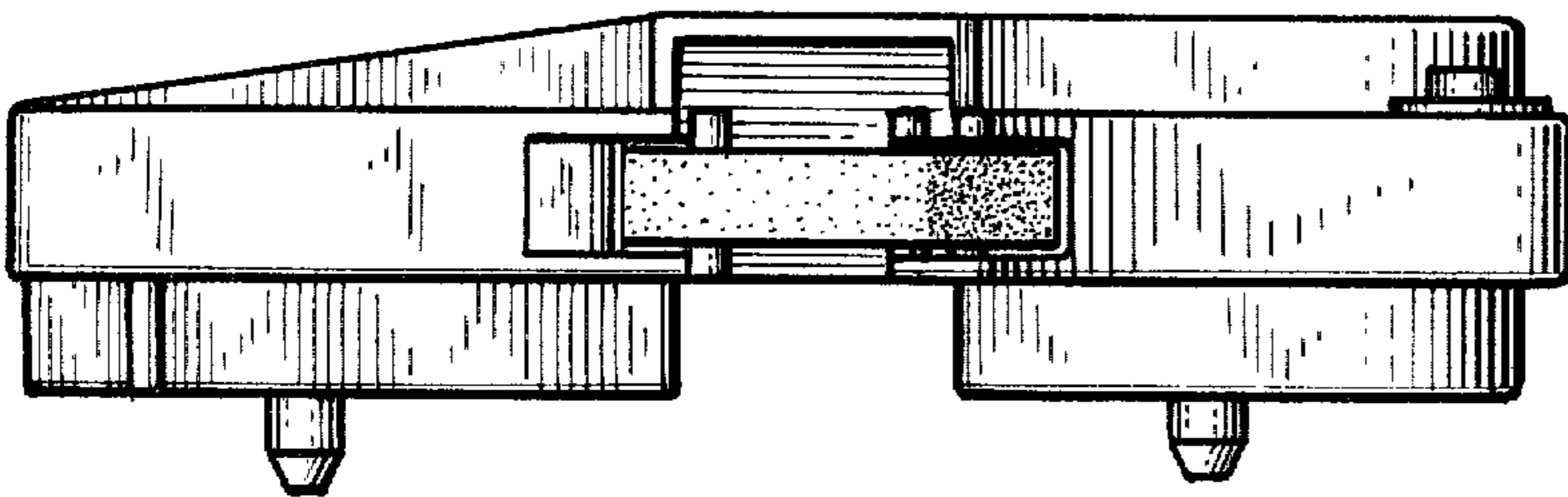


FIG. 8

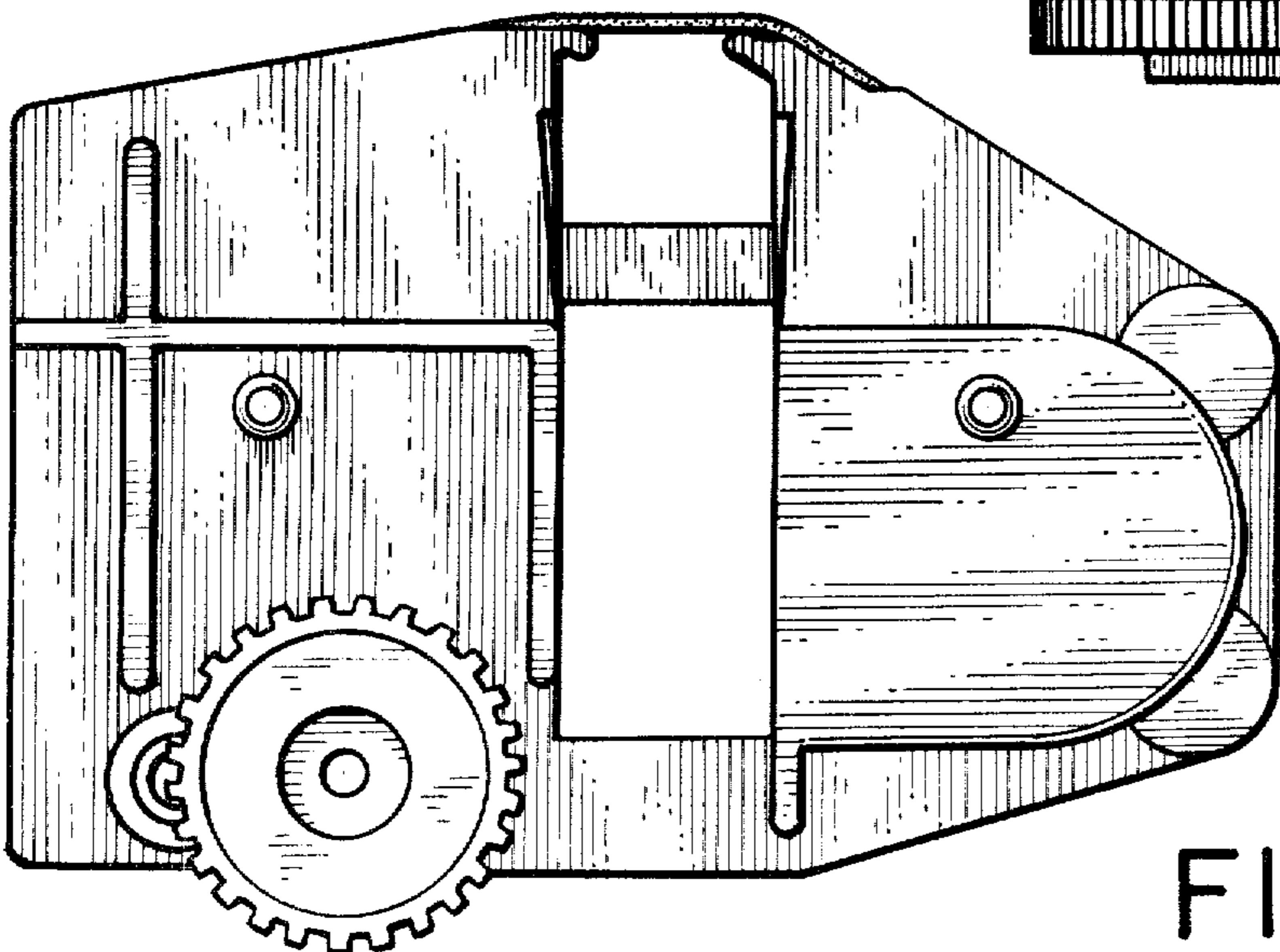
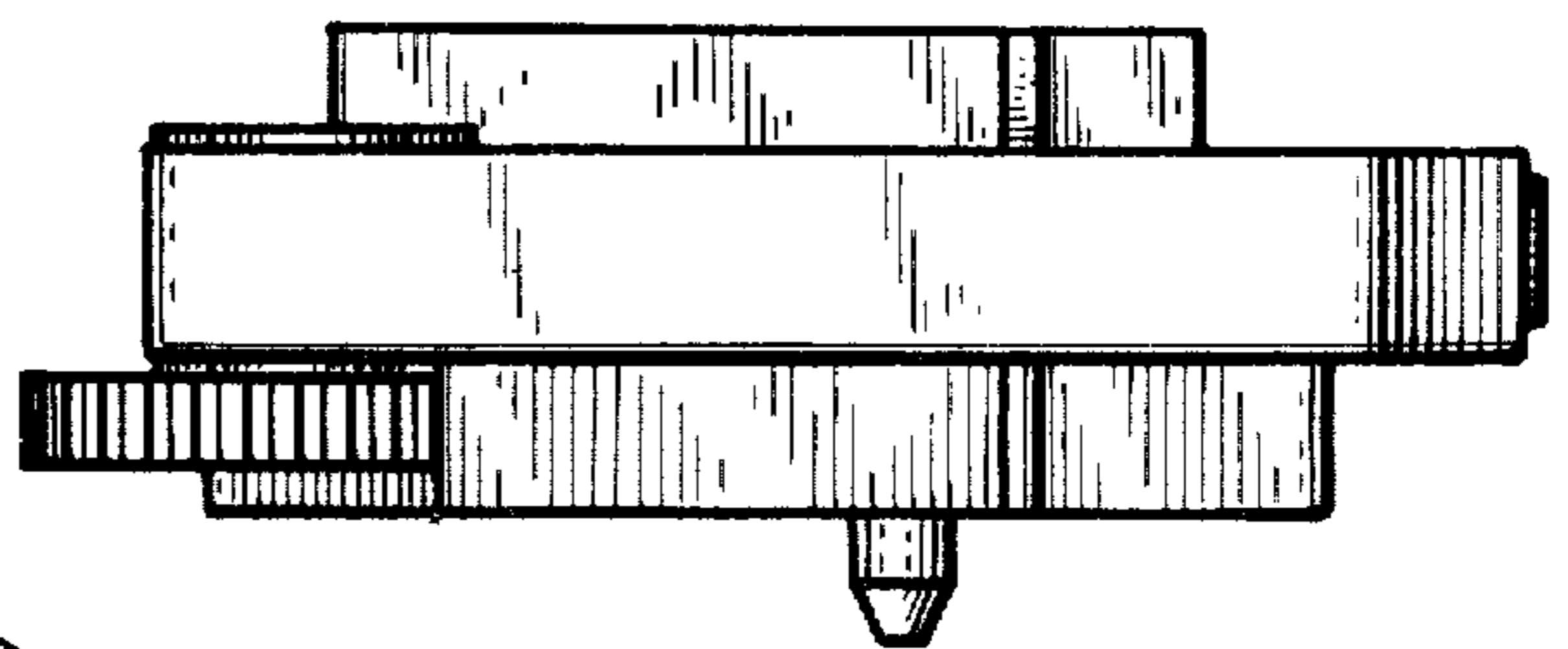


FIG. 5