

[54] MOTORCYCLE

[75] Inventors: Koichiro Ban, Tachikawa; Tsunemi Kawashima, Tokyo; Toshiharu Shimizu, Tokorozawa, all of Japan

[73] Assignee: Yamaha Hatsudoki Kabushiki Kaisha, Japan

[**] Term: 14 Years

[21] Appl. No.: 237,640

[22] Filed: Feb. 24, 1981

[30] Foreign Application Priority Data

Aug. 27, 1980 [JP] Japan 55-35382

[51] Int. Cl. D12-11

[52] U.S. Cl. D12/110

[58] Field of Search D12/110; 180/219, 223

[56] References Cited

U.S. PATENT DOCUMENTS

D. 252,141 6/1979 Matsuoka et al. D12/110
D. 253,588 12/1979 Ban et al. D12/110

Primary Examiner—James M. Gandy
Attorney, Agent, or Firm—Ostrolenk, Faber, Gerb & Soffen

[57] CLAIM

The ornamental design for a motorcycle, as shown.

DESCRIPTION

FIG. 1 is a perspective view of a motorcycle showing our new design;
FIG. 2 is a left side elevational view thereof;
FIG. 3 is a right side elevational view thereof;
FIG. 4 is a front elevational view thereof;
FIG. 5 is a rear elevational view thereof; and
FIG. 6 is a top plan view thereof.



FIG. 1



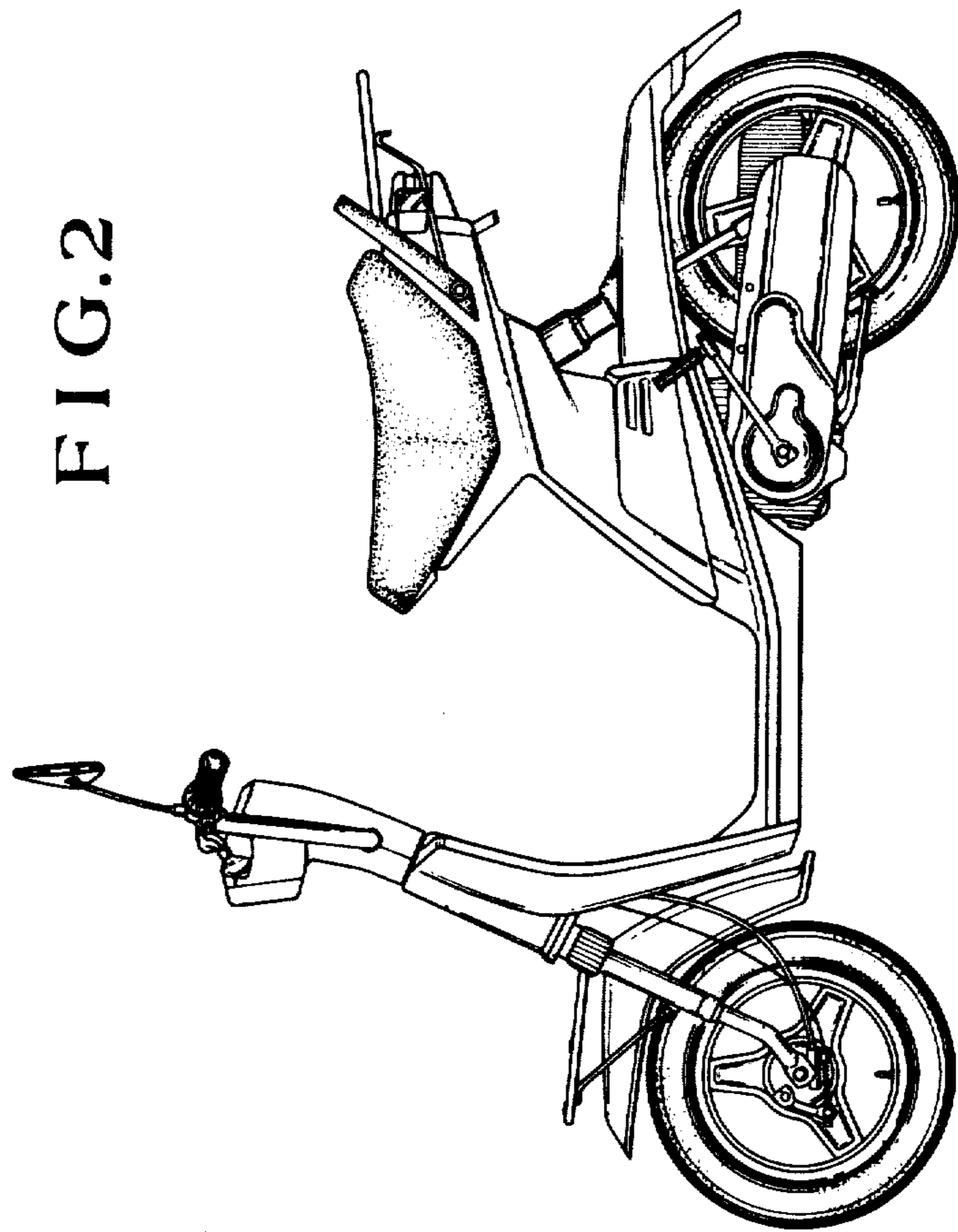


FIG. 2

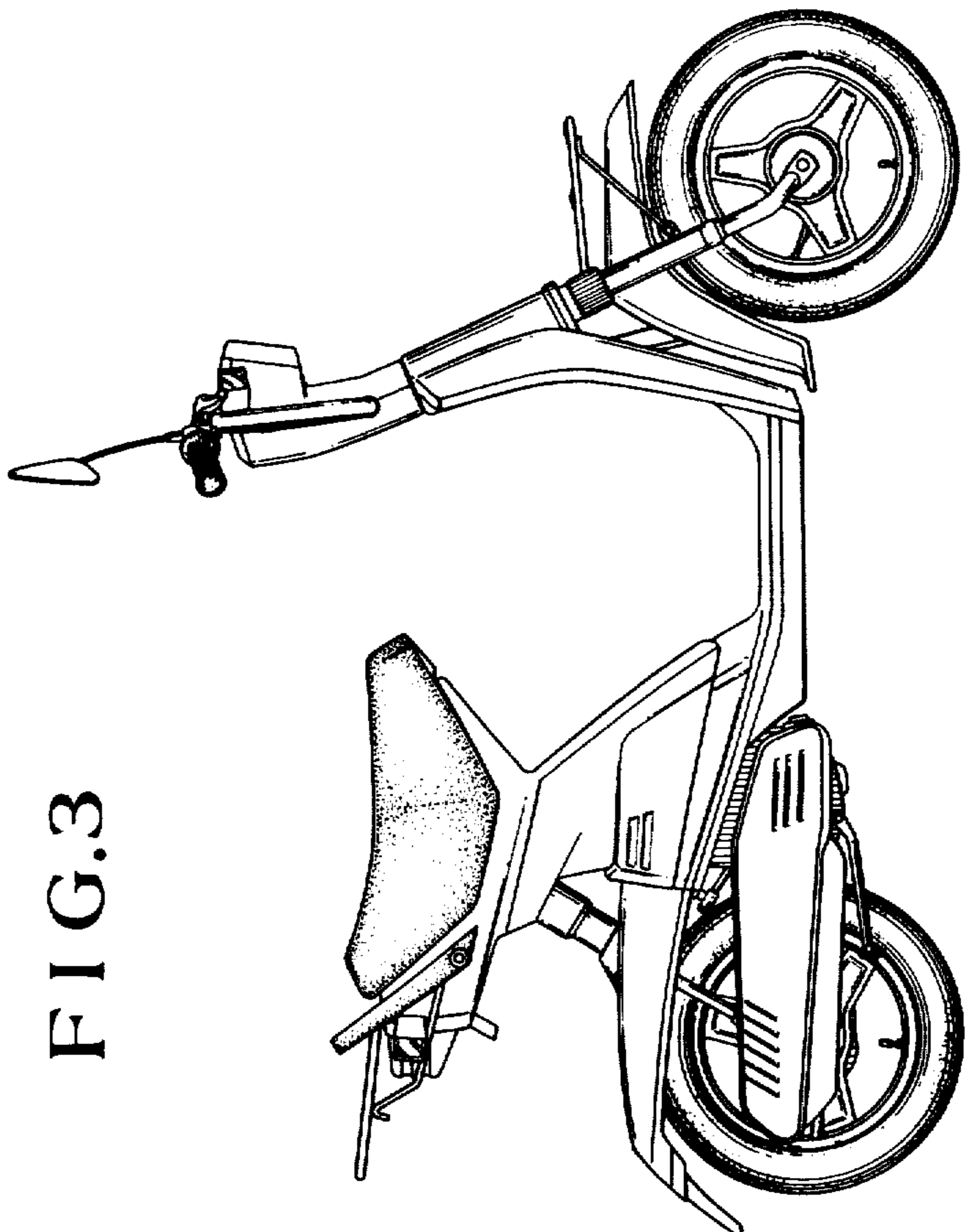


FIG. 3

FIG.5

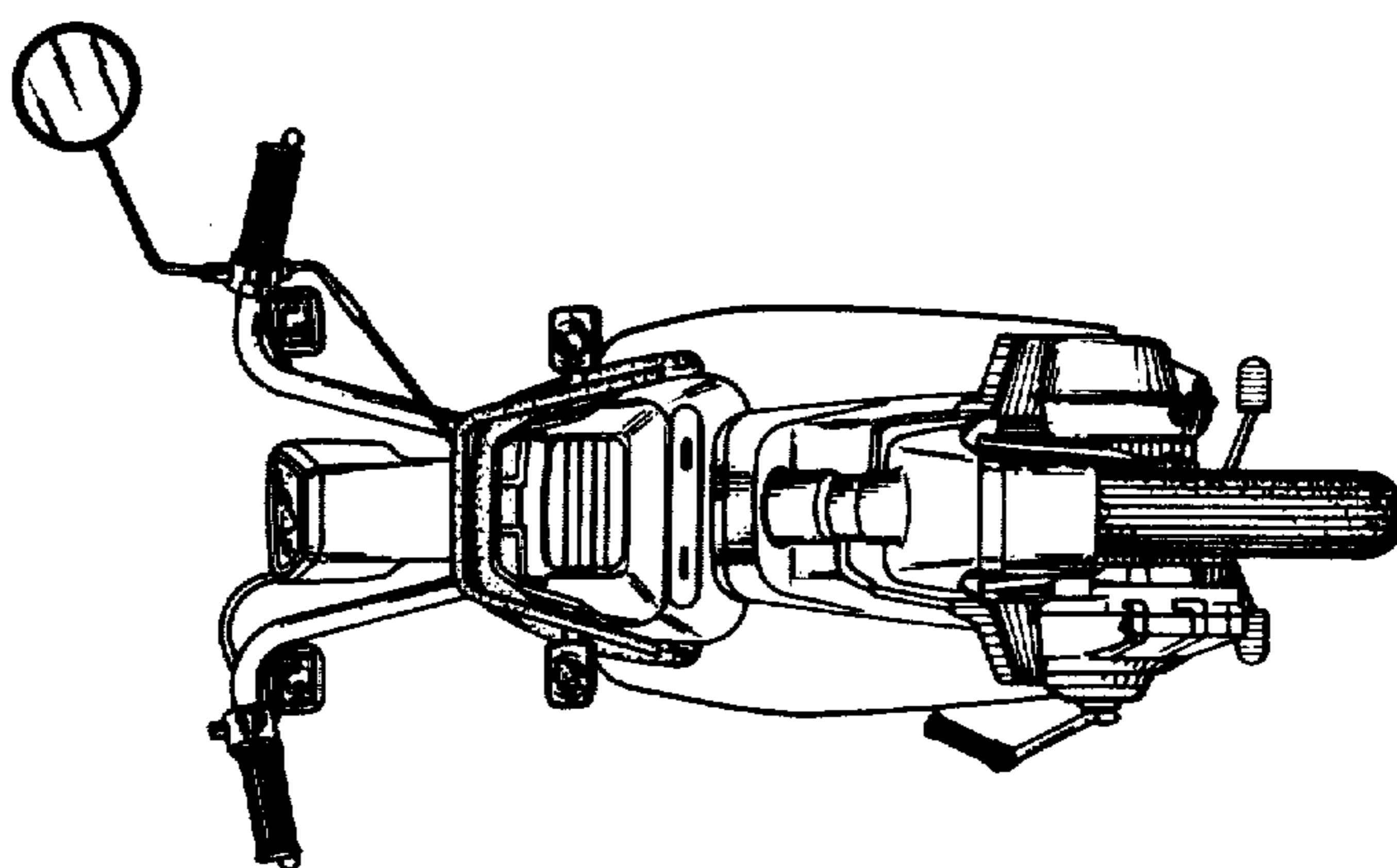


FIG.4

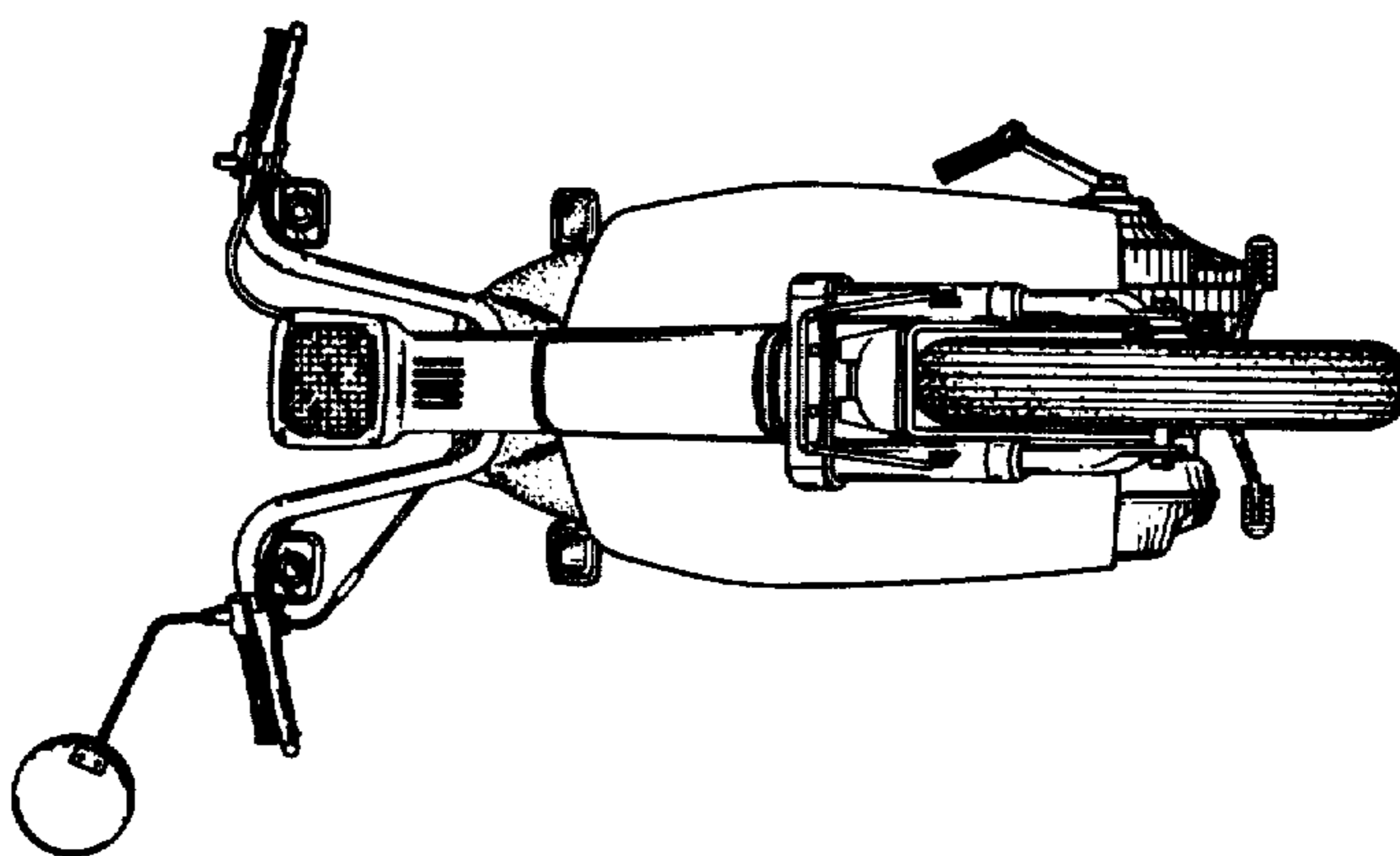


FIG.6

