

[54] BOAT TRAILER

[76] Inventor: Robert S. Wormser, 6880 SW. 19th Ave., Ocala, Fla. 32671

[**] Term: 14 Years

[21] Appl. No.: 180,021

[22] Filed: Aug. 21, 1980

[51] Int. Cl. D12-10

[52] U.S. Cl. D12/97; D12/101

[58] Field of Search D12/97, 101, 105; 280/414 R, 423 B; 414/534

[56] References Cited

U.S. PATENT DOCUMENTS

3,892,423 7/1975 Smith D12/101

OTHER PUBLICATIONS

Boating, 4/73, p. 65, Trailer B, lower right side of page. Implement & Tractor, 1/7/75, p. 23, Trailer No. 1, top left side of page.

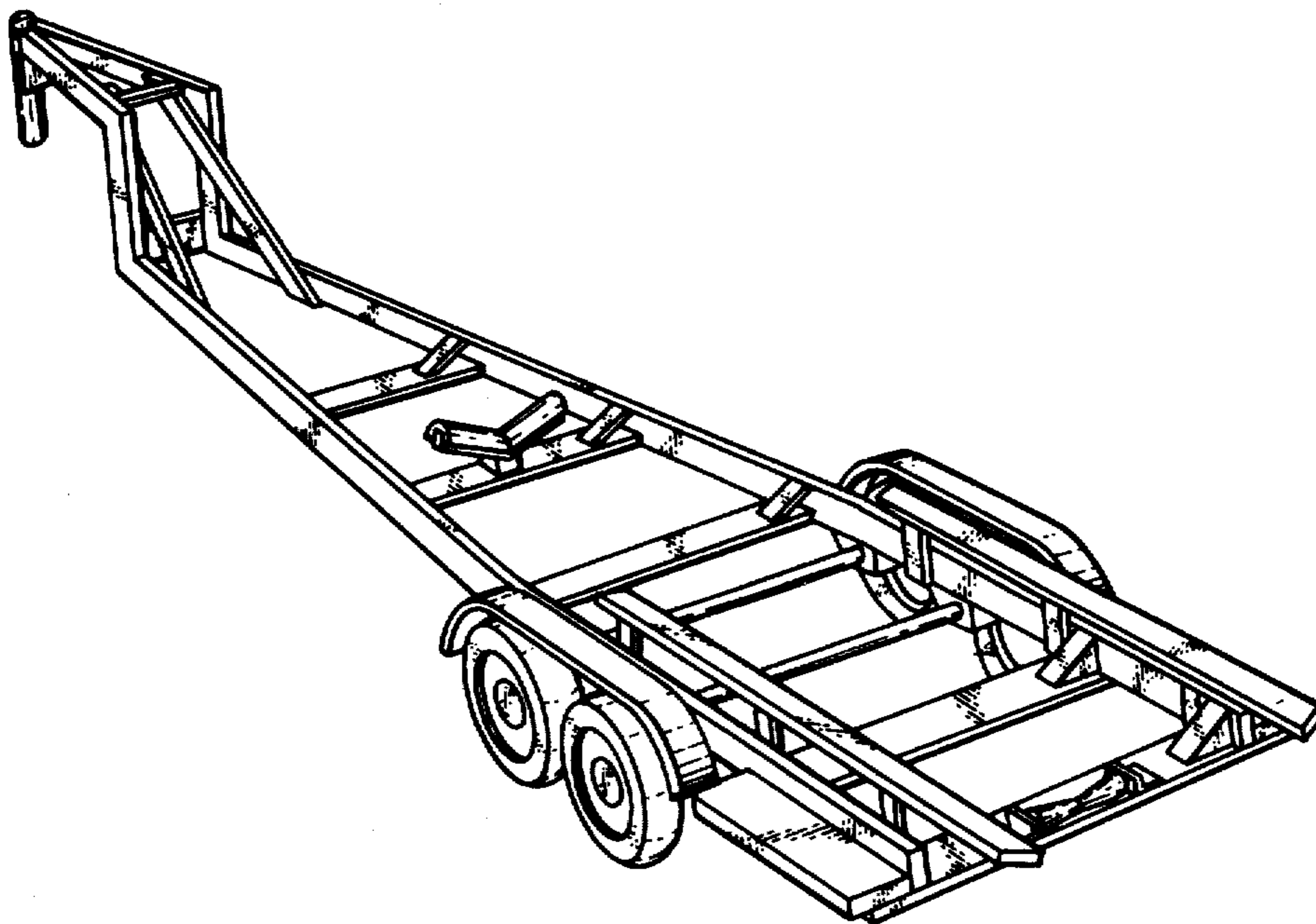
Primary Examiner—James M. Gandy
Attorney, Agent, or Firm—Beaman & Beaman

[57] CLAIM

The ornamental design for a boat trailer, substantially as shown.

DESCRIPTION

FIG. 1 is a left, rear perspective view of a boat trailer showing my new design; FIG. 2 is a right side elevational view thereof; FIG. 3 is a top plan view thereof; FIG. 4 is a front elevational view thereof; and FIG. 5 is a rear elevational view thereof.



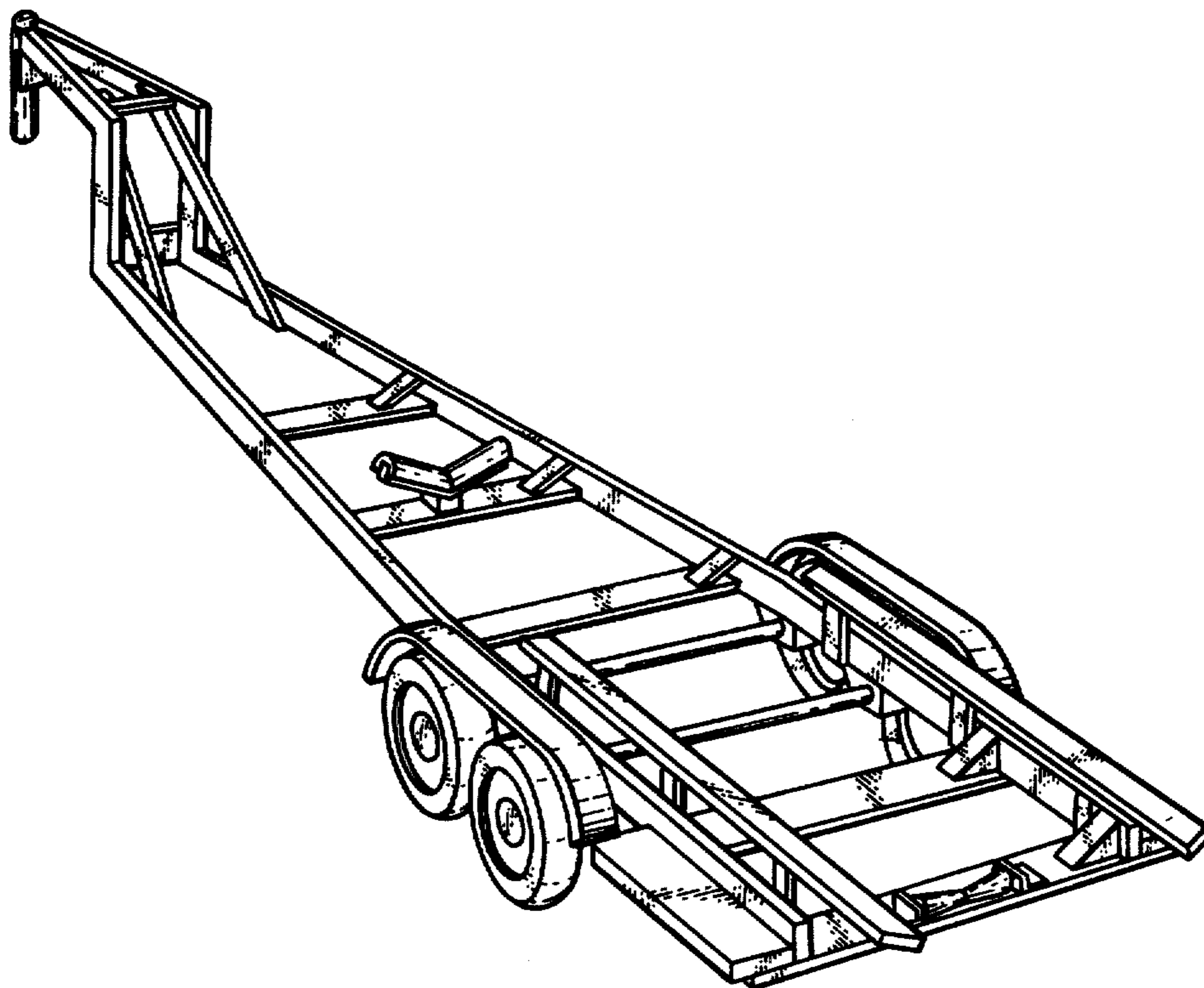


FIG. 1.

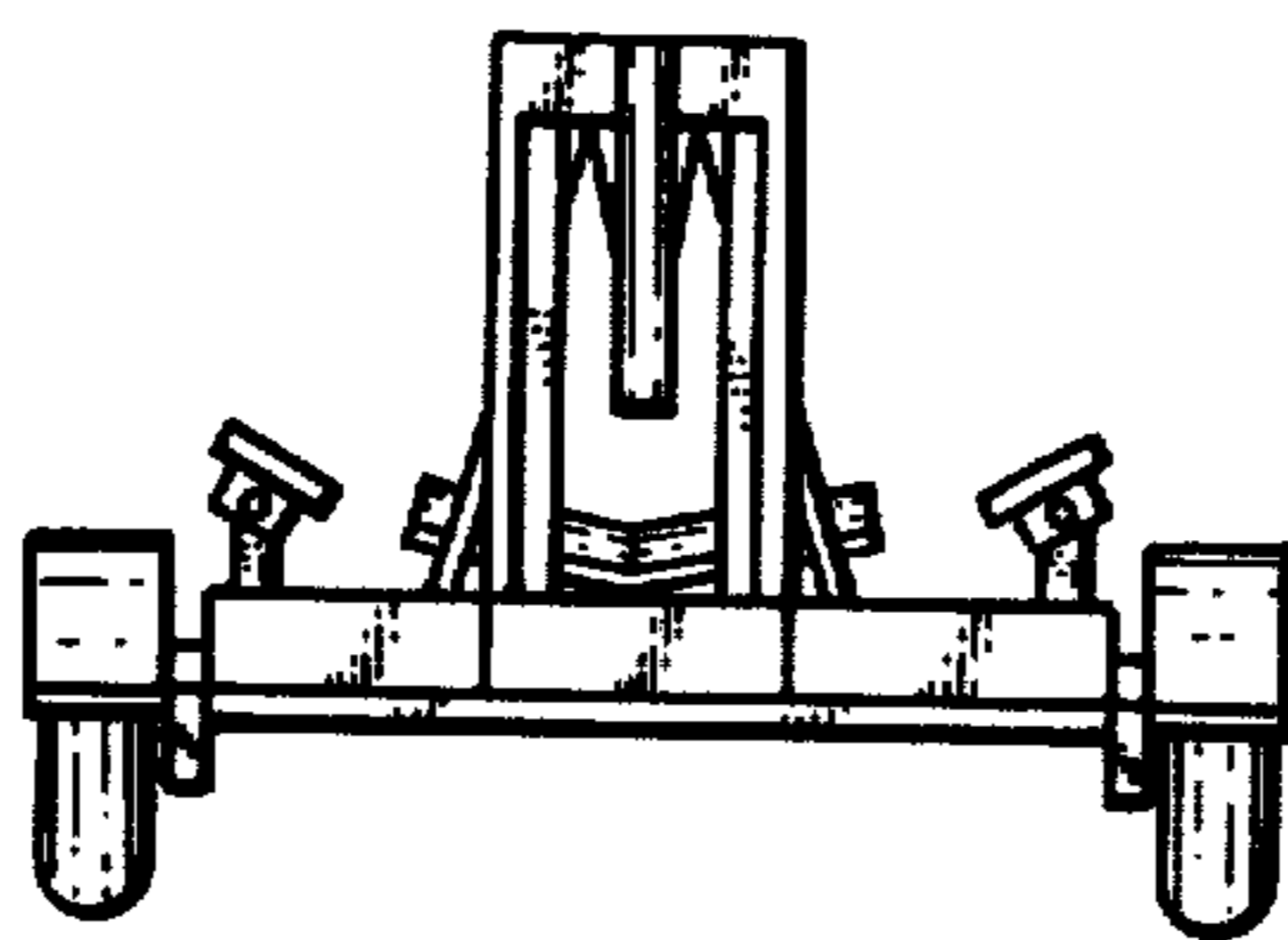


FIG. 4.

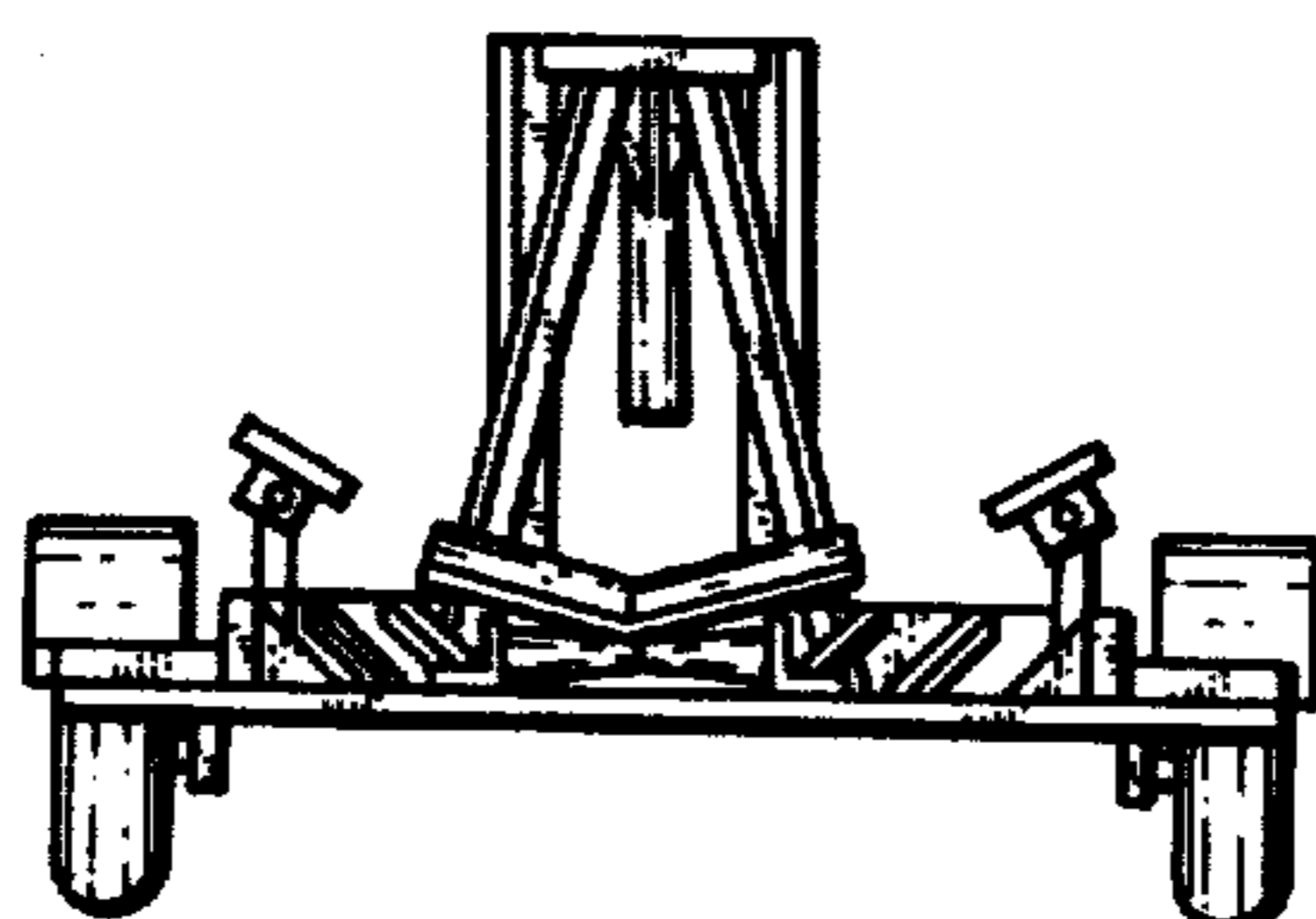


FIG. 5.

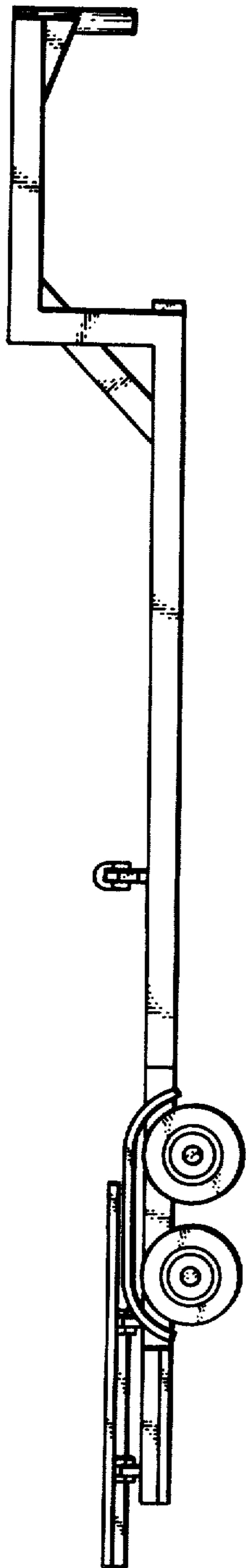


FIG. 2-

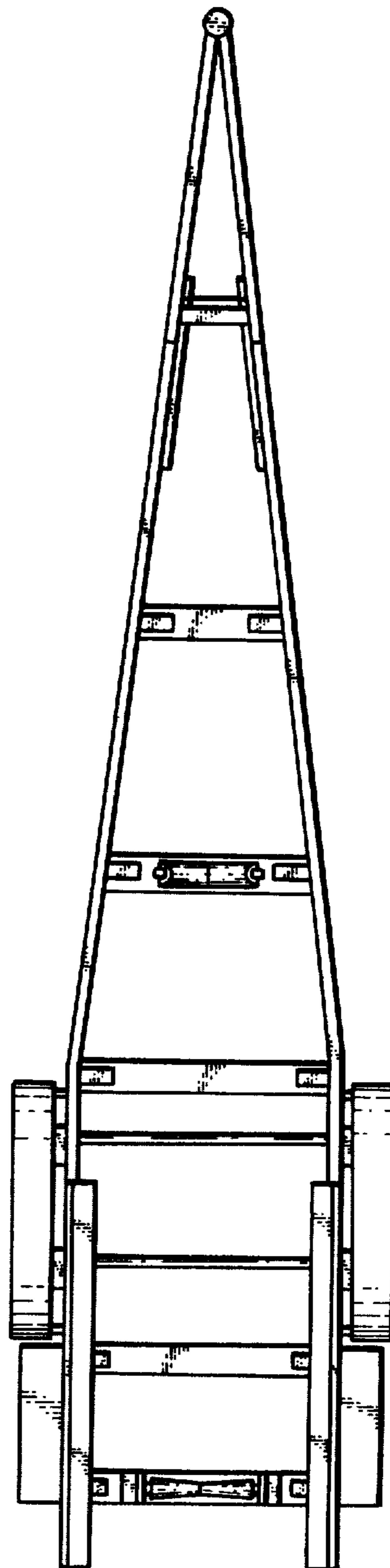


FIG. 3-