

[54] **MULTI-FUNCTION DIGITAL-CIRCUIT  
TESTER OR SIMILAR ARTICLE**

[75] **Inventor:** **Nicholas D. Swinstead, Church  
Crookham, England**

[73] **Assignee:** **The Solartron Electronic Group  
Limited, Farnborough, England**

[\*\*] **Term:** **14 Years**

[21] **Appl. No.:** **217,313**

[22] **Filed:** **Dec. 17, 1980**

[30] **Foreign Application Priority Data**

Jun. 18, 1980 [GB] United Kingdom ..... 80995365

[51] **Int. Cl.** ..... **D10-04**

[52] **U.S. Cl.** ..... **D10/75; D10/91**

[58] **Field of Search** ..... **D10/46, 75, 78, 91,  
D10/81; D18/6, 10; 324/156, 73 R, 73 AT**

[56] **References Cited**

**U.S. PATENT DOCUMENTS**

D. 223,009 2/1972 Garfinkle ..... D10/91  
D. 260,376 8/1981 Lawing ..... D10/91  
D. 262,994 2/1982 Holler ..... D10/75 X

**OTHER PUBLICATIONS**

*Industrial Equipment News*-1/78-p. S-3-Scale at bot-  
tom.

*Primary Examiner*-Nelson C. Holtje  
*Attorney, Agent, or Firm*-Dale Gaudier

[57] **CLAIM**

The ornamental design for a multi-function digital-cir-  
cuit tester or similar article, as shown.

**DESCRIPTION**

FIG. 1 is a front and top right perspective view of a  
multi-function digital-circuit tester or similar article,  
showing my new design;

FIG. 2 is a right side elevational view thereof;

FIG. 3 is a left side elevational view thereof;

FIG. 4 is a rear and bottom left perspective view  
thereof;

FIG. 5 is a rear elevational view thereof.

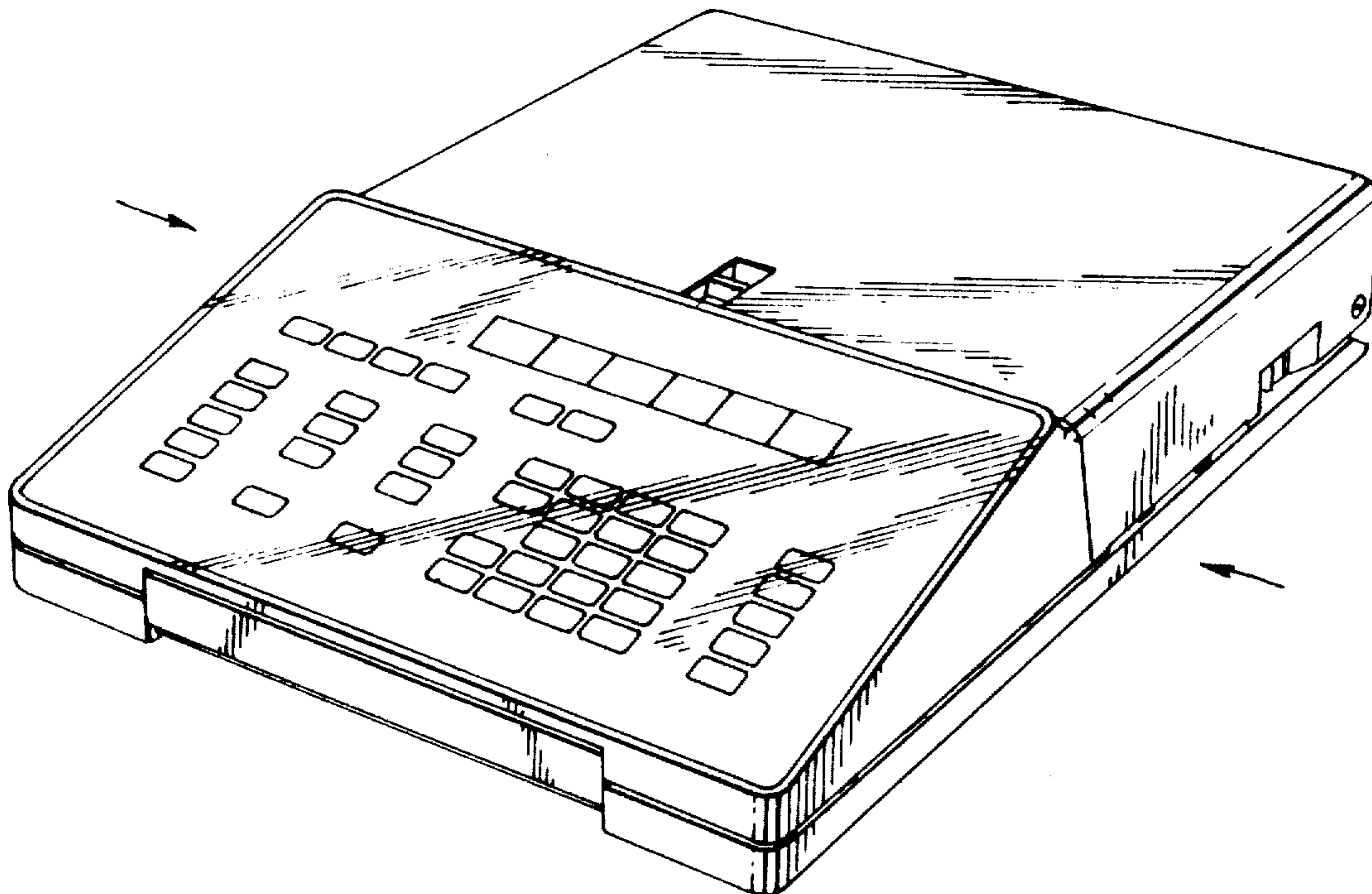


FIG. 1

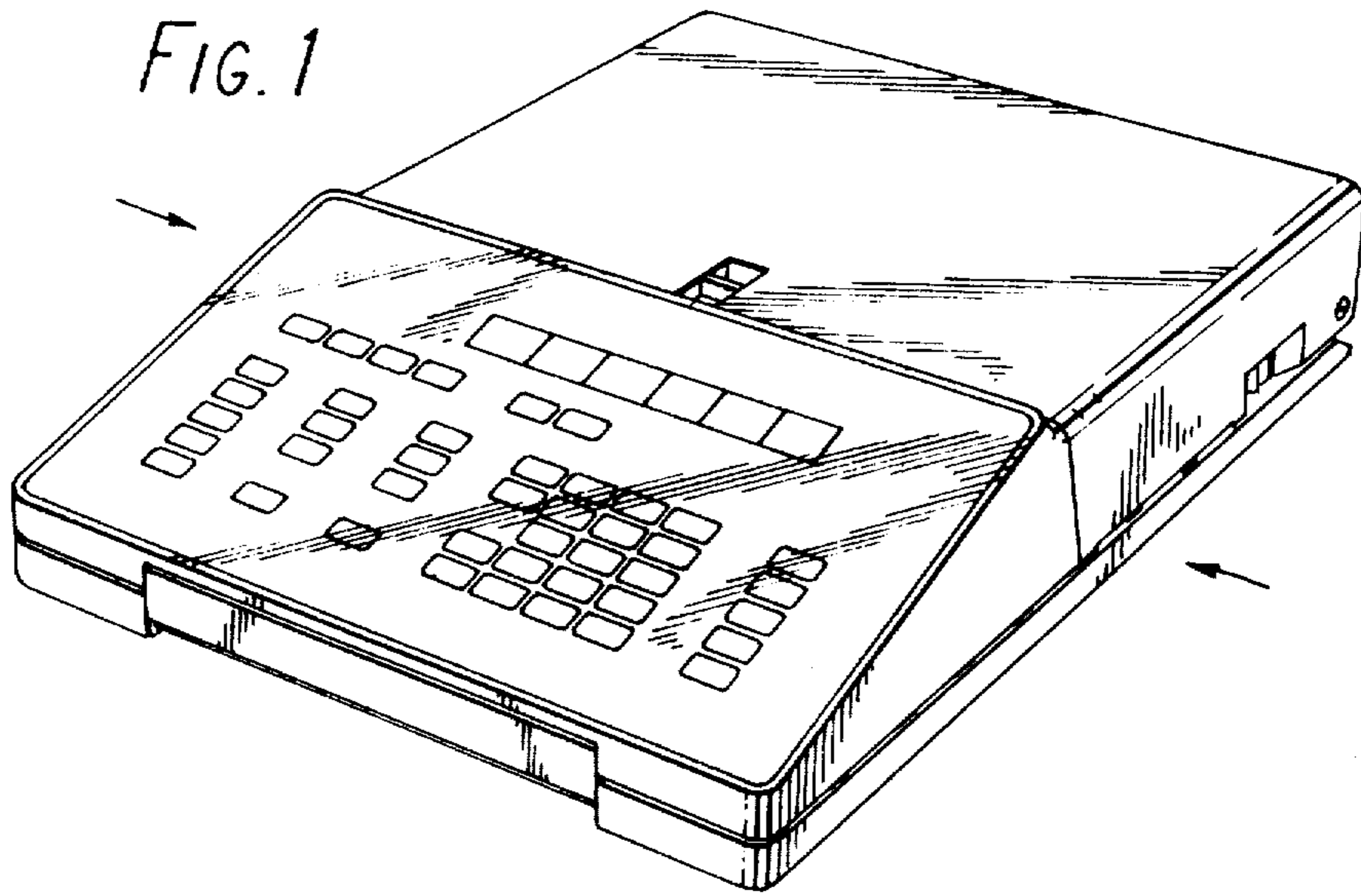


FIG. 2

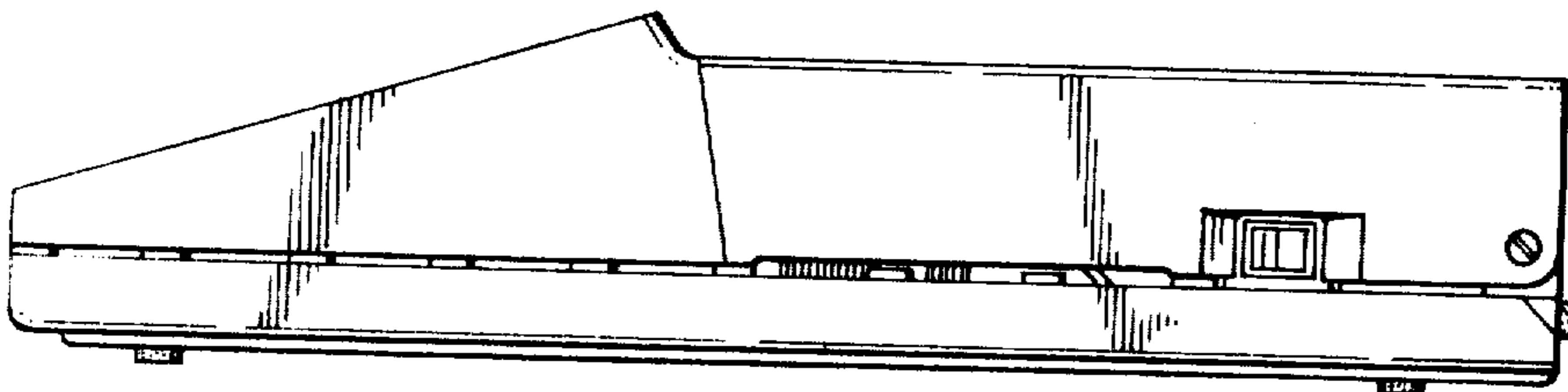
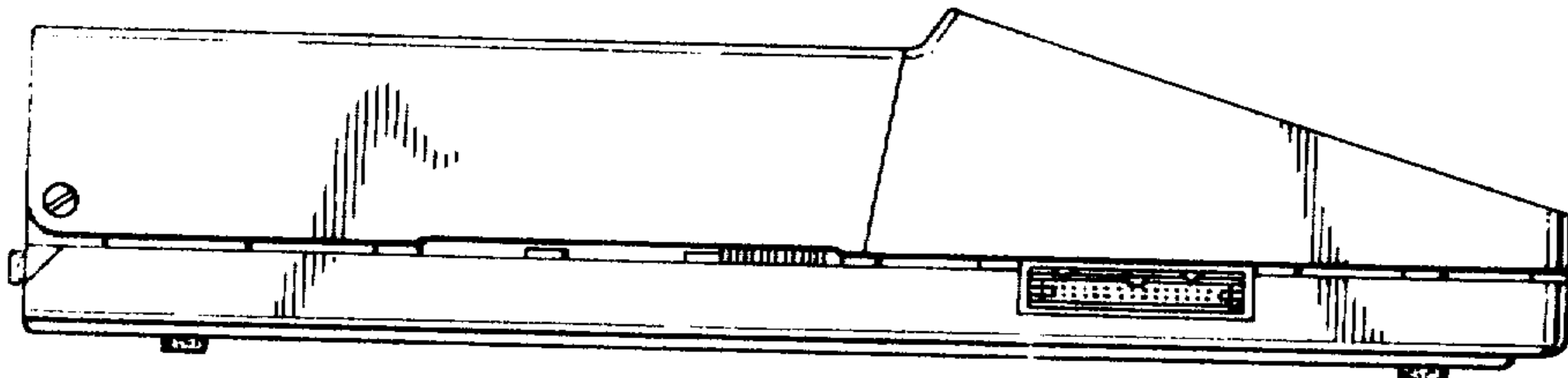


FIG. 3



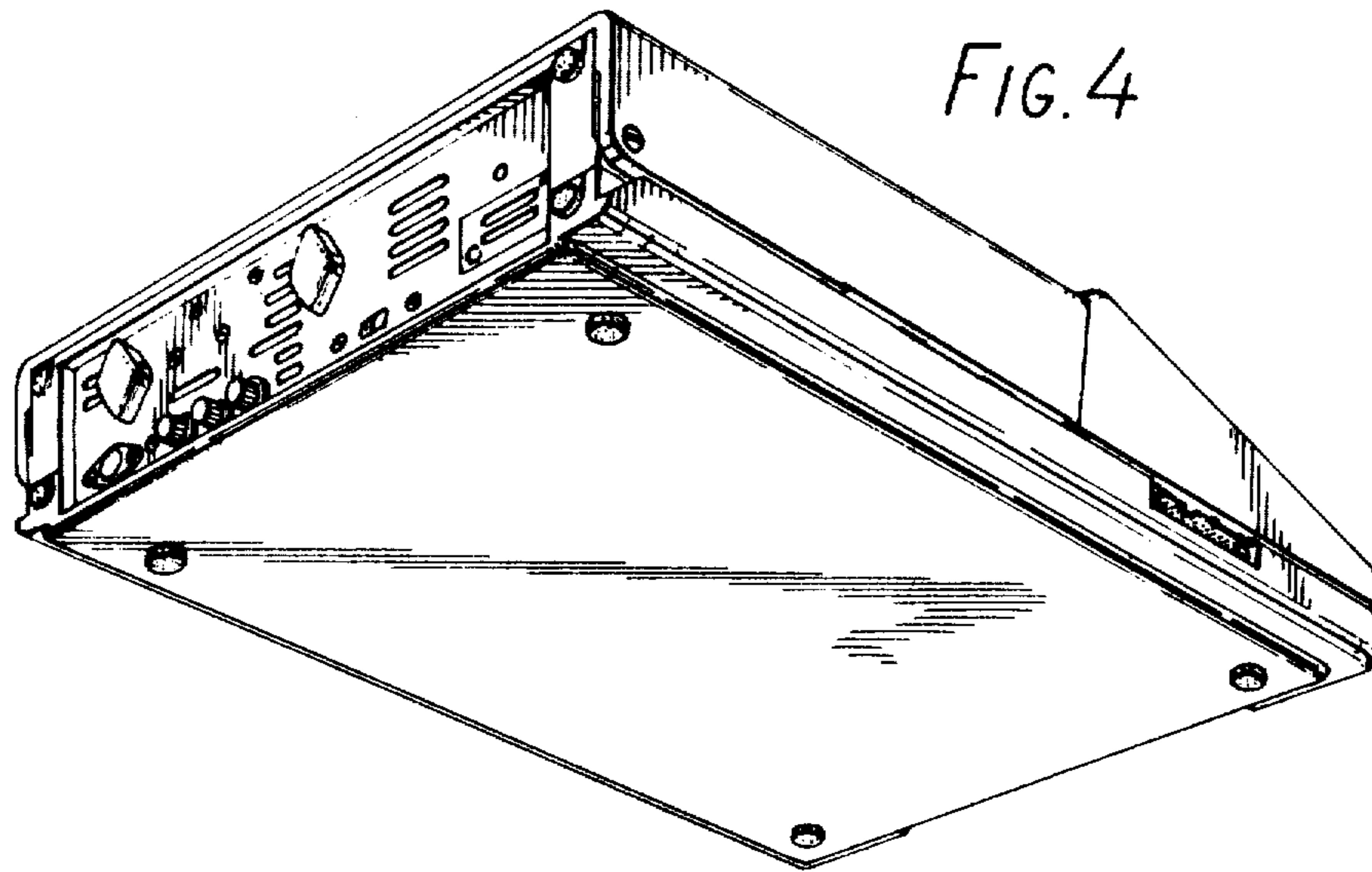


FIG. 5

