

[54] MULTIPLE SCALE RULE

[76] Inventors: Douglas D. Seely, Jr., 54743 Merrifield Dr., Mishawaka, Ind. 46544; Douglas D. Seely, III, 234 Murray, South Bend, Ind. 46637

[**] Term: 14 Years

[21] Appl. No.: 205,415

[22] Filed: Nov. 10, 1980

[51] Int. Cl. D10-04

[52] U.S. Cl. D10/71

[58] Field of Search D10/70, 71, 72, 74; 33/491, 483

[56] References Cited

U.S. PATENT DOCUMENTS

- 181,236 8/1876 Wyckoff .
- D. 201,300 6/1965 Seely D10/71
- D. 202,290 9/1965 Seely D10/71
- D. 246,441 11/1977 Bergendorff D10/71
- D. 261,612 11/1981 Henkels D10/71 X
- 1,219,836 3/1917 Miller .

- 1,334,145 3/1920 Eaton D10/71 X
- 3,131,478 5/1964 Snurr 33/483
- 3,321,836 5/1966 Seely, Jr. .
- 3,507,045 4/1970 Rives 33/491

FOREIGN PATENT DOCUMENTS

- 547707 10/1956 Belgium .
- 1154094 4/1958 France 33/492
- 430934 6/1935 United Kingdom 33/491

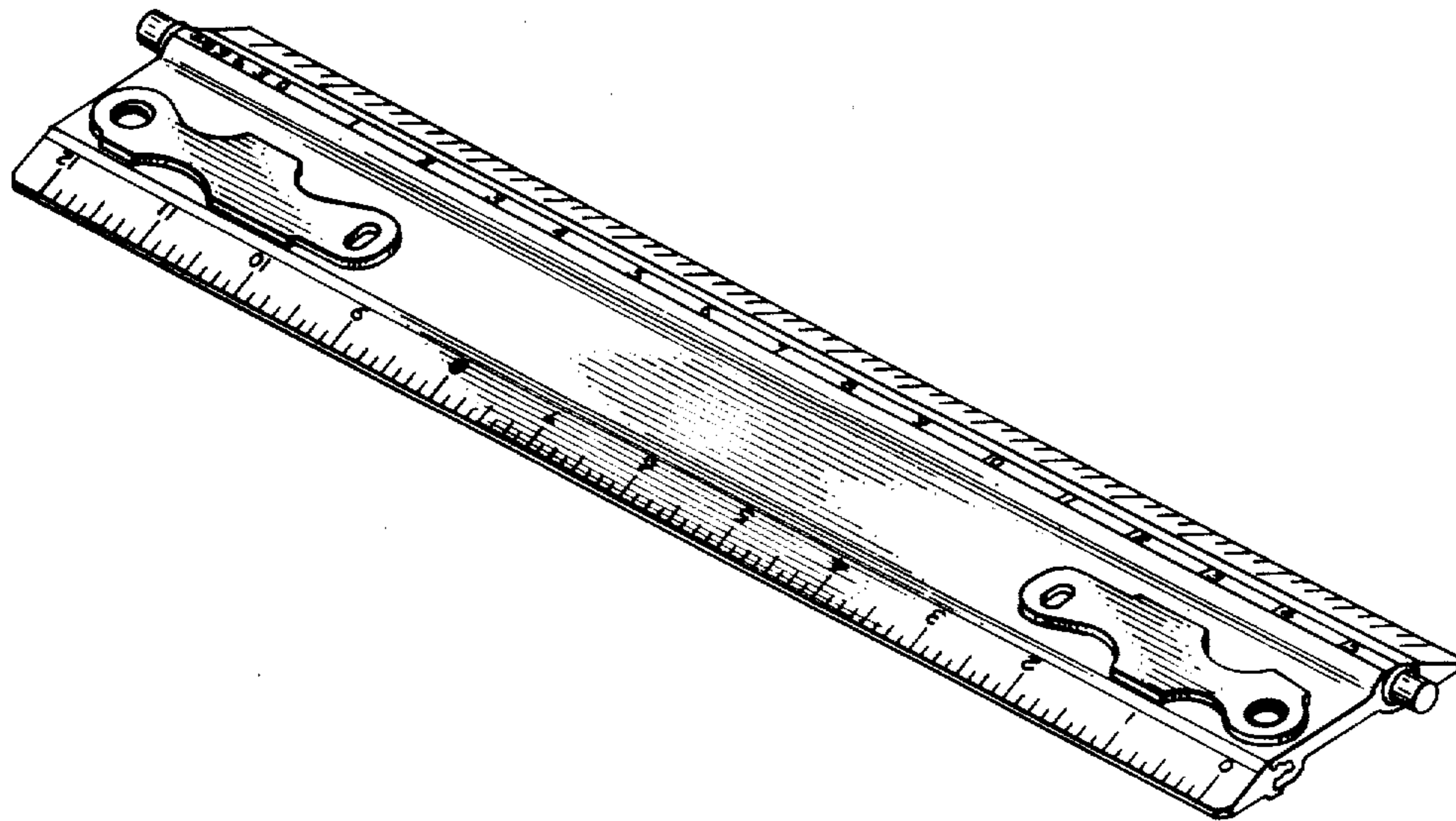
Primary Examiner—Nelson C. Holtje
Attorney, Agent, or Firm—Marmaduke A. Hobbs

[57] CLAIM

The ornamental design for a multiple scale rule, substantially as shown.

DESCRIPTION

FIG. 1 is a top and right-front perspective view of a multiple scale ruler showing our new design; FIG. 2 is a left end elevational view thereof; FIG. 3 is a fragmentary top plan view thereof; FIG. 4 is a rear elevational view thereof; FIG. 5 is a bottom plan view thereof; FIG. 6 is a cross-sectional view thereof as taken from line 6-6 of FIG. 4.



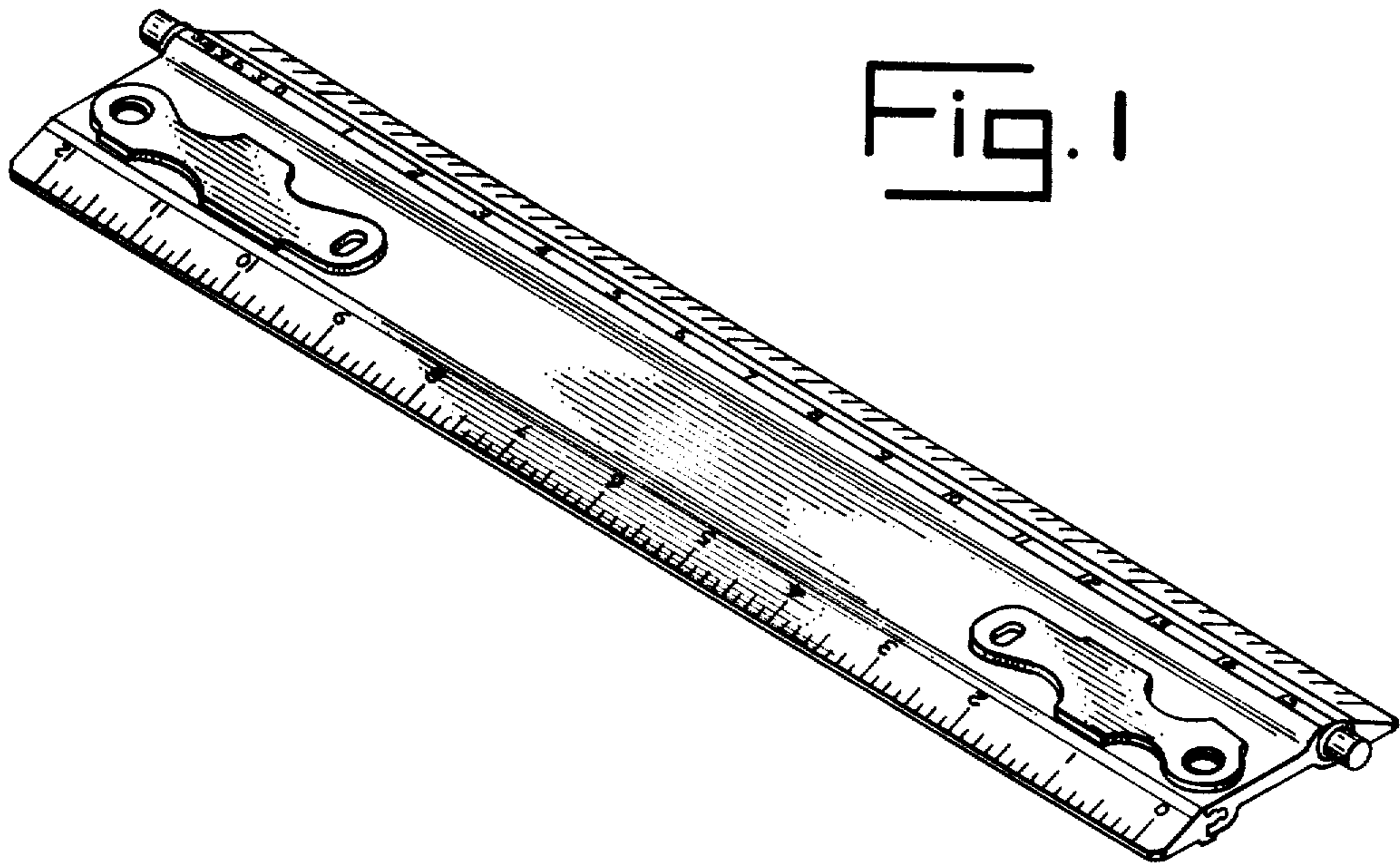


Fig. 1

Fig. 2



Fig. 3

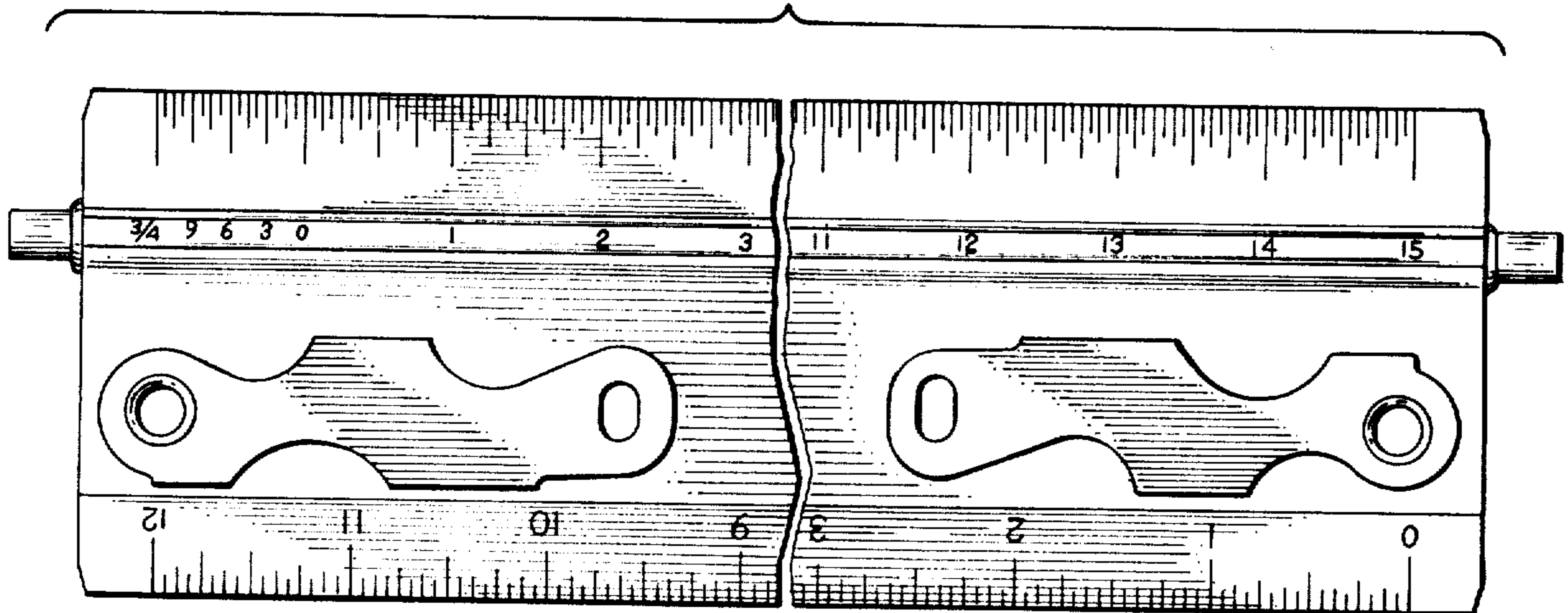


Fig. 4

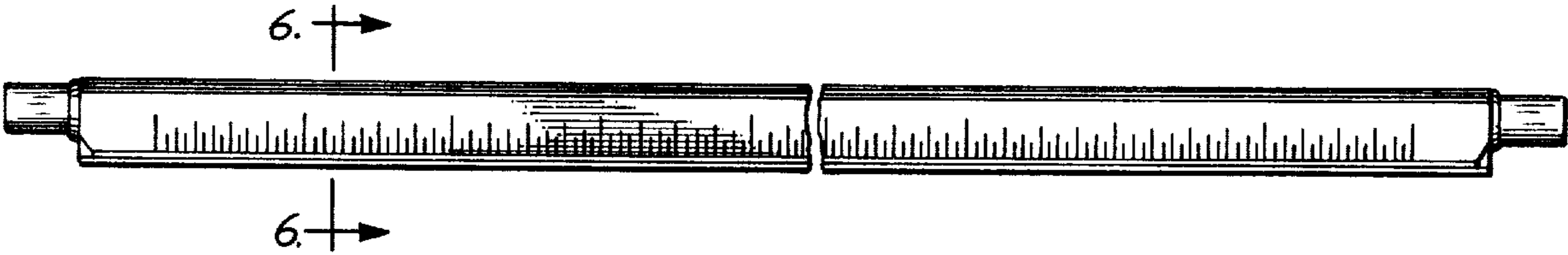


Fig. 5

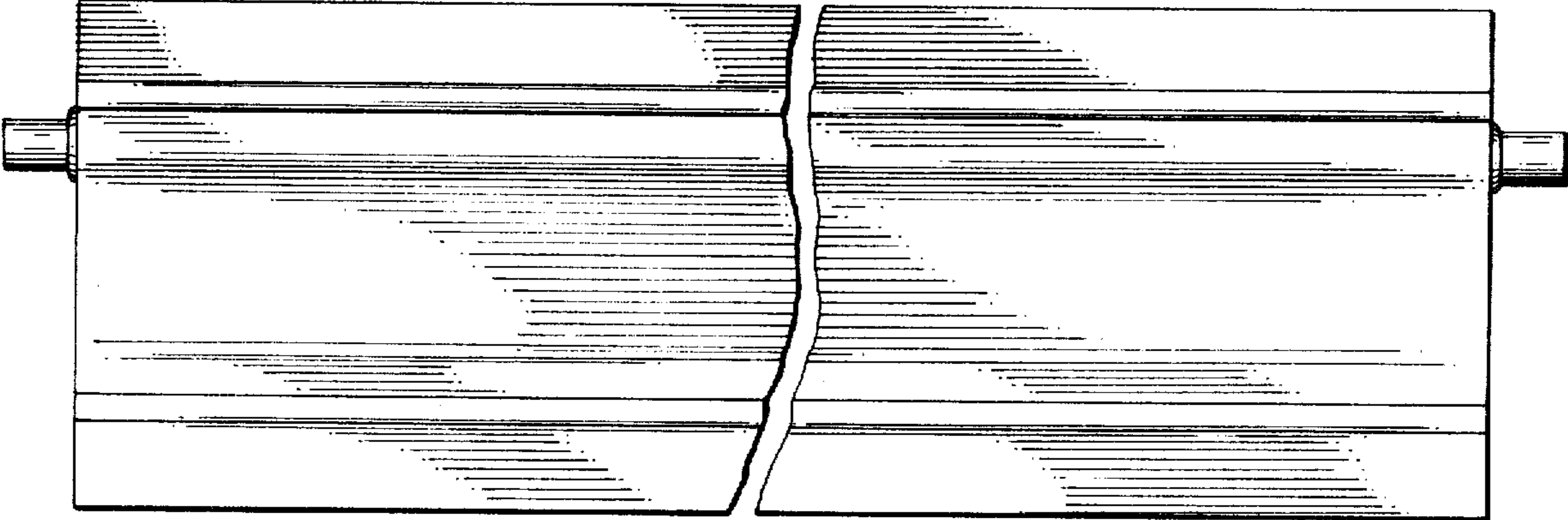


Fig. 6

