

[54] VARIABLE GRADE LEVEL

899,269 9/1908 Staley 33/376
922,960 5/1909 Schatz 33/376 X

[76] Inventor: Daniel Z. Seyler, R.D. 1, Box 242C,
Phillipsburg, N.J. 08865

Primary Examiner—Nelson C. Holtje
Attorney, Agent, or Firm—Frederick A. Zoda; John J.
Kane; Albert Sperry

[**] Term: 14 Years

[21] Appl. No.: 219,776

[57] CLAIM

[22] Filed: Dec. 23, 1980

The ornamental design for a variable grade level, as
shown and described.

[51] Int. Cl. D10-04

[52] U.S. Cl. D10/65; D10/69

[58] Field of Search D10/65, 61, 62, 69;
33/403, 457, 343, 365, 376

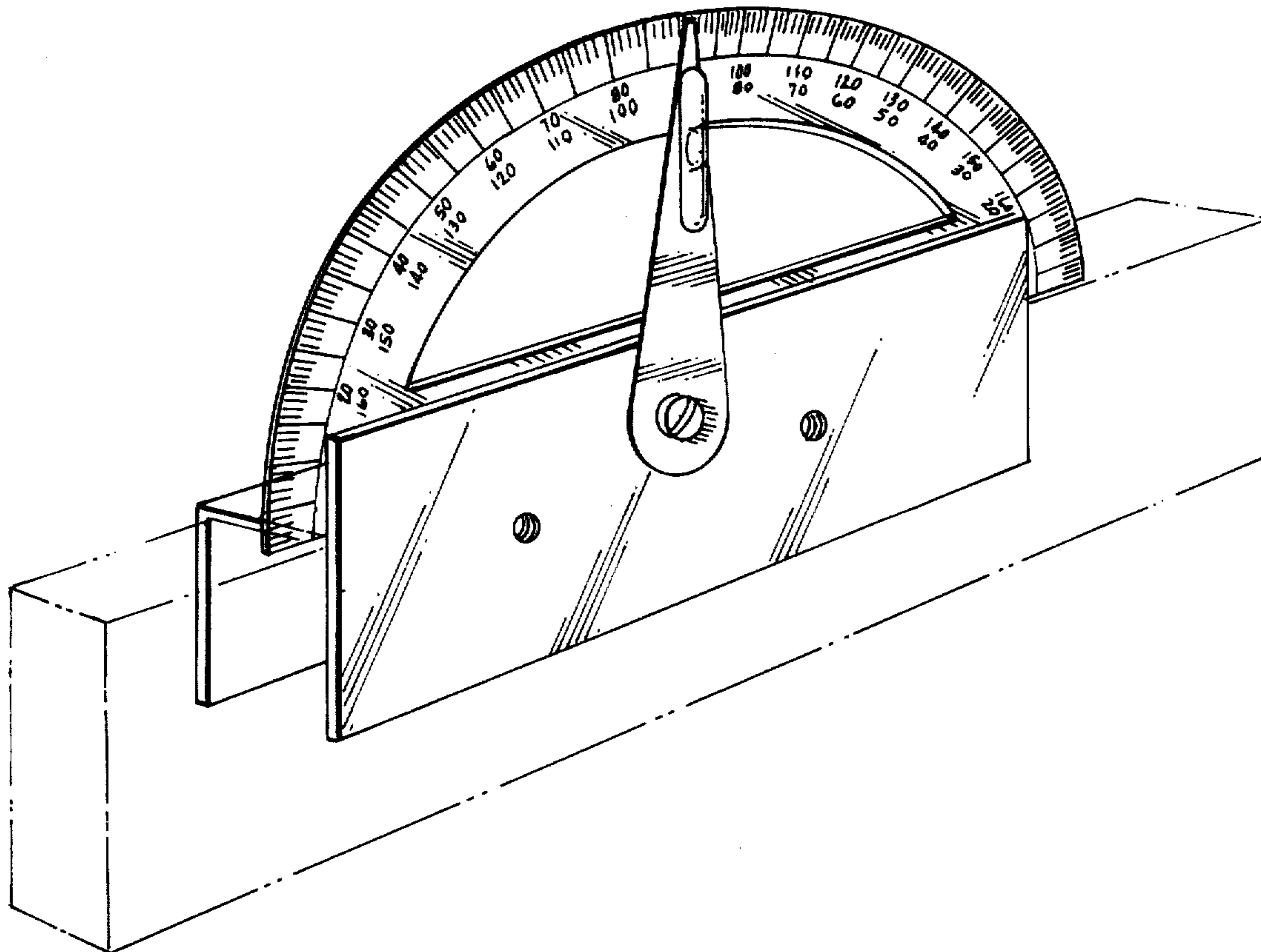
DESCRIPTION

[56] References Cited

U.S. PATENT DOCUMENTS

- D. 132,550 5/1942 Scifres D10/65
- D. 171,317 1/1954 Von Duyke D10/69
- 346,519 8/1886 Tybjerg D10/62 X
- 886,333 4/1908 Southward 33/376

FIG. 1 is a left, front perspective view of a variable
grade level showing my new design;
FIG. 2 is a front elevational view thereof;
FIG. 3 is a rear elevational view thereof;
FIG. 4 is a left side elevational view thereof, the right
side being a mirror image thereto.
The broken lines shown in FIG. 1 are not a part of the
design sought to be patented and are included merely to
show environmental structure.



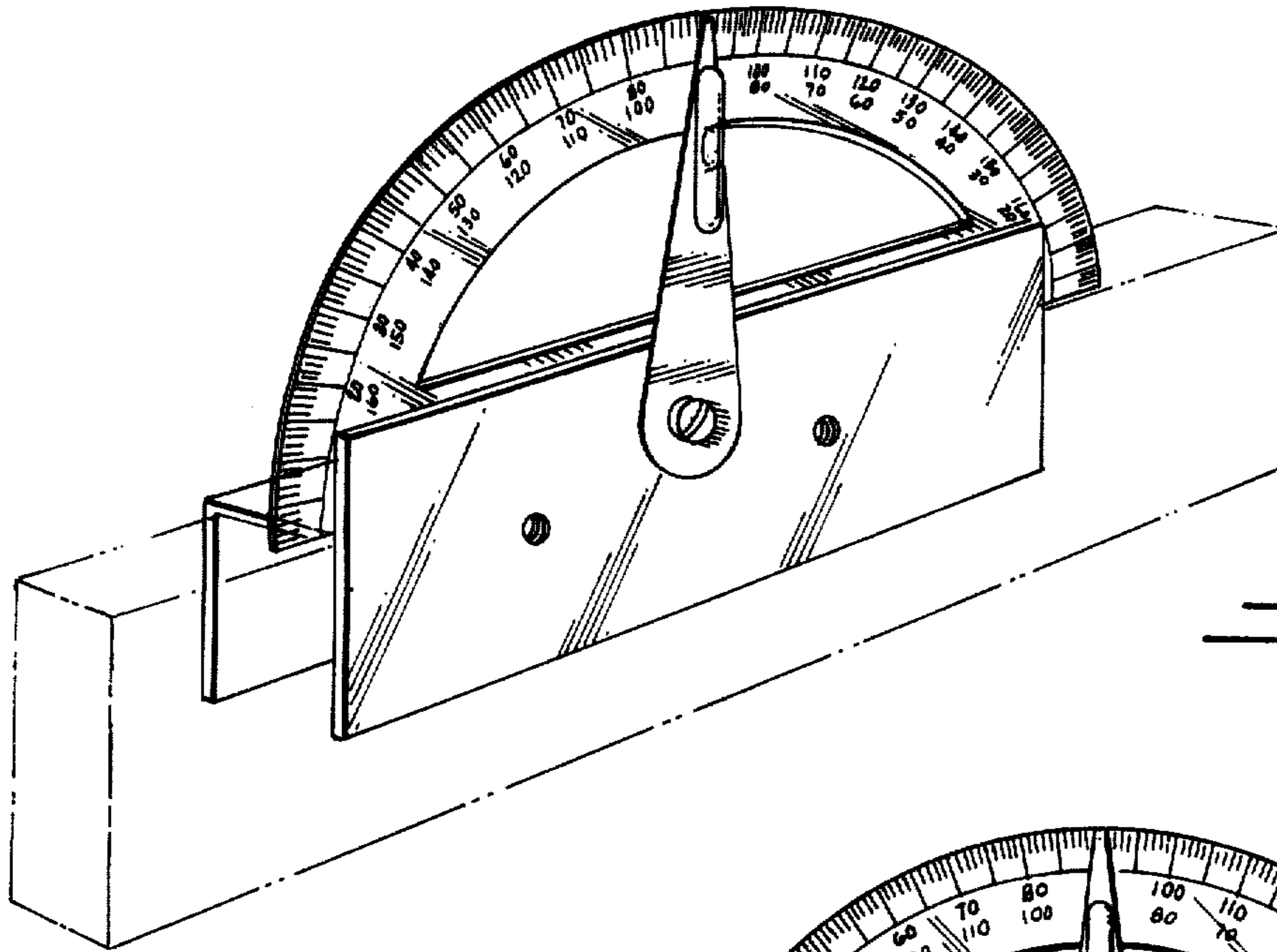


Fig. 1.

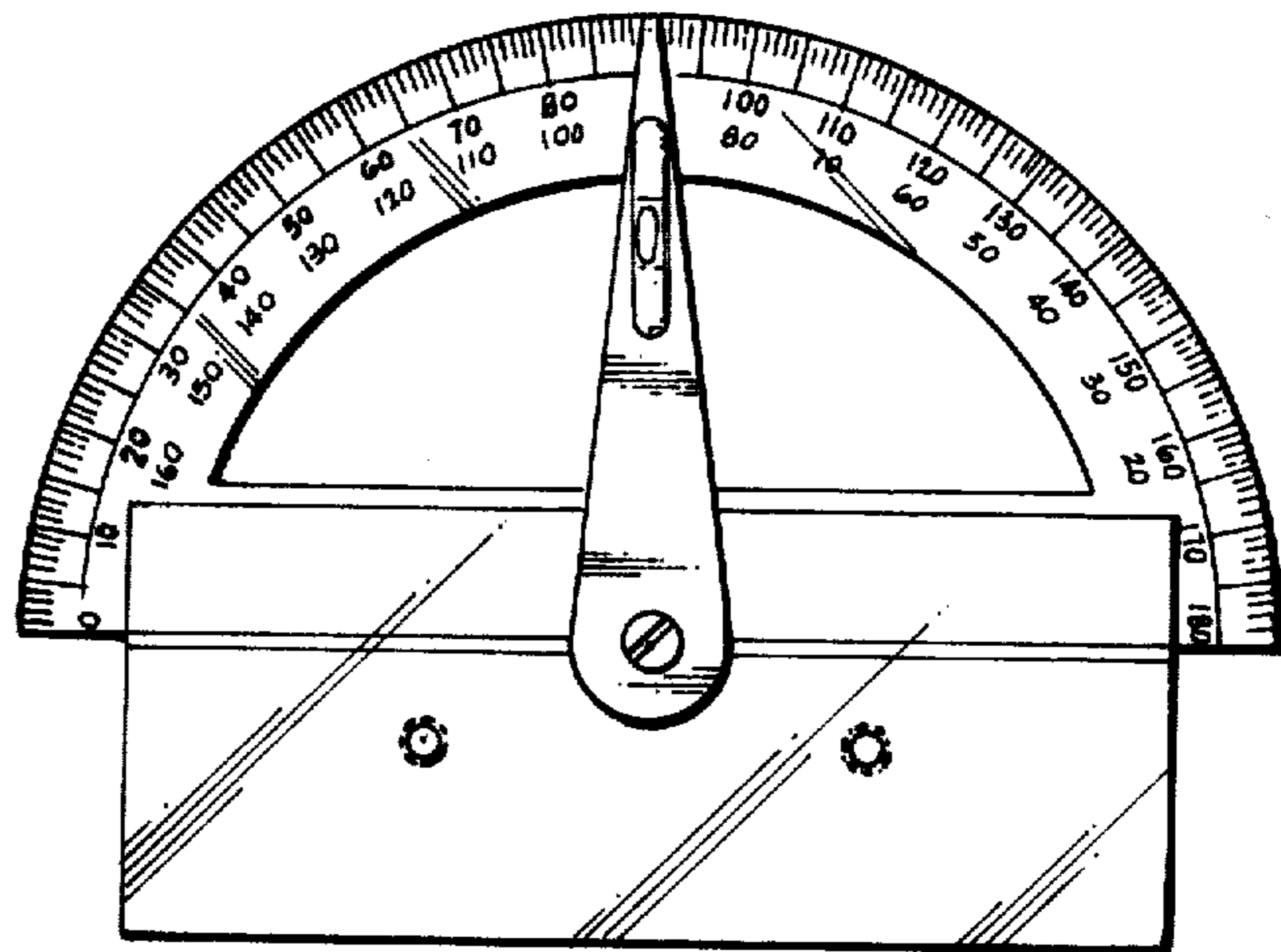


Fig. 2.

Fig. 3.

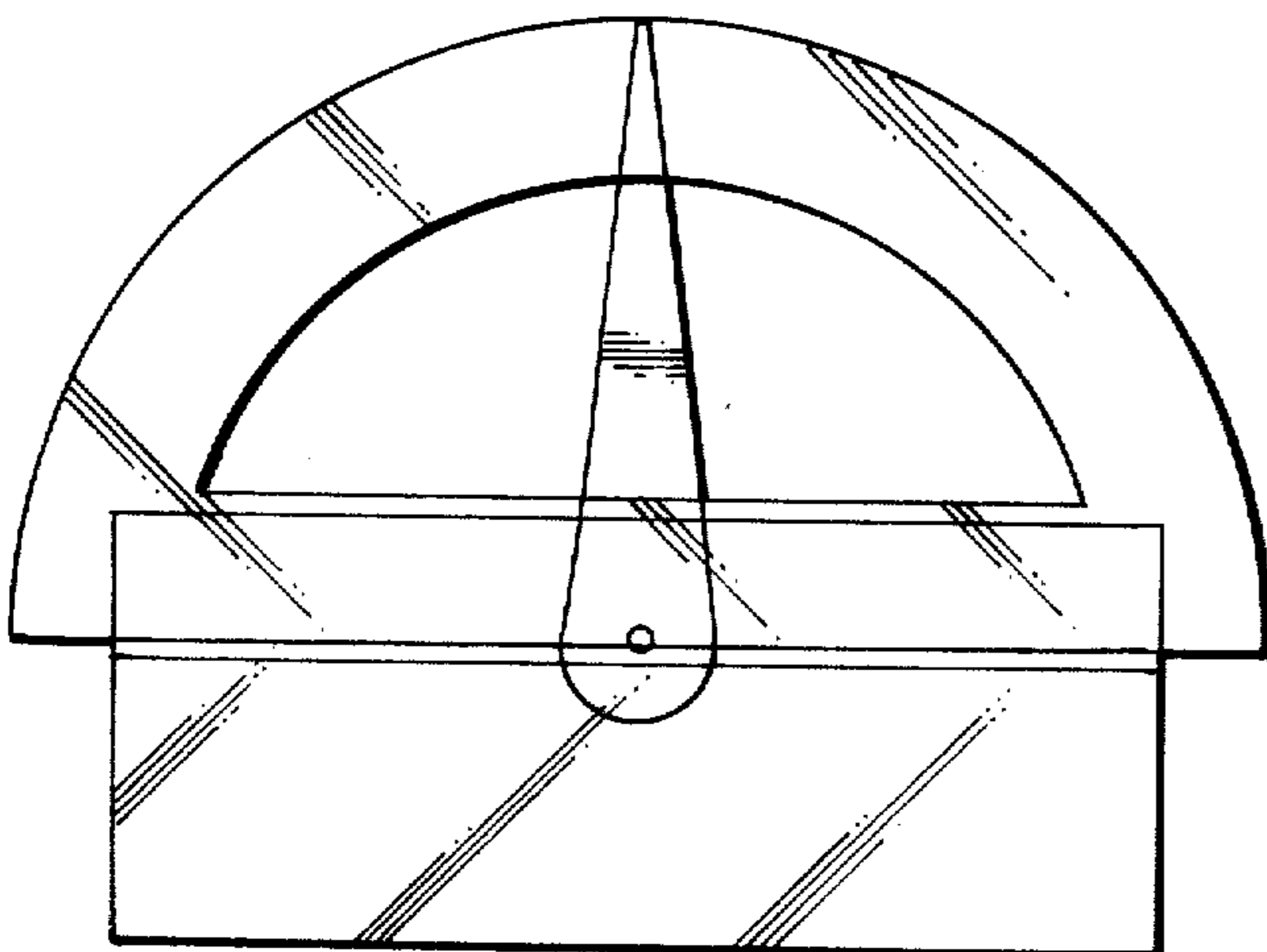


Fig. 4.

