

- [54] COMBINATION SET PROTRACTOR
- [75] Inventors: Norman L. Smyth; Roy G. Hodgson,  
both of Sheffield, England
- [73] Assignee: Moore & Wright (Sheffield) Ltd.,  
Sheffield, England
- [\*\*] Term: 14 Years
- [21] Appl. No.: 215,267
- [22] Filed: Dec. 11, 1980
- [51] Int. Cl. .... D10-04
- [52] U.S. Cl. .... D10/62; D10/65
- [58] Field of Search ..... D10/61, 62, 69, 65;  
33/418-419, 422, 424-426, 451, 464

2,400,014 5/1946 Luzi ..... 33/419  
 4,301,600 11/1981 Charnley ..... 33/464

OTHER PUBLICATIONS

*Ash Precision Cat. #15-©1966-p. 107-T-Universal Bevel Protractor.*  
*Starrett Cat. #27-1970-p. 158-Combination Tool.*  
 Primary Examiner—Nelson C. Holtje  
 Attorney, Agent, or Firm—Cesari and McKenna

[57] CLAIM

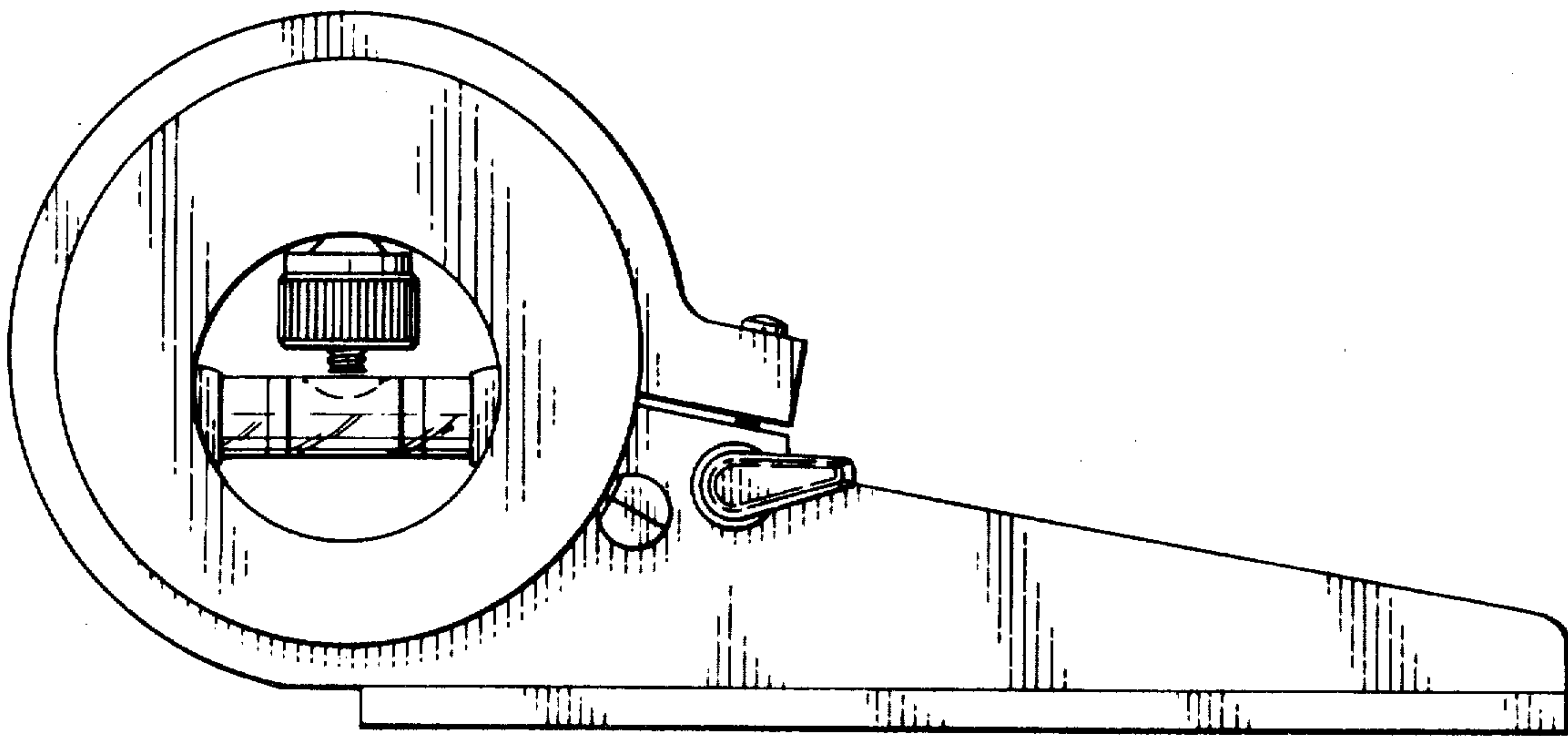
The ornamental design for a combination set protractor, substantially as shown.

DESCRIPTION

FIG. 1 is front elevational view of a combination set protractor showing our new design;  
 FIG. 2 is a rear elevational view thereof;  
 FIG. 3 is a top plan view thereof;  
 FIG. 4 is a bottom plan view thereof;  
 FIG. 5 is a left side elevational view thereof;  
 FIG. 6 is a right side elevational view thereof;  
 FIG. 7 is a front elevational view thereof showing the protractor in an alternative position.

[56] References Cited  
 U.S. PATENT DOCUMENTS

D. 182,773	5/1958	Souter	.....	D10/62
D. 220,648	5/1971	Provi	.....	D10/65
D. 224,625	8/1972	Carter	.....	D10/62
1,523,265	1/1925	Hobbs	.....	33/418
2,113,524	4/1938	Wolfe	.....	33/419 X
2,308,373	1/1943	Keegan	.....	33/419



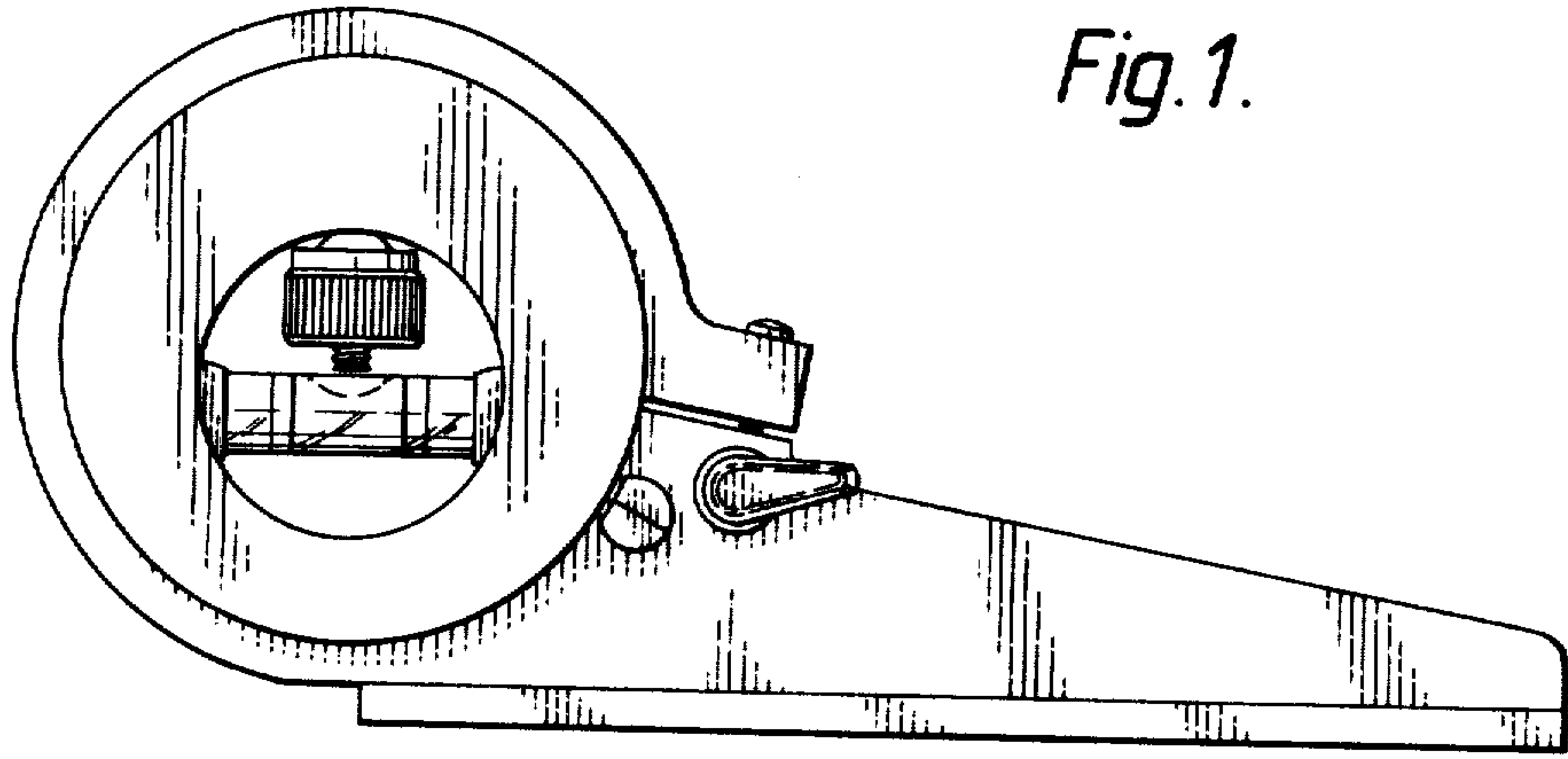
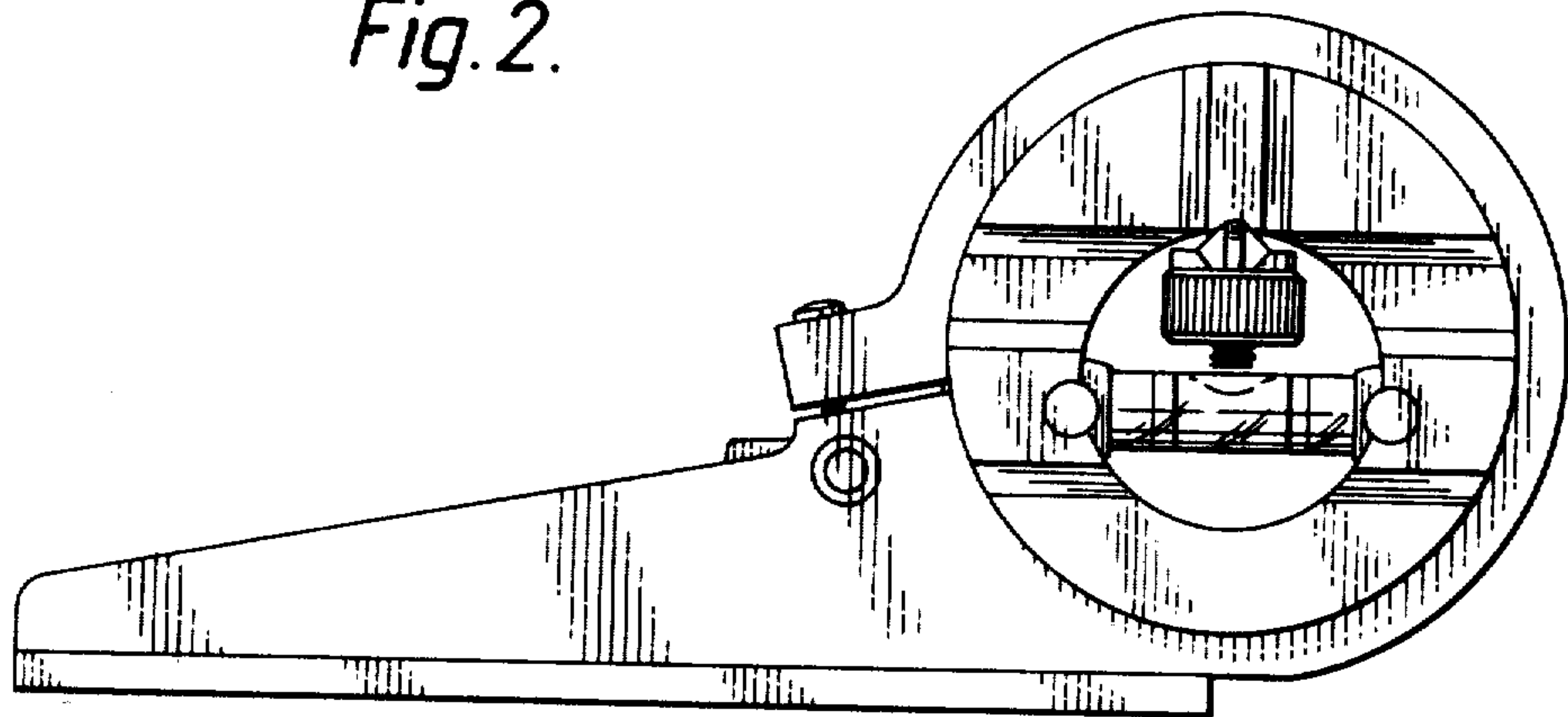
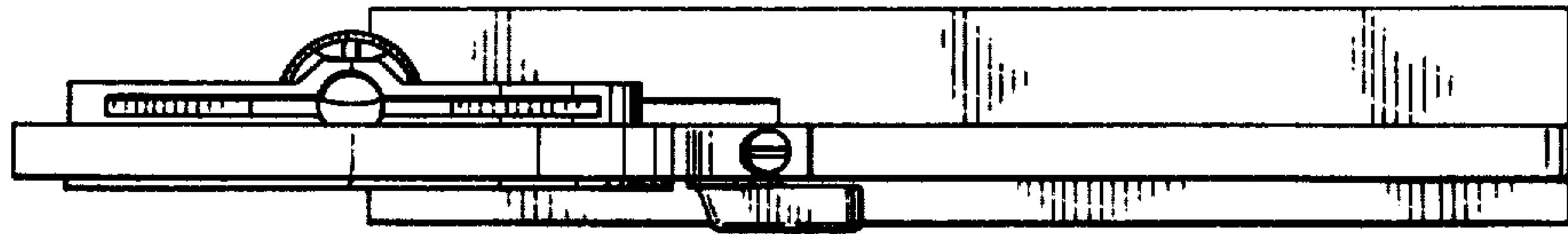


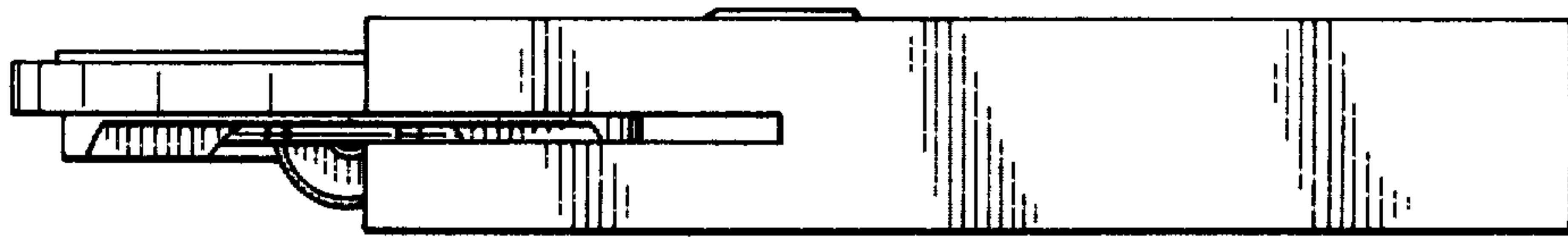
Fig. 2.



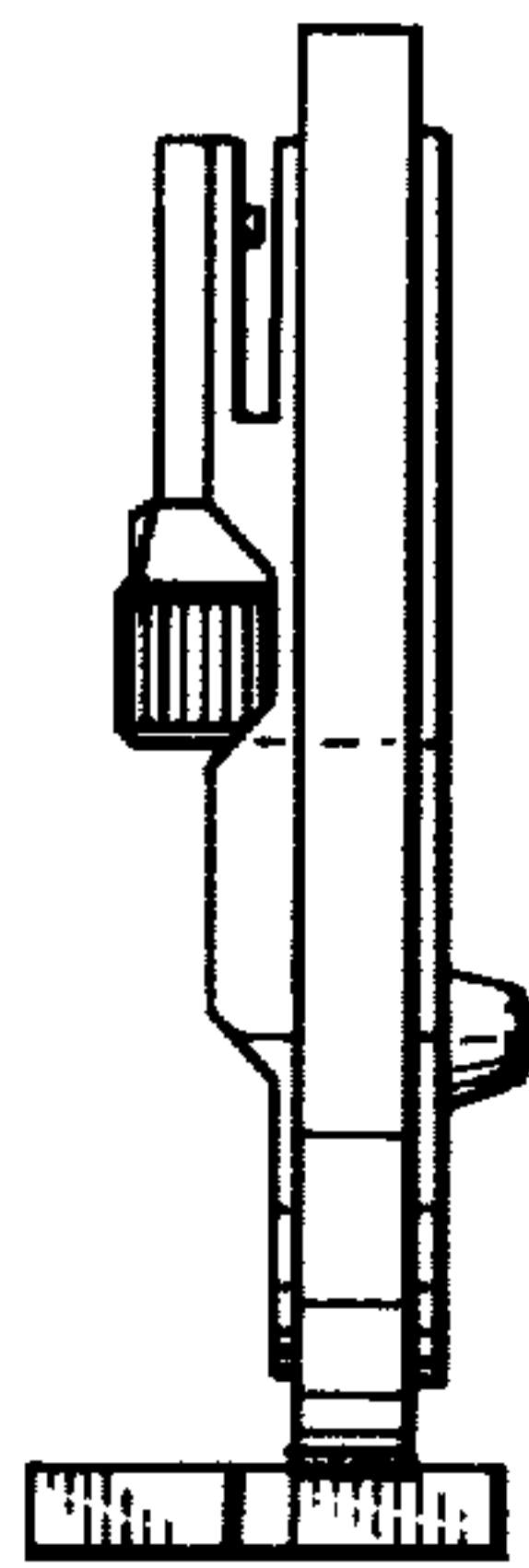
*Fig. 3.*



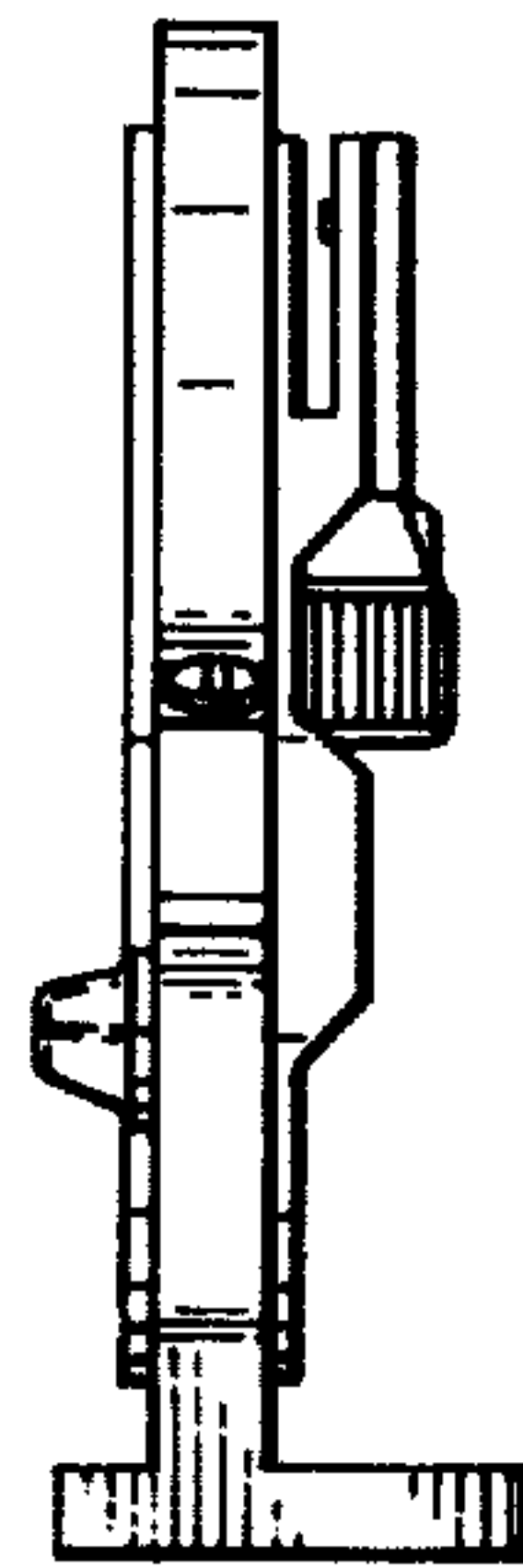
*Fig. 4.*



*Fig. 5.*



*Fig. 6.*



*Fig. 7.*

