

[54] PACKAGING CONTAINER FOR WELDING RODS

[75] Inventors: Oscar T. Neto; Joao E. B. Migliano; Jean L. Fluckiger, all of Sao Paulo, Brazil

[73] Assignee: Eutectic Corporation, Flushing, N.Y.

[**] Term: 14 Years

[21] Appl. No.: 232,375

[22] Filed: Feb. 6, 1981

[51] Int. Cl. D9-03

[52] U.S. Cl. D9/431; D9/414; D9/418; D9/432

[58] Field of Search 229/17 G, 23 BT, 9-11; 206/443; D9/418, 414, 432, 431

[56] References Cited

U.S. PATENT DOCUMENTS

D. 92,592	6/1934	Devendorf	D9/431
D. 92,775	7/1934	Sekine	D9/418
D. 138,749	9/1944	Sumbarido	D9/418
D. 156,948	1/1950	Fisher	D9/426
D. 245,229	8/1977	Hanson	D9/418
D. 259,253	5/1981	Nelson	D9/418

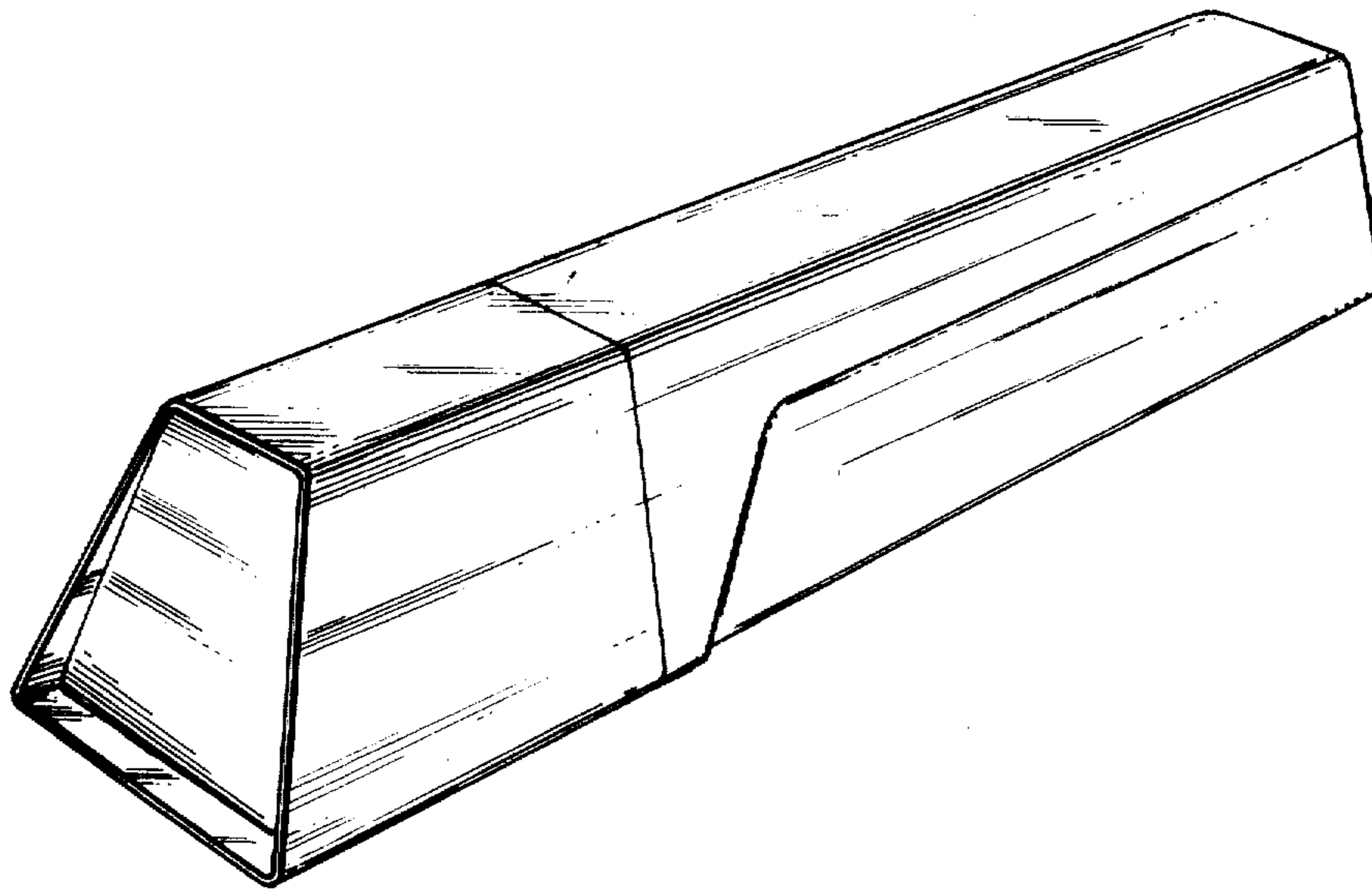
Primary Examiner—Robert C. Spangler
Attorney, Agent, or Firm—Hopgood, Calimafde, Kalil, Blaustein & Judlowe

[57] CLAIM

The ornamental design for a packaging container for welding rods, substantially as shown and described.

DESCRIPTION

FIG. 1 is a perspective view of a packaging container for welding rods showing our new design; FIG. 2 is an exploded perspective view showing the parts separated; FIG. 3 is a rear elevational view; and FIG. 4 is a bottom plan view thereof.



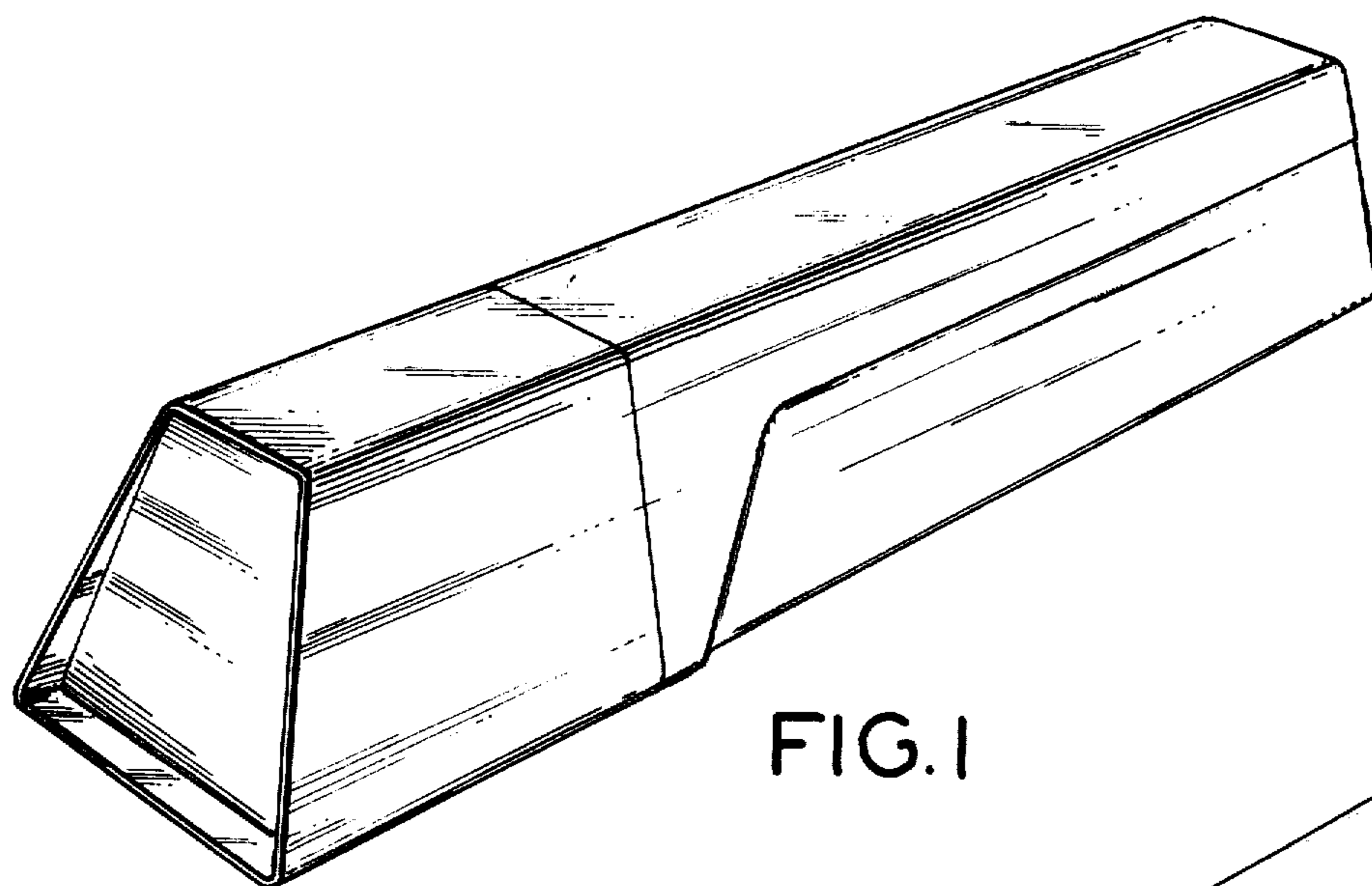


FIG. 1

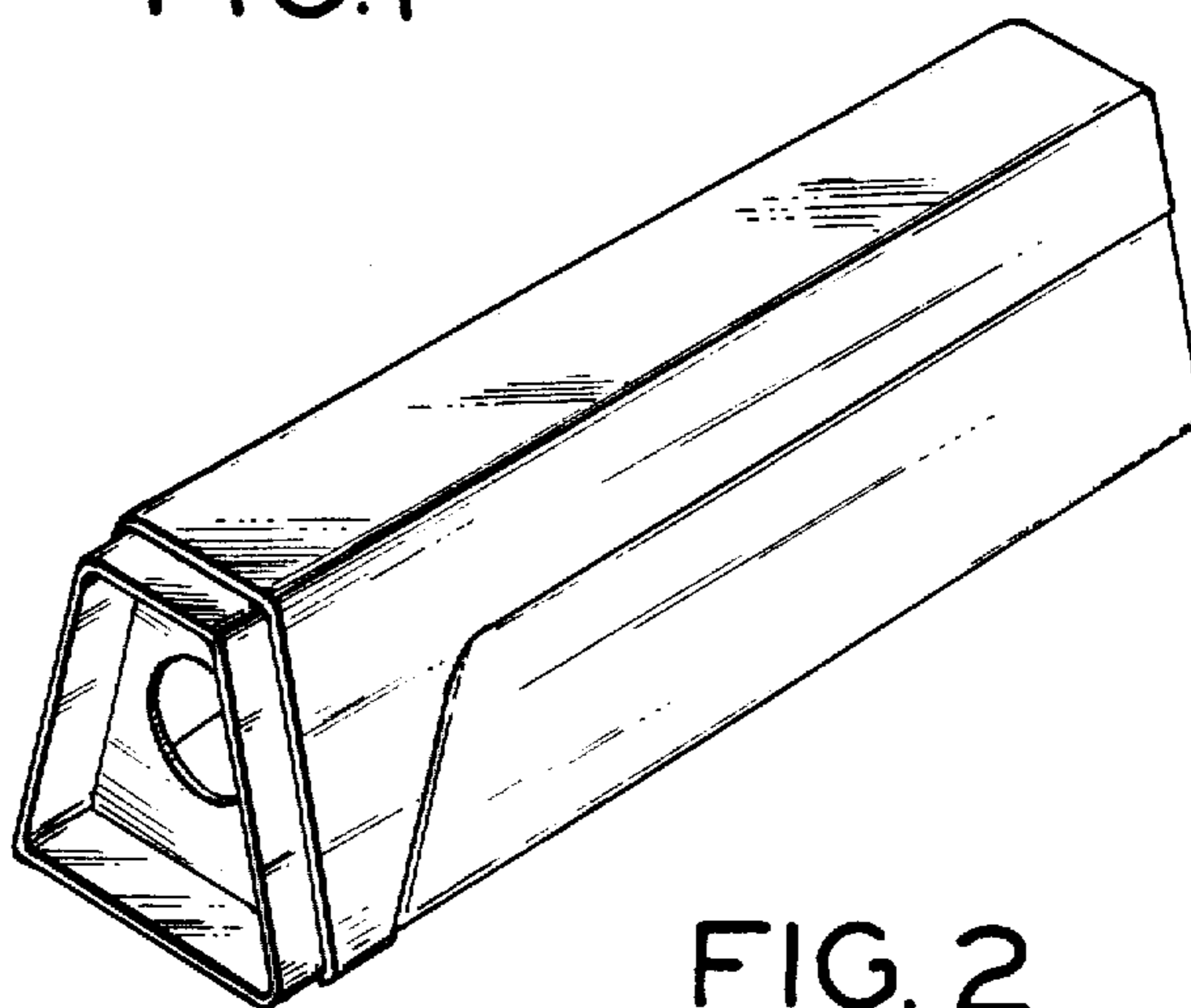
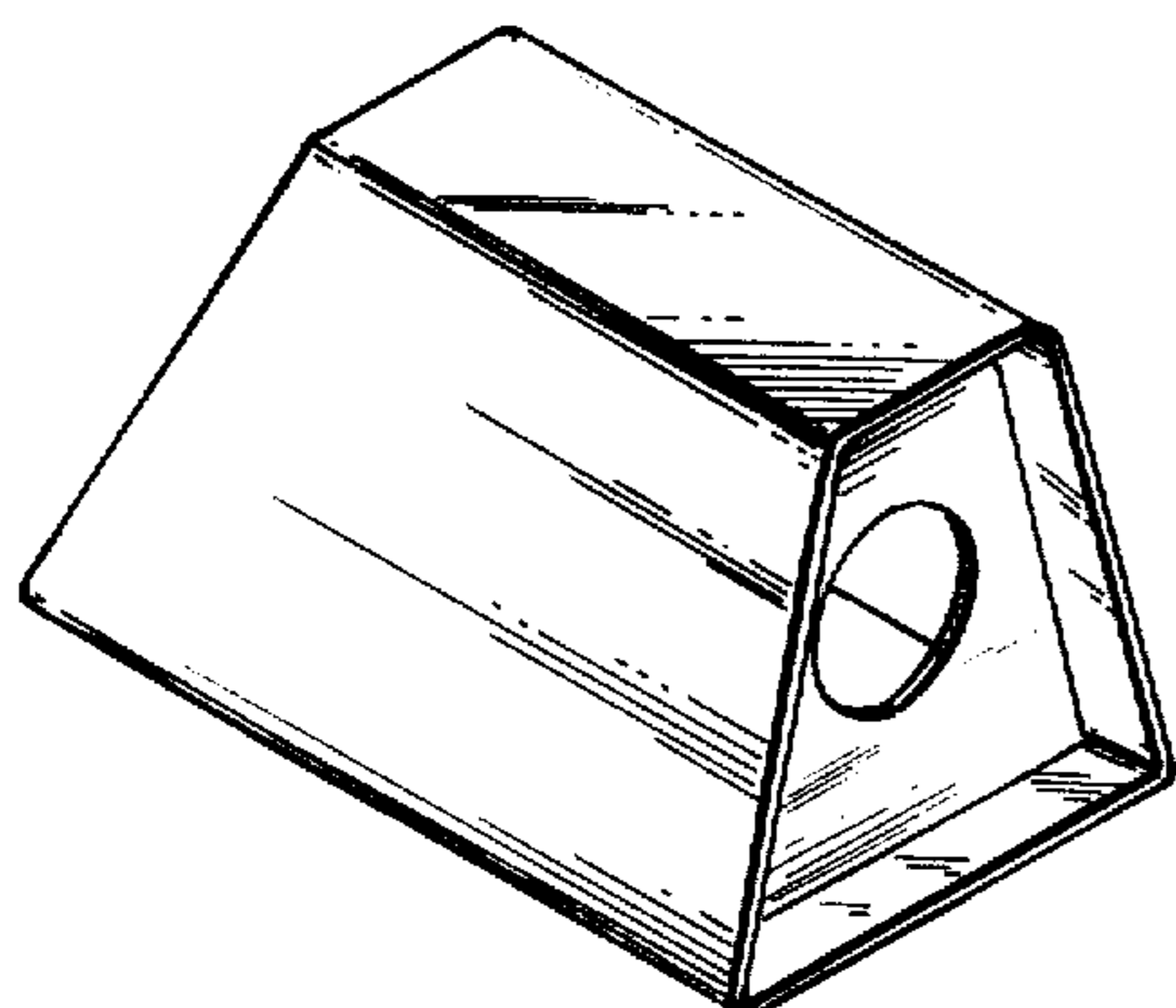


FIG. 2

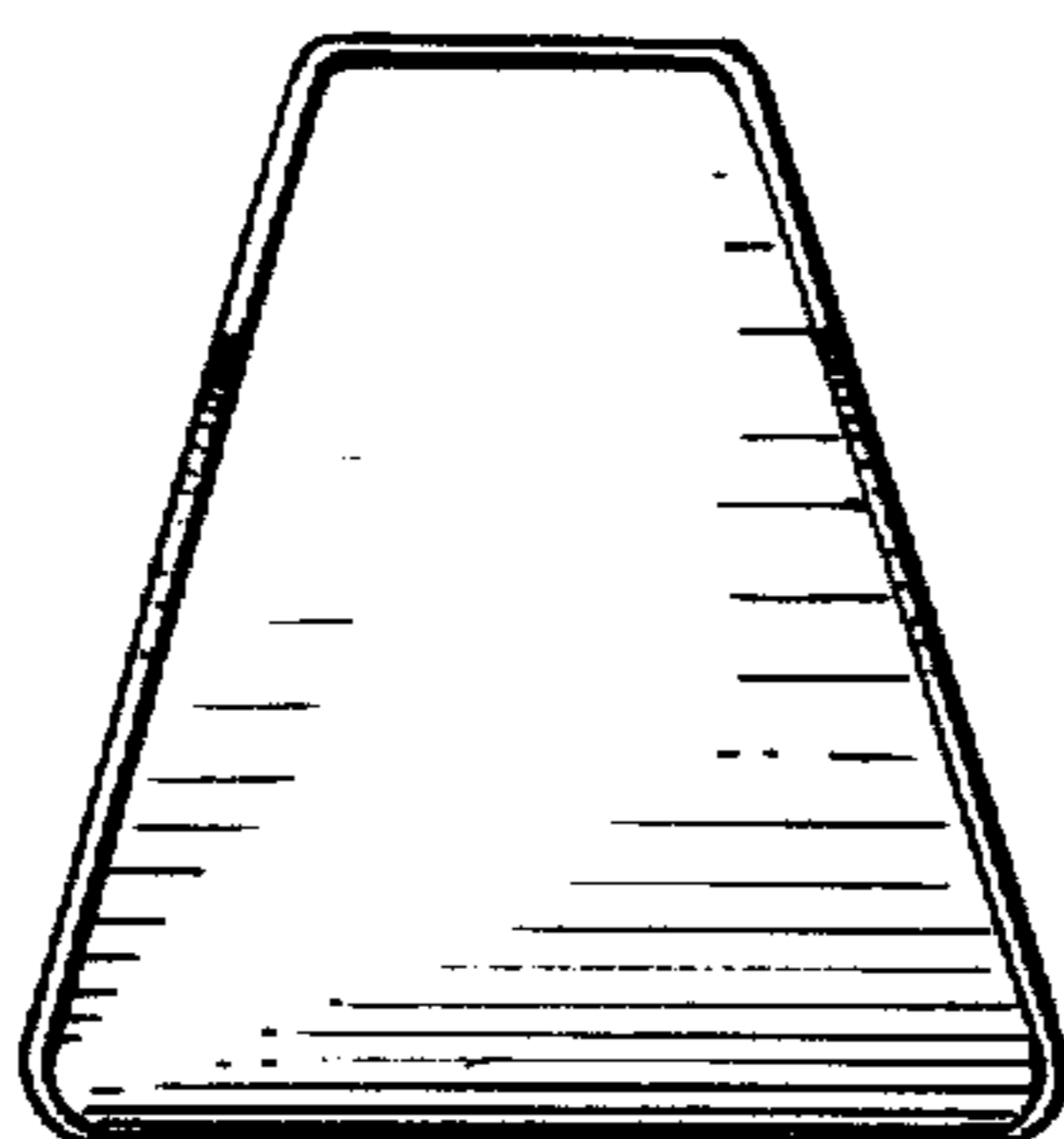


FIG. 3

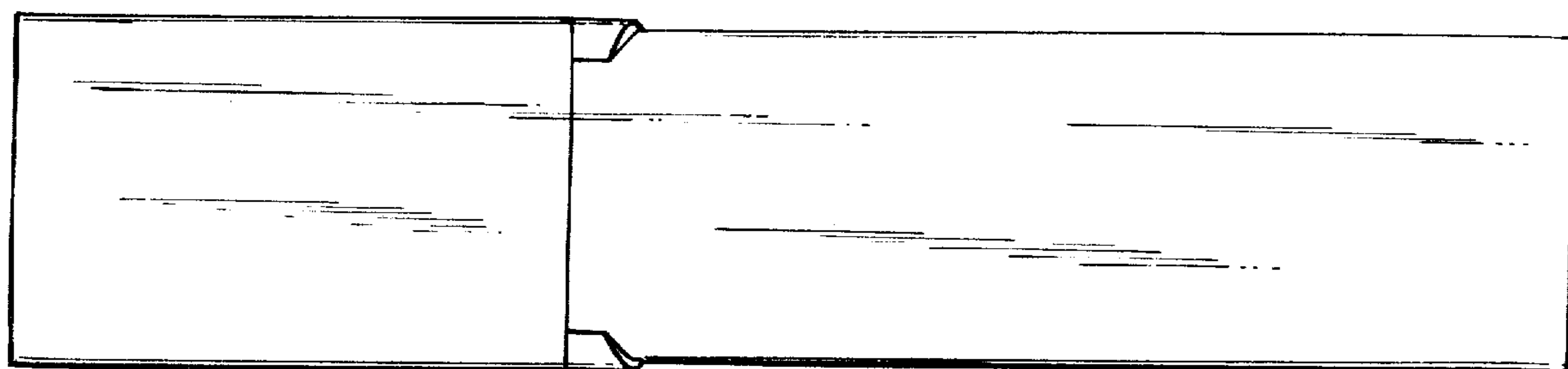


FIG. 4