

[54] FOOD CONTAINER

[75] Inventors: Dennis J. Nemura, Easton, Pa.; John M. Wathen, Jr., Chester, N.J.

[73] Assignee: American Can Company, Greenwich, Conn.

[**] Term: 14 Years

[21] Appl. No.: 74,673

[22] Filed: Sep. 12, 1979

[51] Int. Cl. D9-03

[52] U.S. Cl. D9/428

[58] Field of Search D7/30, 33, 36, 1; D9/349-355, 424-429; 229/2.5 A, 1.5 B, 4.5 R

[56] References Cited

U.S. PATENT DOCUMENTS

- D. 206,358 11/1966 Griese, Jr. D9/428
- D. 211,626 7/1968 Kerut D9/429

- D. 216,870 3/1970 Gregor D9/429
- D. 232,684 9/1974 Eicholtz D7/1 X
- 3,672,538 6/1972 Wiedemann D7/36

Primary Examiner—Robert C. Spangler
Attorney, Agent, or Firm—Robert P. Auber; George P. Ziehmer; Harry W. Hargis, III

[57] CLAIM

The ornamental design for a food container, substantially as shown and described.

DESCRIPTION

FIG. 1 is a top plan view of a food container embodying our new design;
FIG. 2 is a side elevational view;
FIG. 3 is an enlarged, fragmentary view taken on the line 3—3 of FIG. 1;
FIG. 4 is a fragmentary plan view, on an enlarged scale, of the interior ornamentation; and
FIG. 5 is a sectional view taken on the line 5—5 of FIG. 4.

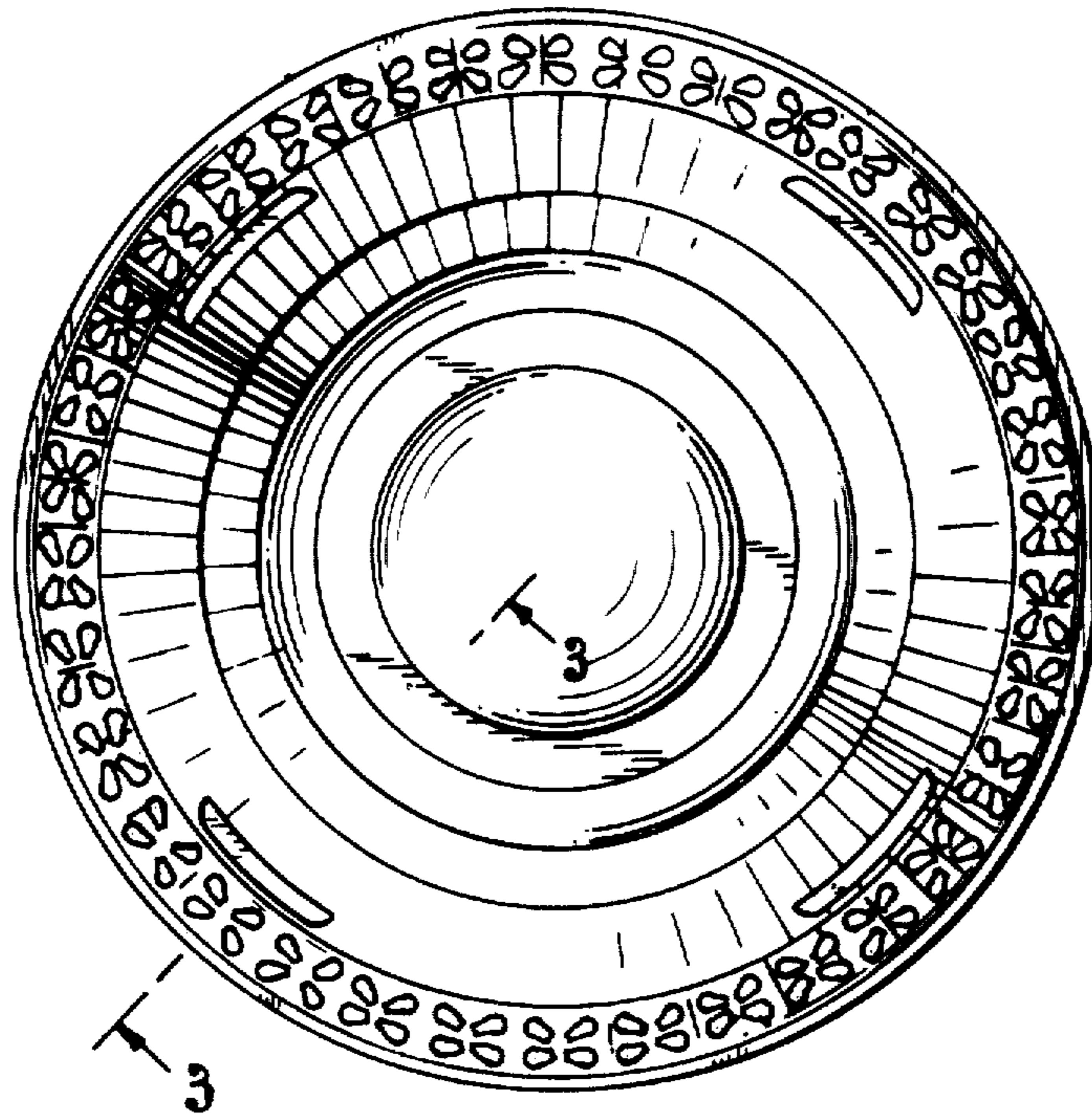


FIG. 1

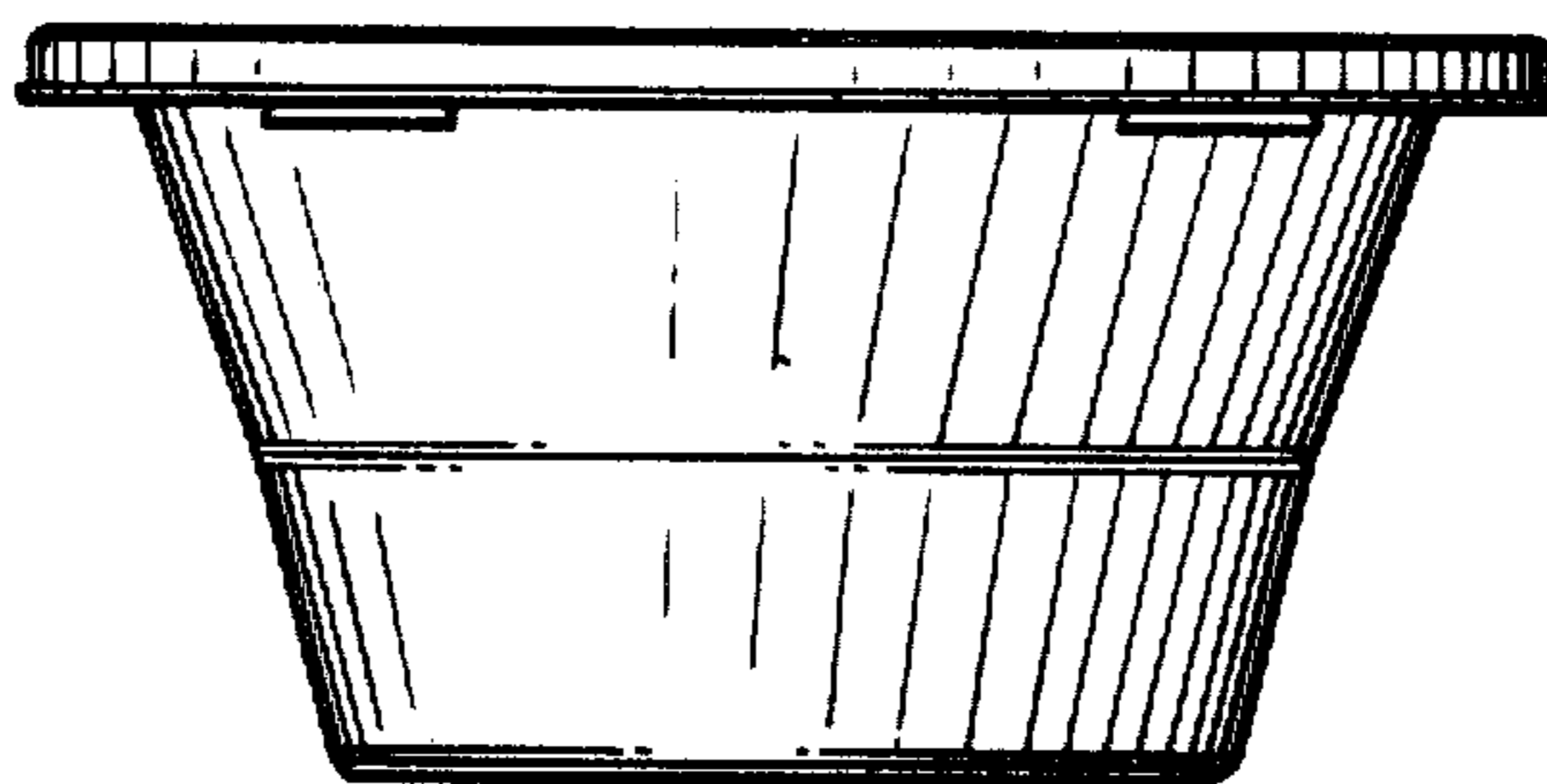
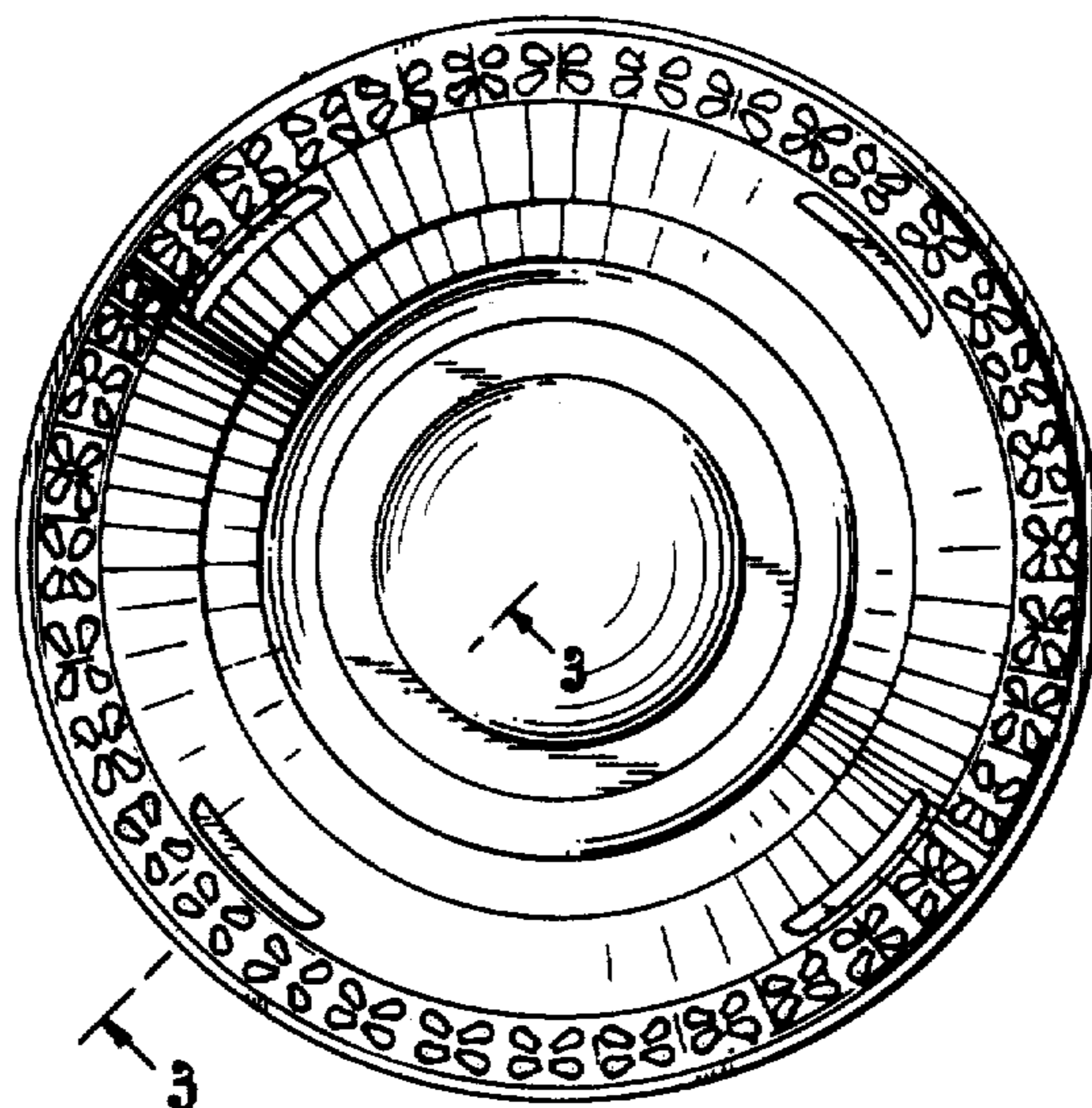


FIG. 2

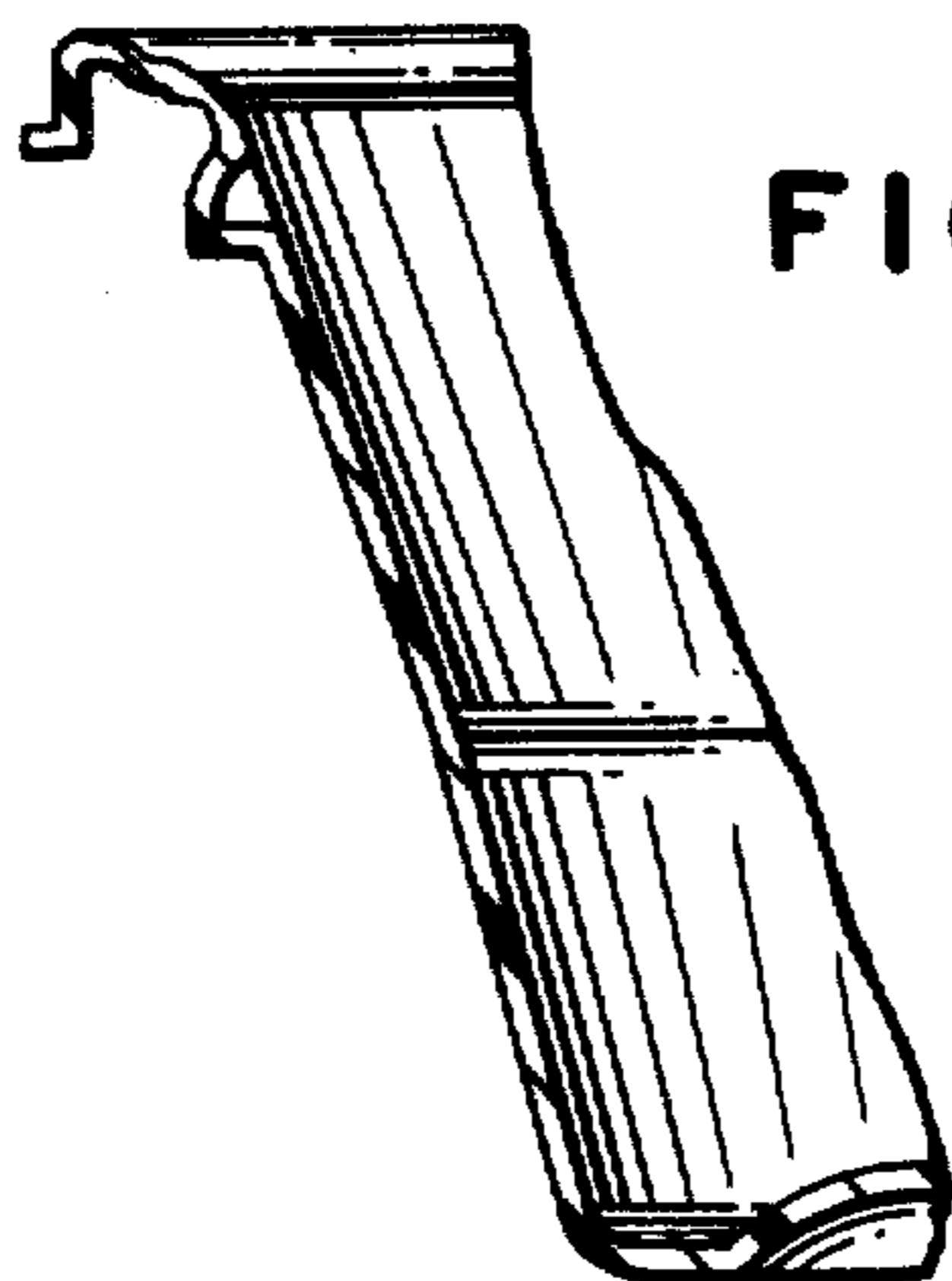


FIG. 3

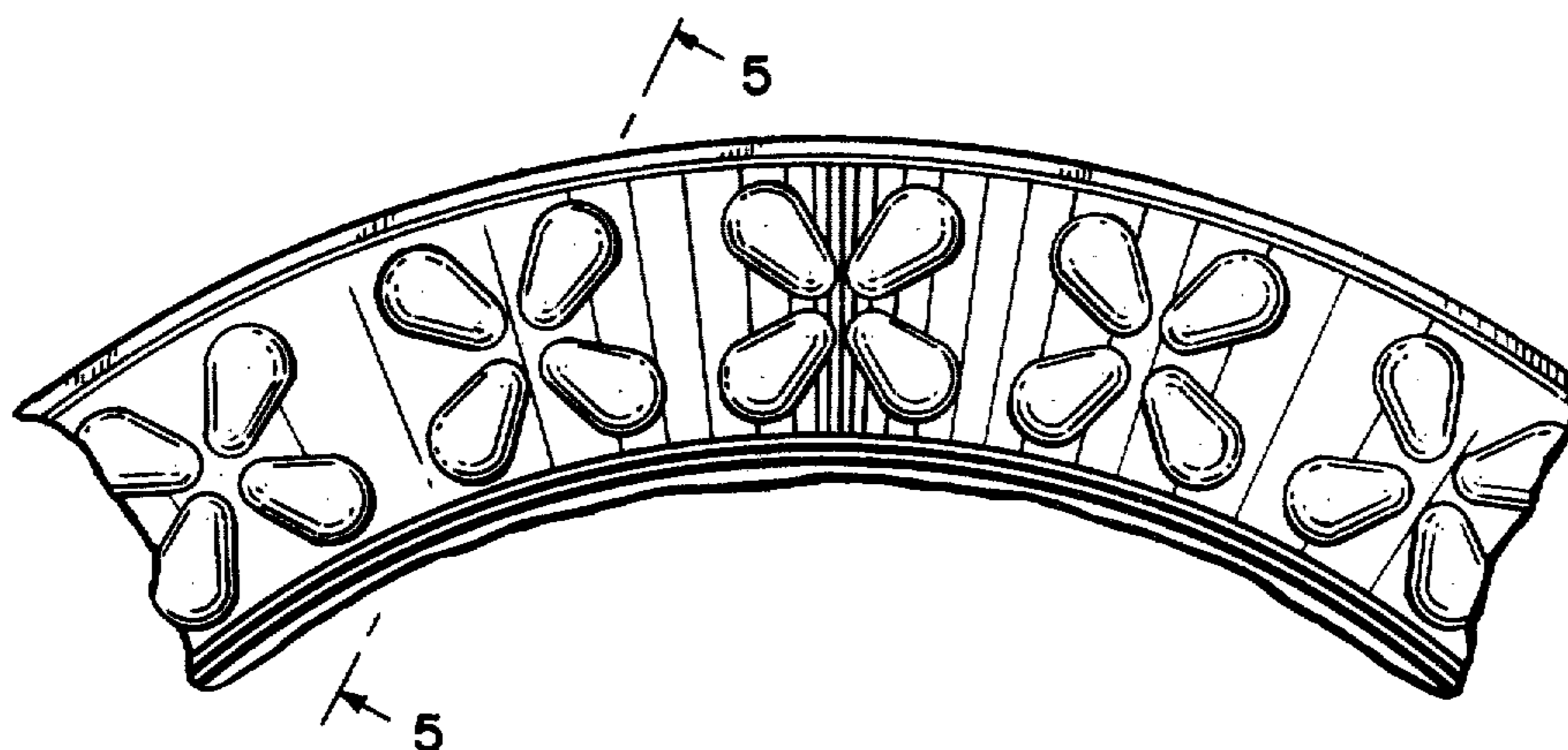


FIG. 4



FIG. 5