

[54] RIBBON CARTRIDGE SHIPPING TRAY

[75] Inventor: Anthony N. Paone, Syracuse, N.Y.

[73] Assignee: SCM Corporation, New York, N.Y.

[**] Term: 14 Years

[21] Appl. No.: 230,839

[22] Filed: Feb. 2, 1981

[51] Int. Cl. D9-03

[52] U.S. Cl. D9/345; D9/346; D9/456

[58] Field of Search D9/341, 345, 346, 424, D9/456; 206/214, 215, 303, 557-565; D3/35

[56] References Cited

U.S. PATENT DOCUMENTS

- D. 244,581 6/1977 Keough D9/456
- D. 248,147 6/1978 Rauch et al. D9/456

- D. 248,731 8/1978 Ogawa D9/345
- D. 249,638 9/1978 Chadbourne D9/456
- D. 257,932 1/1981 Putt D9/346 X
- 3,777,885 12/1973 Barteck 206/560

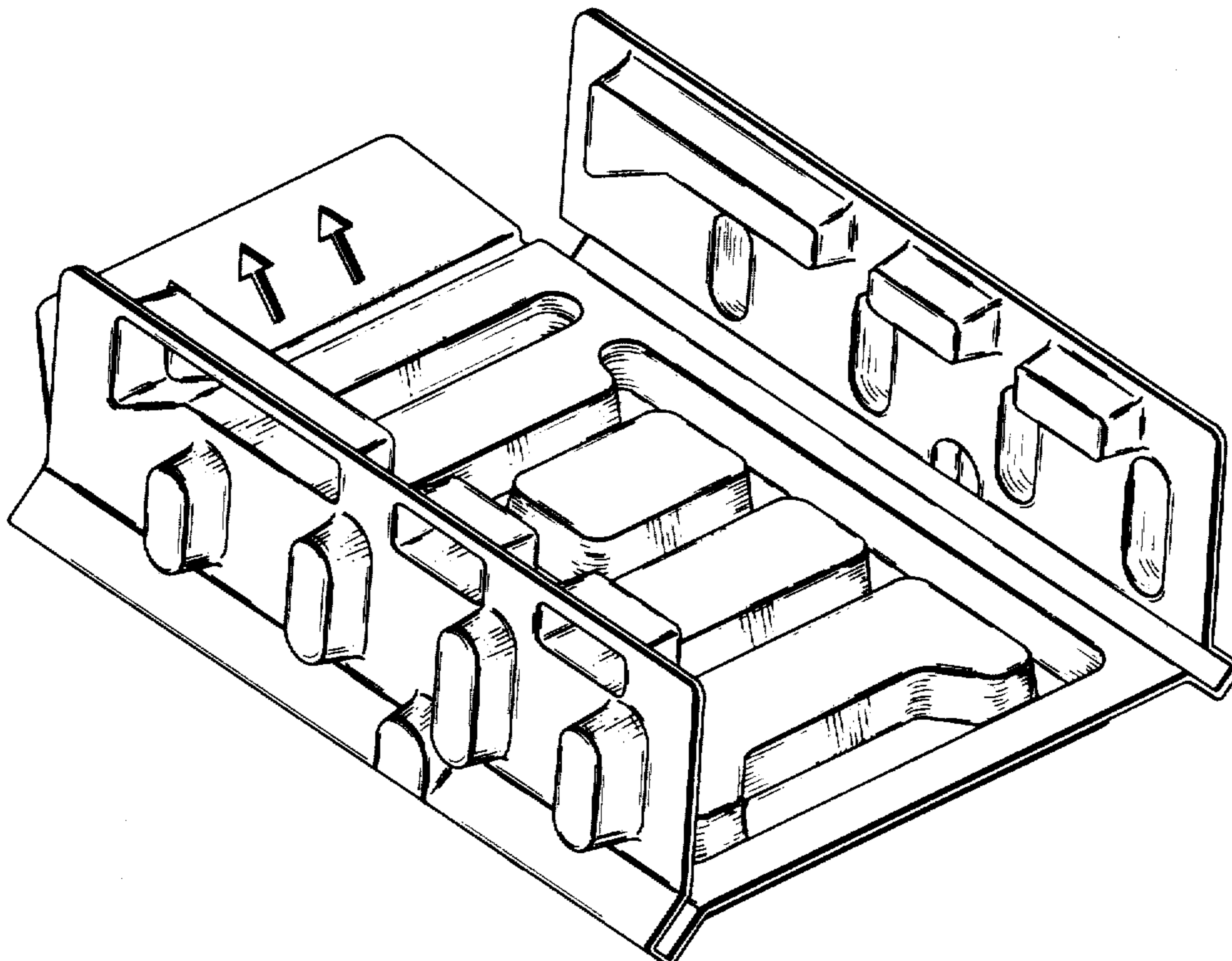
Primary Examiner—Robert C. Spangler
Attorney, Agent, or Firm—William E. Mear, III; Ernest F. Weinberger

[57] CLAIM

The ornamental design for a ribbon cartridge shipping tray, as shown.

DESCRIPTION

FIG. 1 is a rear perspective view of a ribbon cartridge shipping tray showing my new design; FIG. 2 is a top plan view thereof; FIG. 3 is a front elevational view thereof; FIG. 4 is a rear elevational view thereof; FIG. 5 is a bottom plan view thereof; FIG. 6 is a right side elevational view thereof; and FIG. 7 is a left side elevational view thereof.



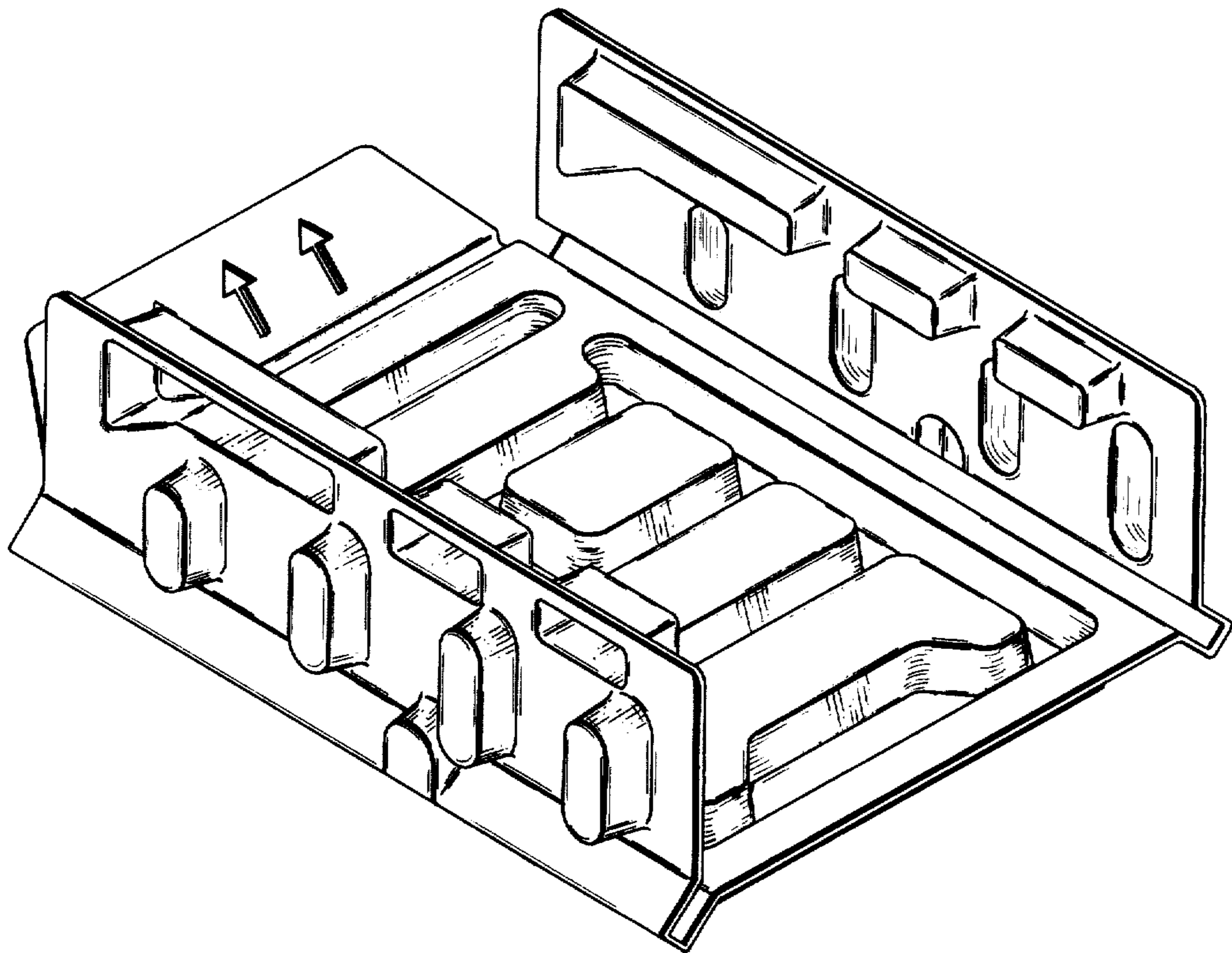


FIG. 1

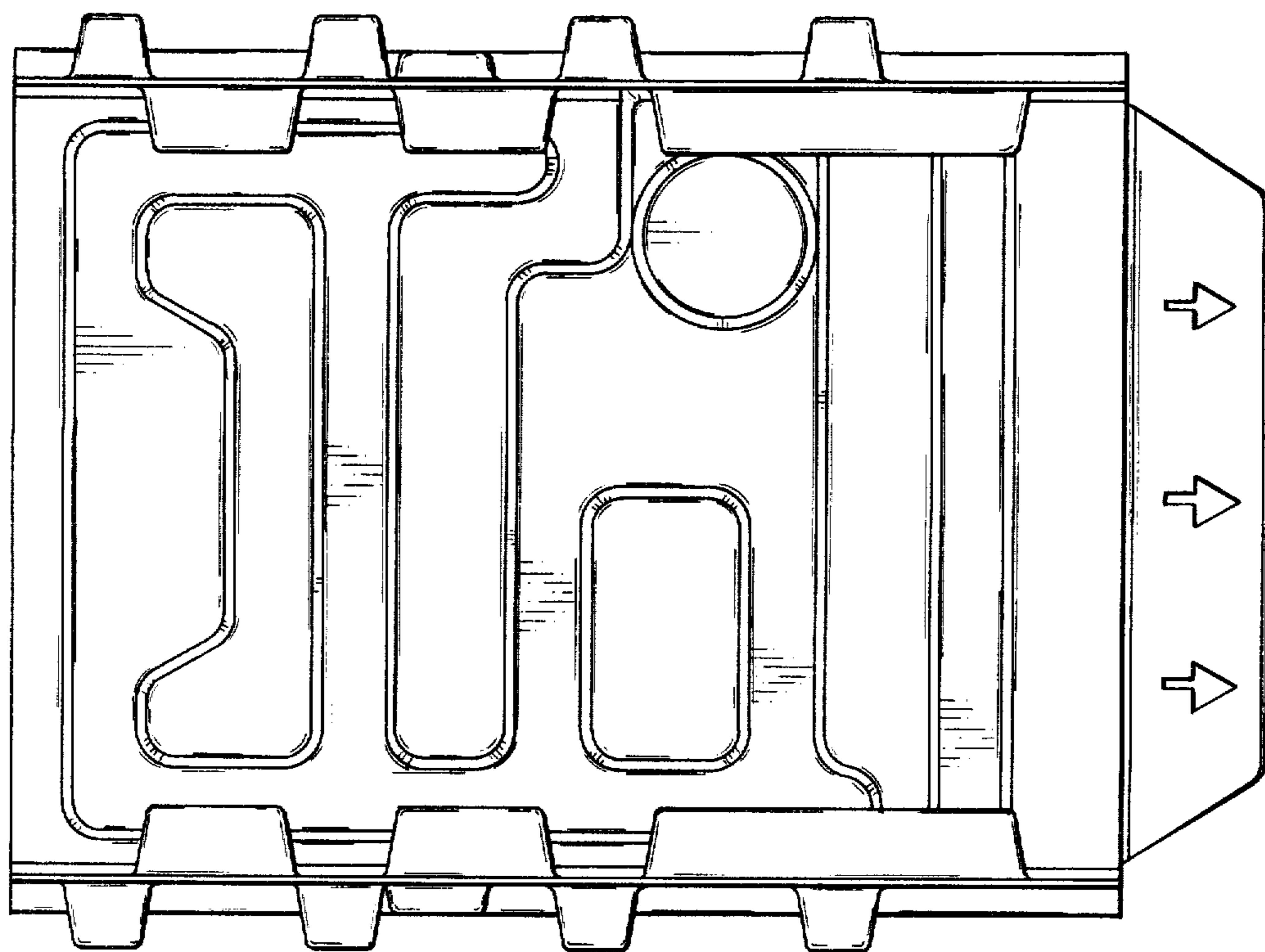


FIG 2

FIG 3

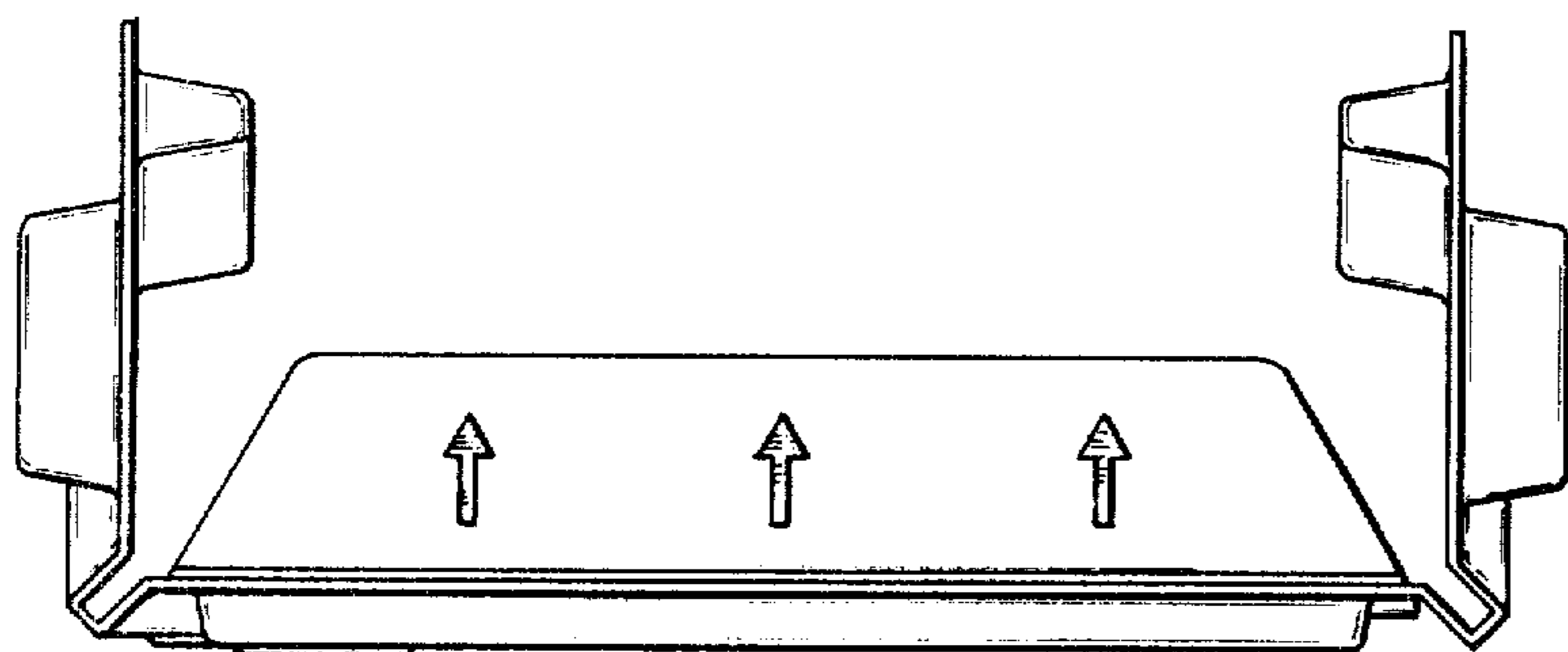
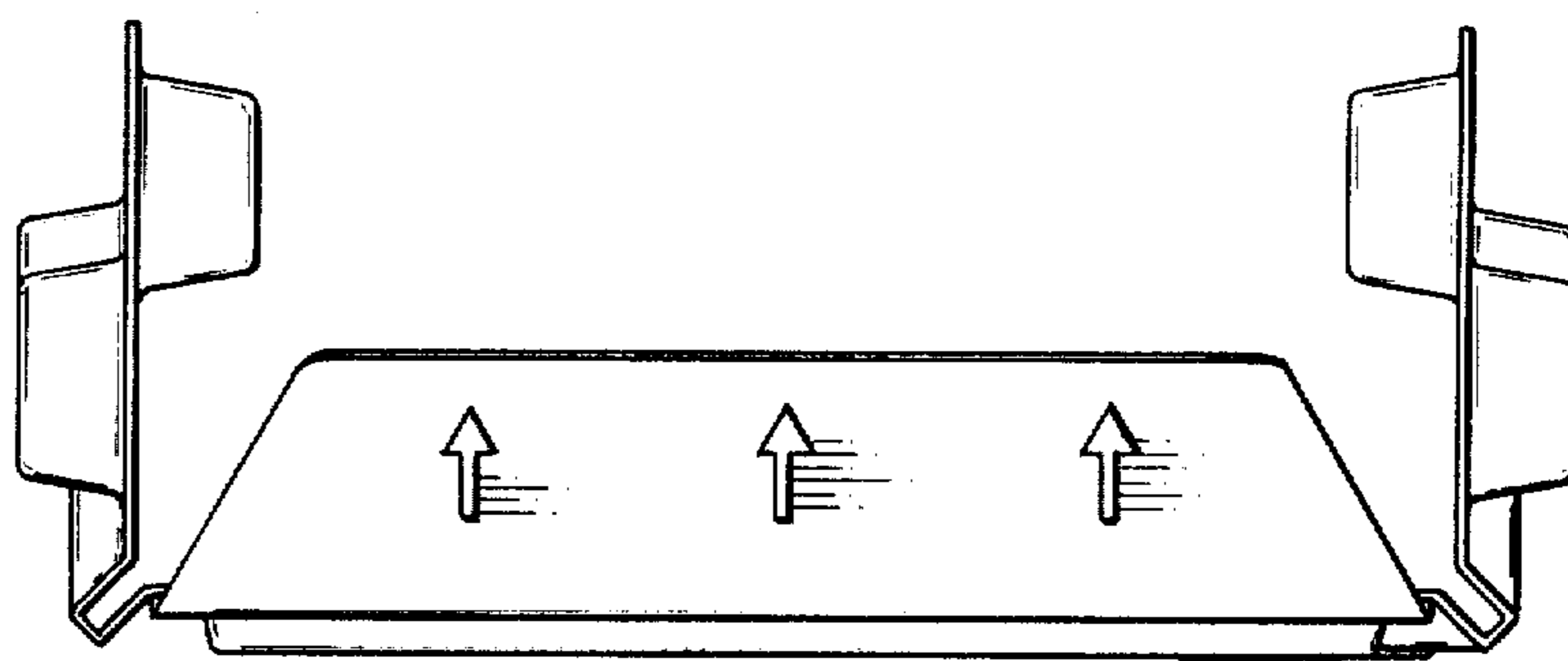


FIG 4

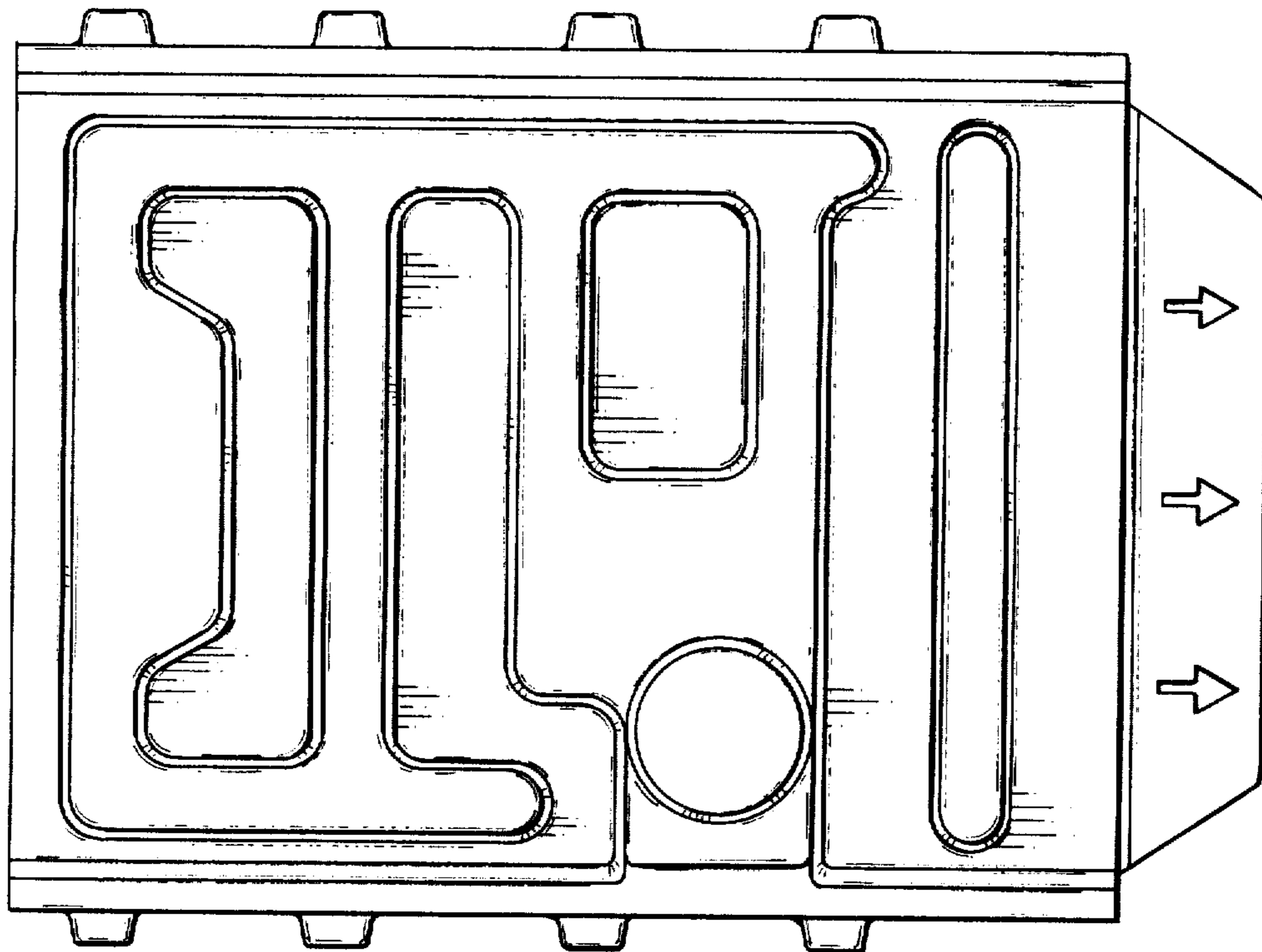


FIG 5

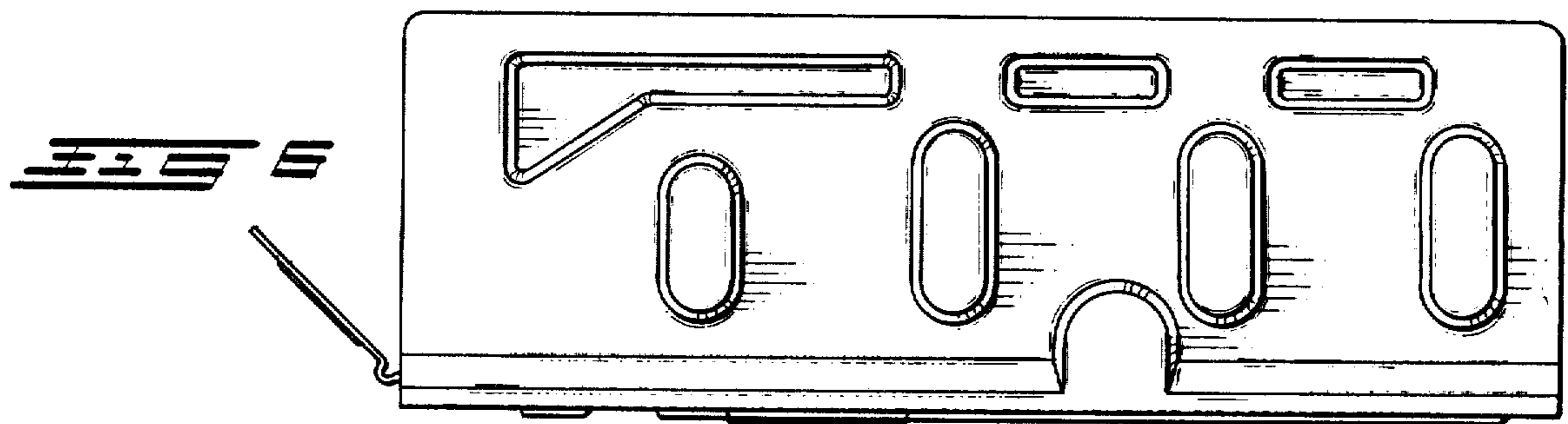


FIG 6

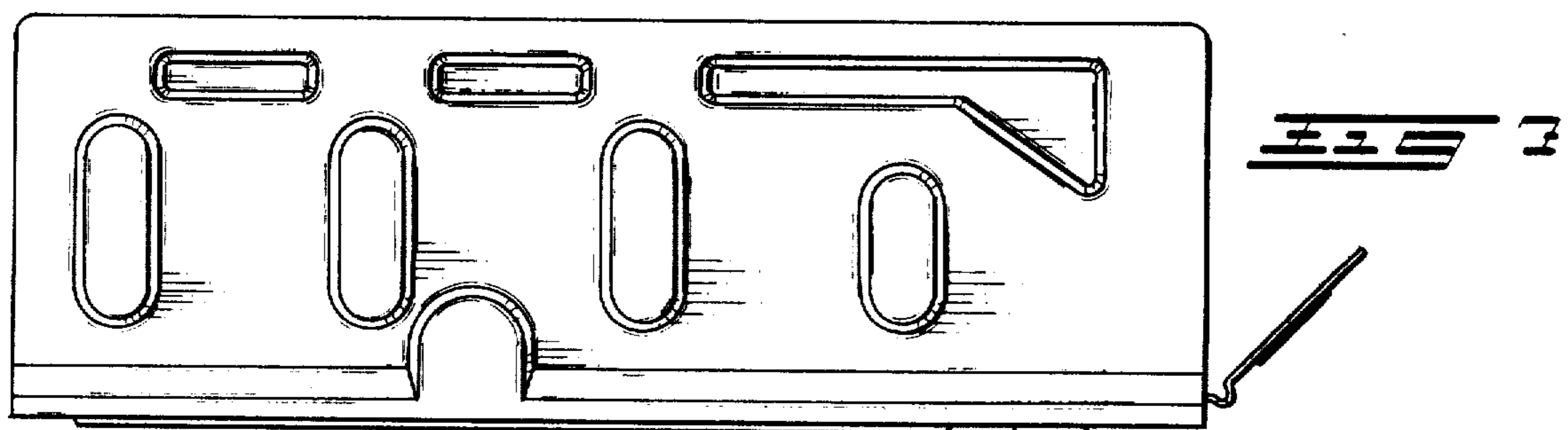


FIG 7