

[54] FOOD PROCESSOR

[75] Inventors: Norman A. Steinkamp, La Grange Park; Richard K. Thomas, Elk Grove Village; Bernard B. Bluestein, Des Plaines, all of Ill.

[73] Assignee: Sunbeam Corporation, Chicago, Ill.

[**] Term: 14 Years

[21] Appl. No.: 224,249

[22] Filed: Jan. 12, 1981

[51] Int. Cl. D7-04
[52] U.S. Cl. D7/386; D7/384
[58] Field of Search D7/153, 154, 159; D15/98

[56]

References Cited

U.S. PATENT DOCUMENTS

D. 191,153	8/1961	Gresens et al.	D7/154
D. 226,124	1/1973	Roberts	D7/159
D. 250,568	12/1978	Belinkoff	D7/153
D. 256,318	8/1980	Levin	D7/154
D. 261,718	10/1981	Harrison	D7/153
4,111,372	9/1978	Hicks et al.	D7/153 X

Primary Examiner—Winifred E. Herrmann
Attorney, Agent, or Firm—George R. Clark; Neil M. Rose; Clifford A. Dean

[57]

CLAIM

The ornamental design for a food processor, as shown.

DESCRIPTION

FIG. 1 is a perspective view of a food processor showing our new design;
FIG. 2 is a front elevational view thereof;
FIG. 3 is a right side elevational view thereof;
FIG. 4 is a left side elevational view thereof;
FIG. 5 is a top plan view thereof; and
FIG. 6 is a rear elevational view thereof.

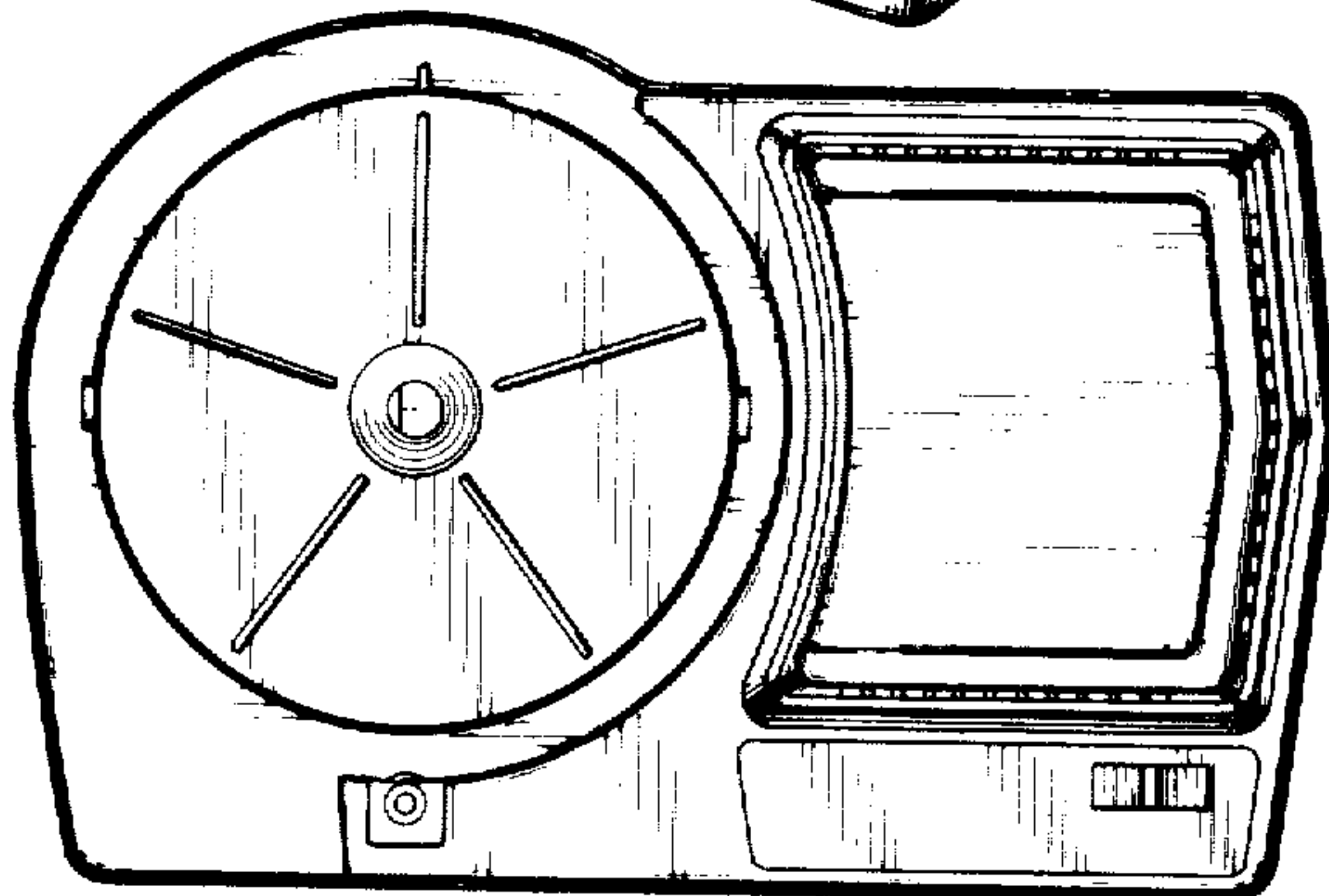
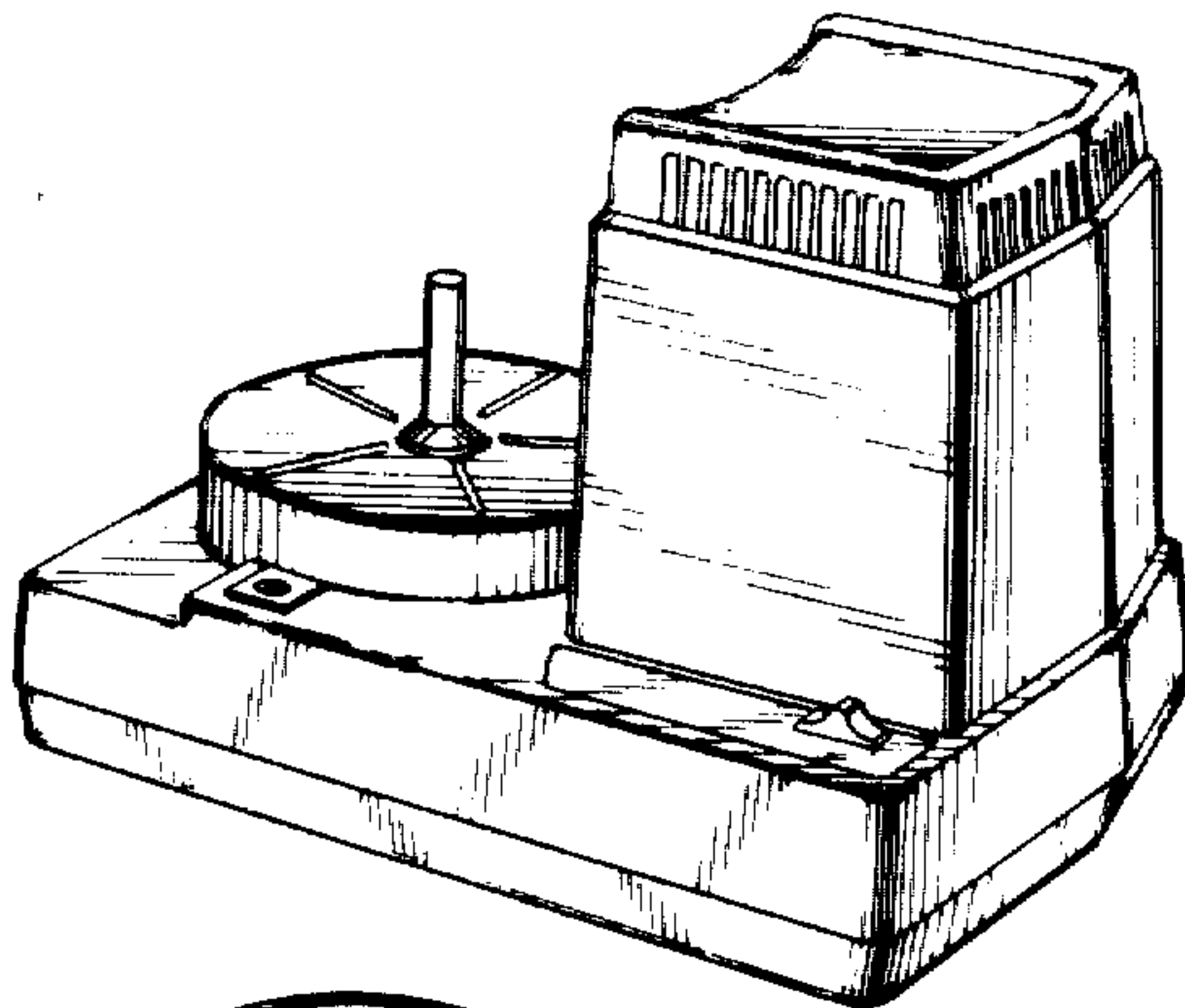


Fig. 1.

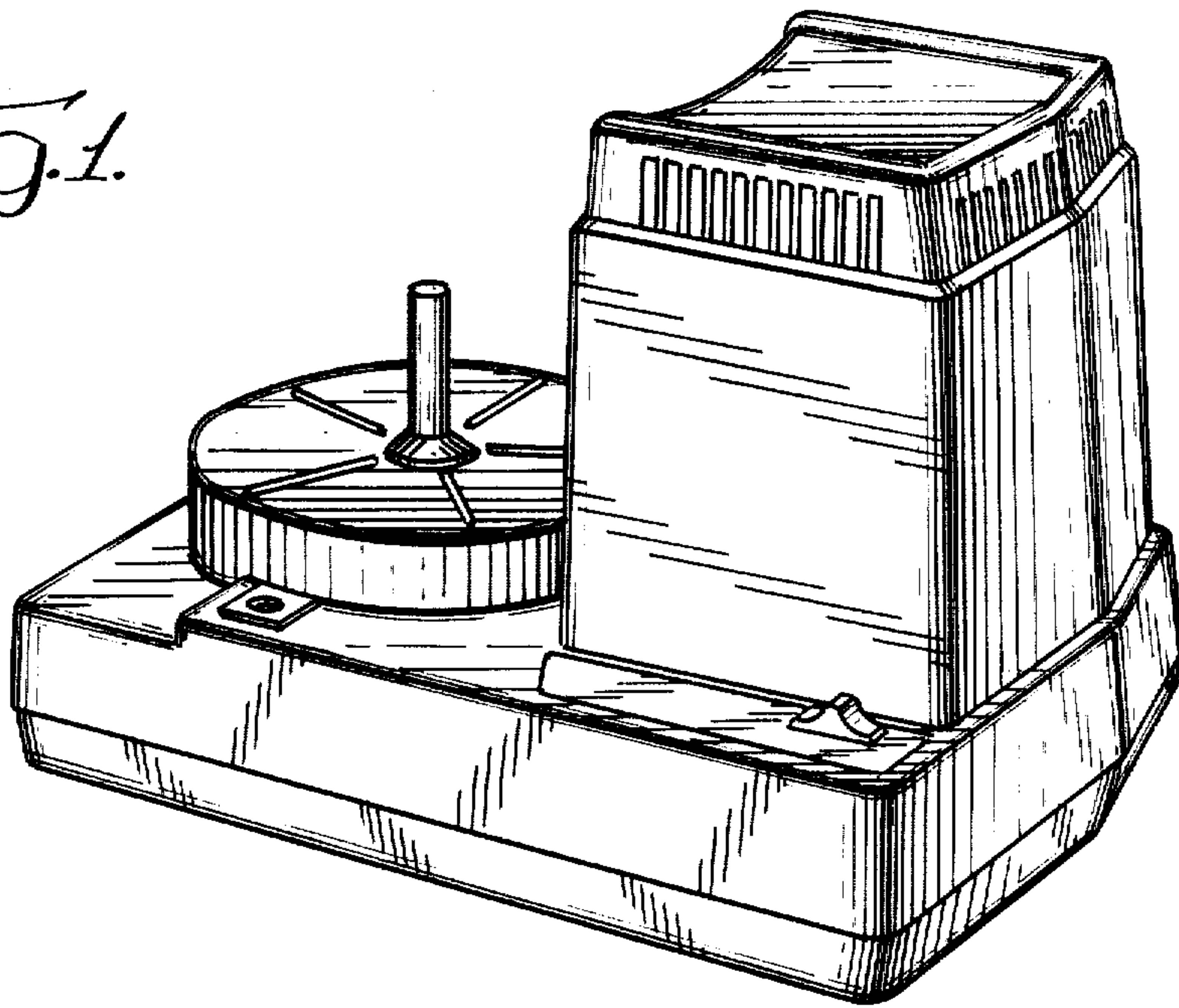


Fig. 2.

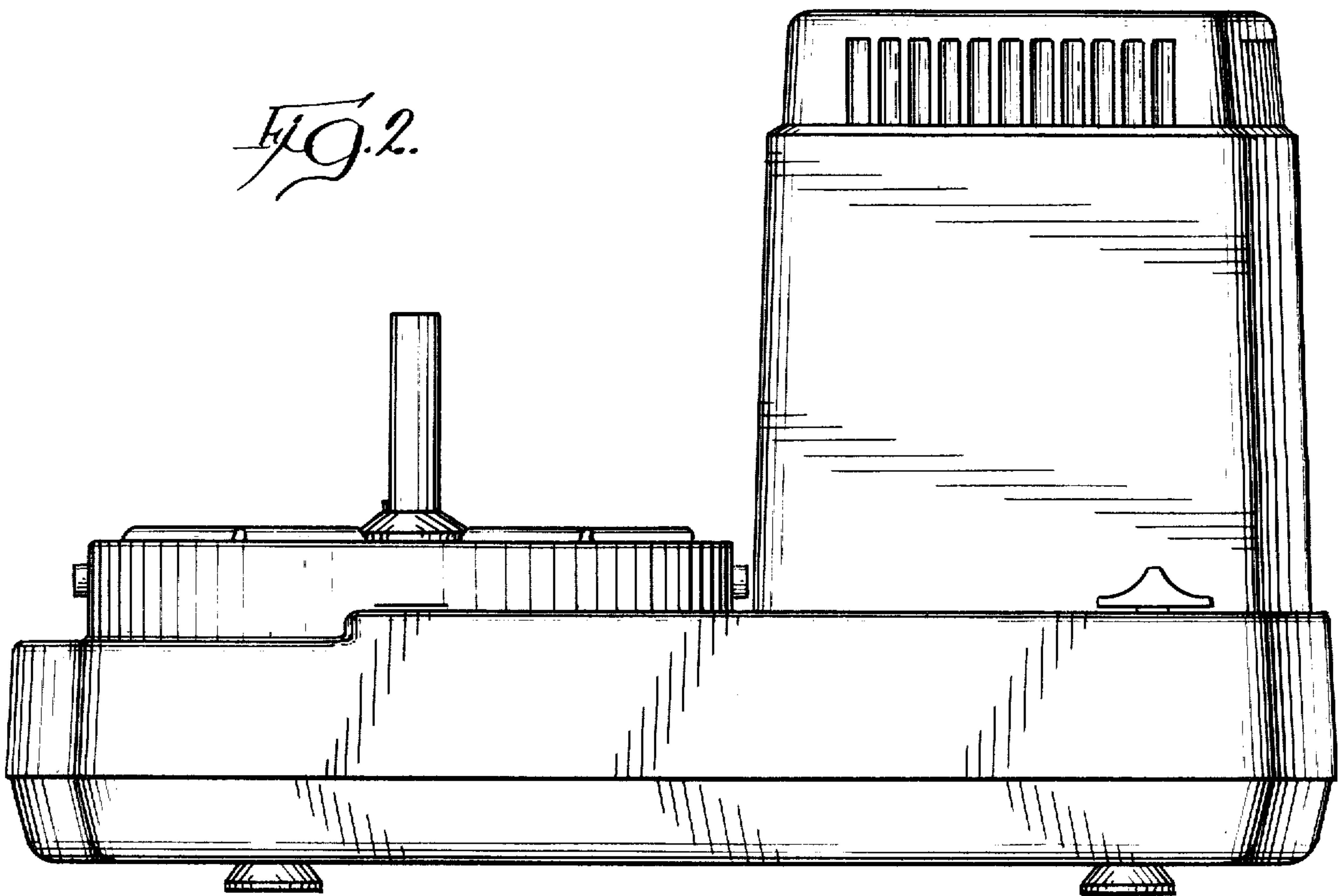


Fig. 3.

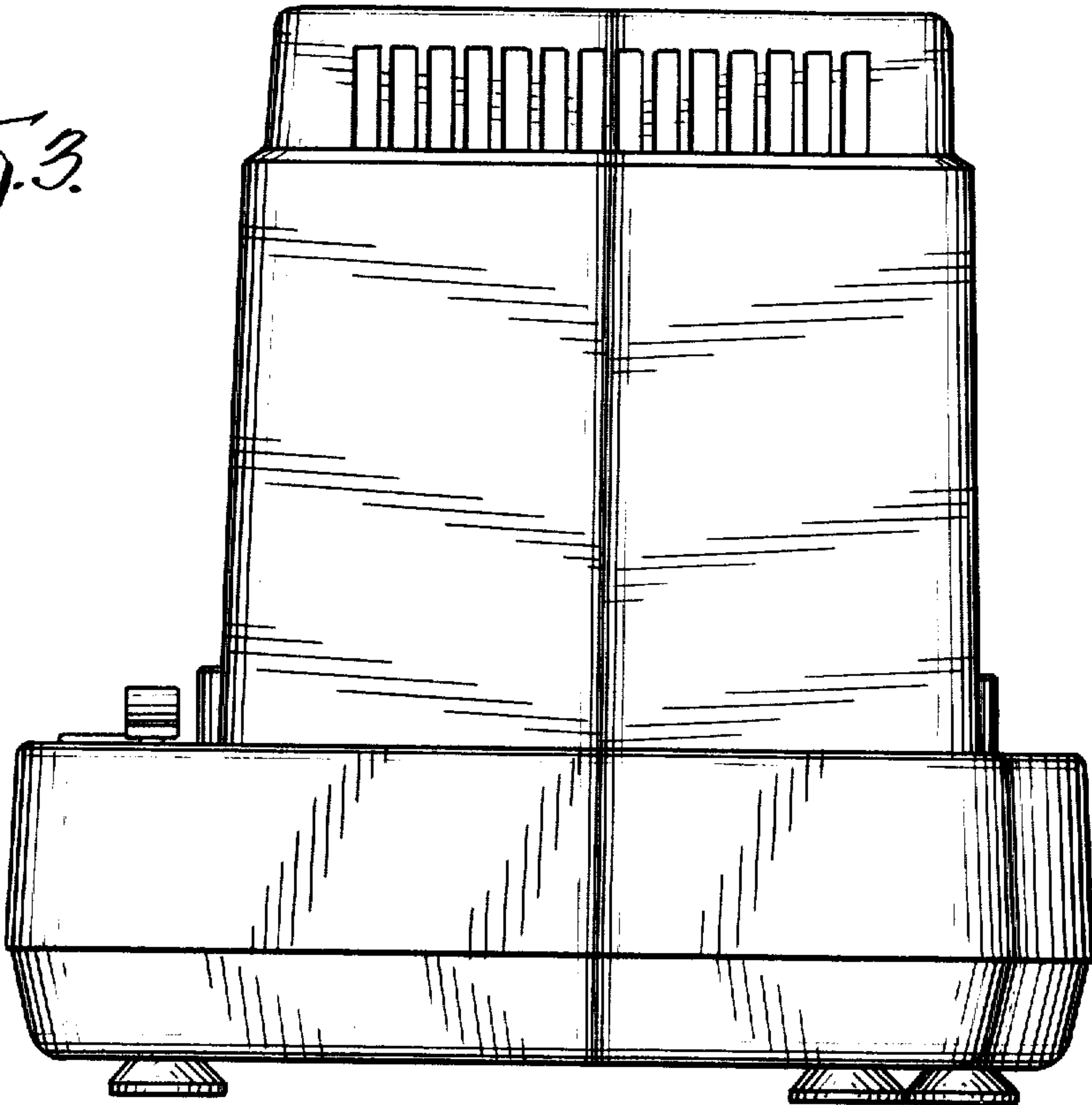


Fig. 4.

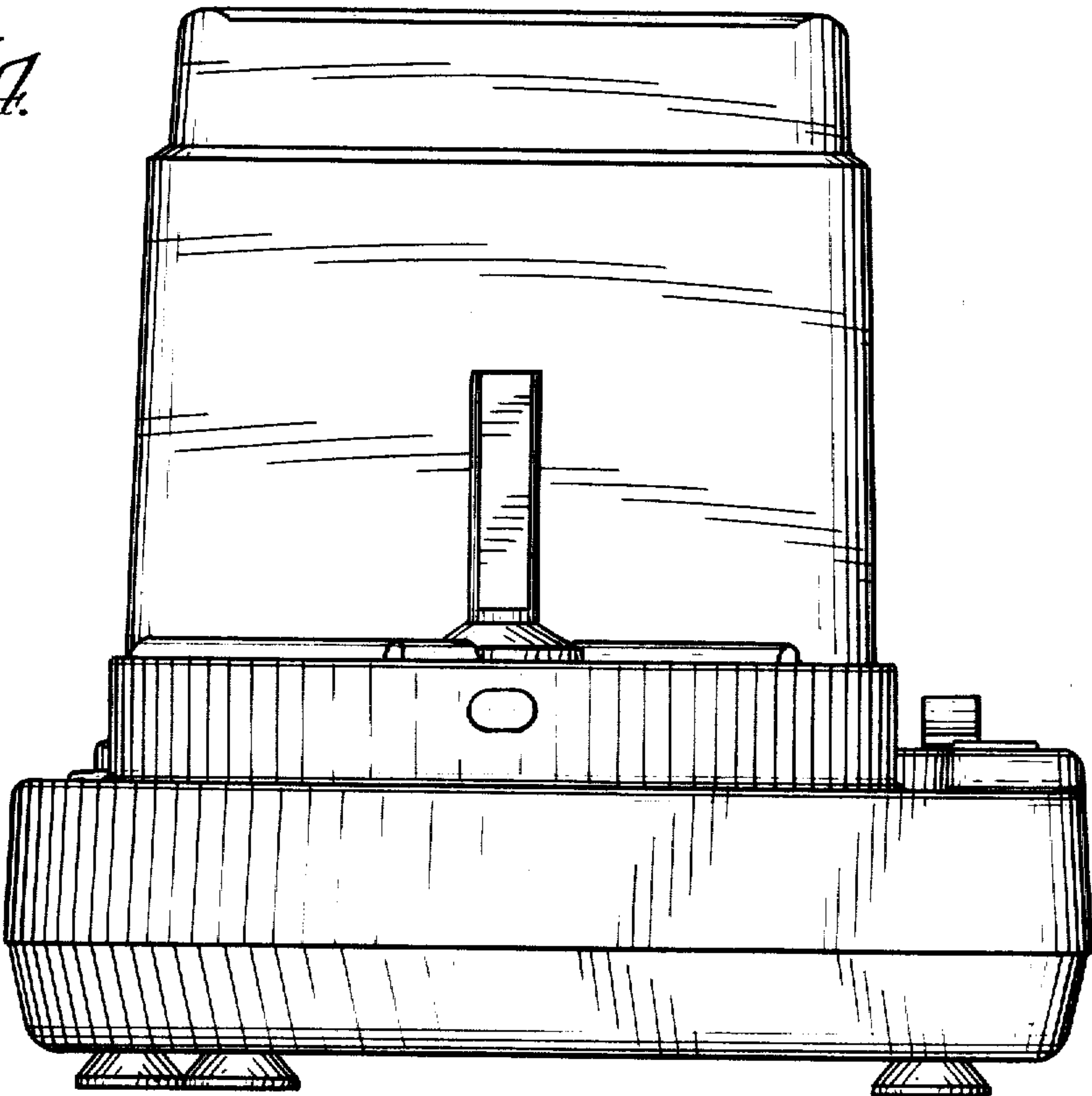


Fig. 5.

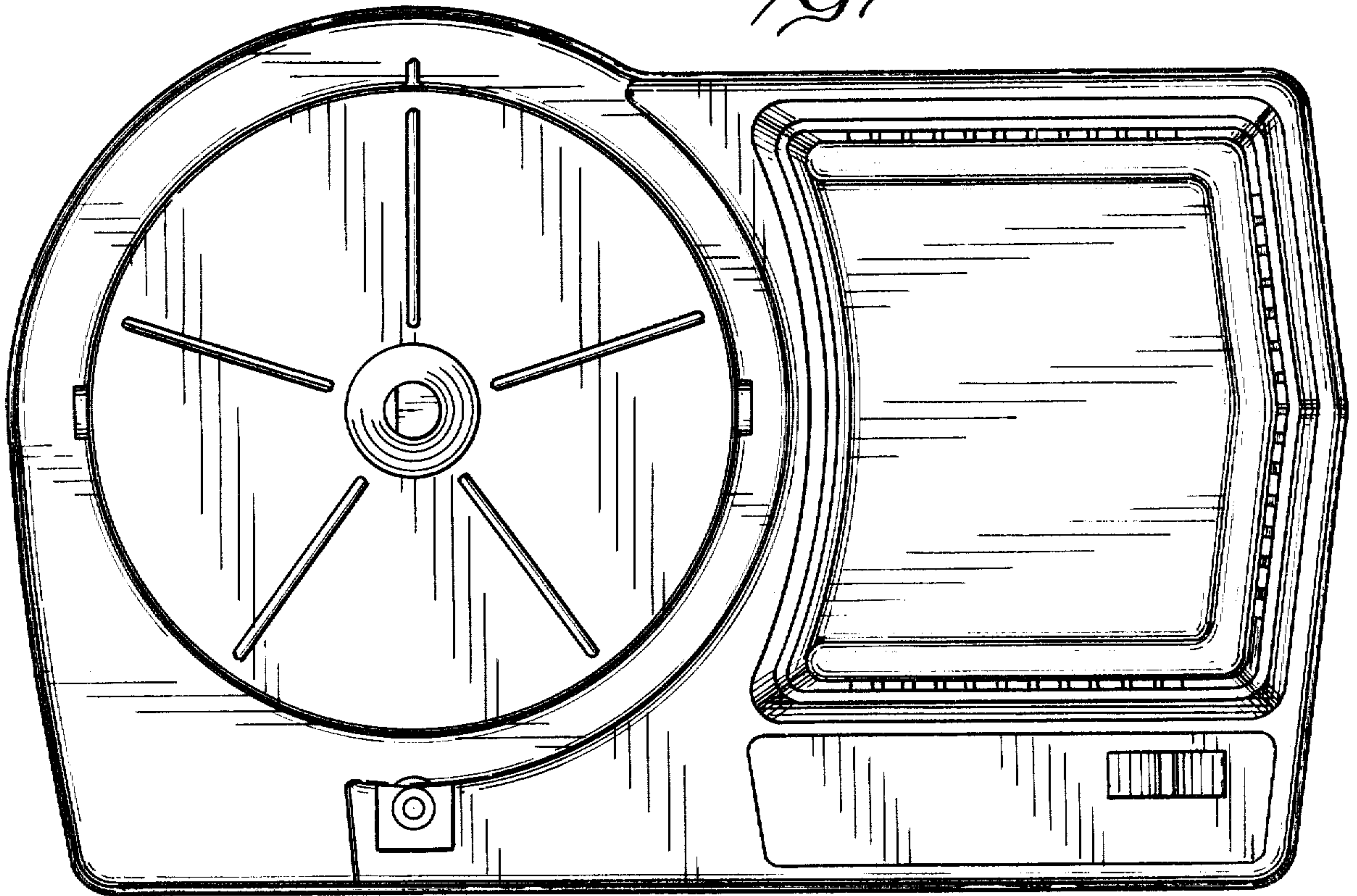


Fig. 6.

