

[54] **COMBINED SCOOP, FUNNEL, AND POURER**
 [75] **Inventor: James R. Findlay, Toledo, Ohio**
 [73] **Assignee: Impact Products, Inc., Toledo, Ohio**
 [**] **Term: 14 Years**
 [21] **Appl. No.: 205,698**
 [22] **Filed: Nov. 10, 1980**
 [51] **Int. Cl. D07-99**
 [52] **U.S. Cl. D7/318; D7/68; D7/104**
 [58] **Field of Search D7/50, 64, 65, 104, D7/68, 59; 141/98; 222/462, 465 R**

584,275 6/1897 Sevier .
 983,555 2/1911 Kelley .
 1,094,350 4/1914 Walter D7/50 X
 2,024,168 12/1935 Kneer 222/189 X
 2,287,156 6/1942 White .
 2,344,507 3/1944 Gookin .
 2,411,384 11/1946 Miller et al. .
 2,794,457 6/1957 Nicodemus .
 3,490,501 1/1970 Manem et al. 141/98 X

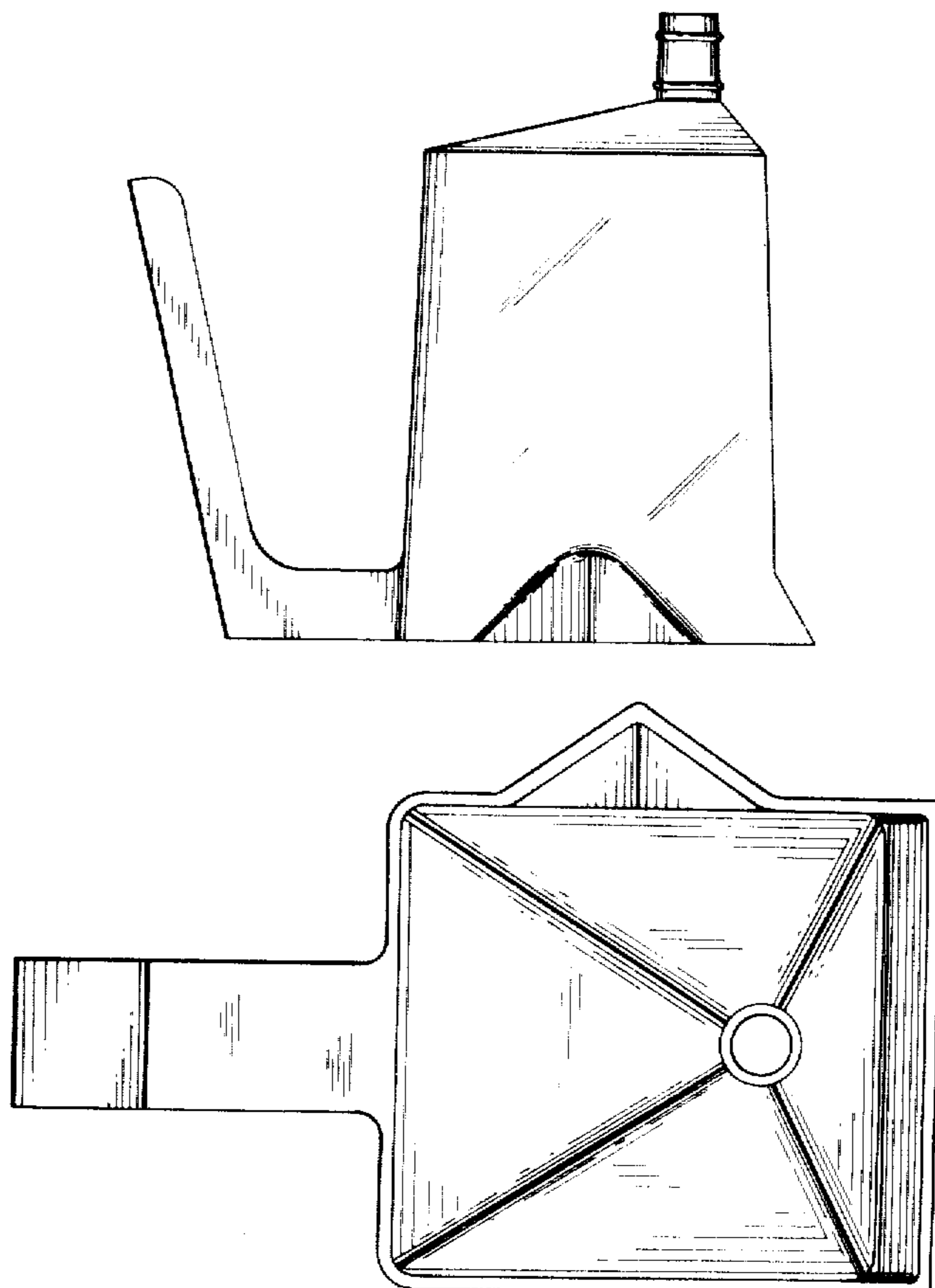
Primary Examiner—Winifred E. Herrmann
Attorney, Agent, or Firm—Wilson, Fraser, Barker & Clemens

[56] **References Cited**
U.S. PATENT DOCUMENTS
 D. 190,383 5/1961 Hanson D7/50
 D. 218,773 9/1970 Sitts D7/68
 478,303 7/1892 Allgood 222/189 X

[57] **CLAIM**
 The ornamental design for a combined scoop, funnel, and pourer, as shown.

DESCRIPTION

FIG. 1 is a front elevational view of a combined scoop, funnel, and pourer embodying my new design;
 FIG. 2 is a right side elevational view thereof;
 FIG. 3 is a top plan view thereof; and
 FIG. 4 is a bottom plan view thereof.



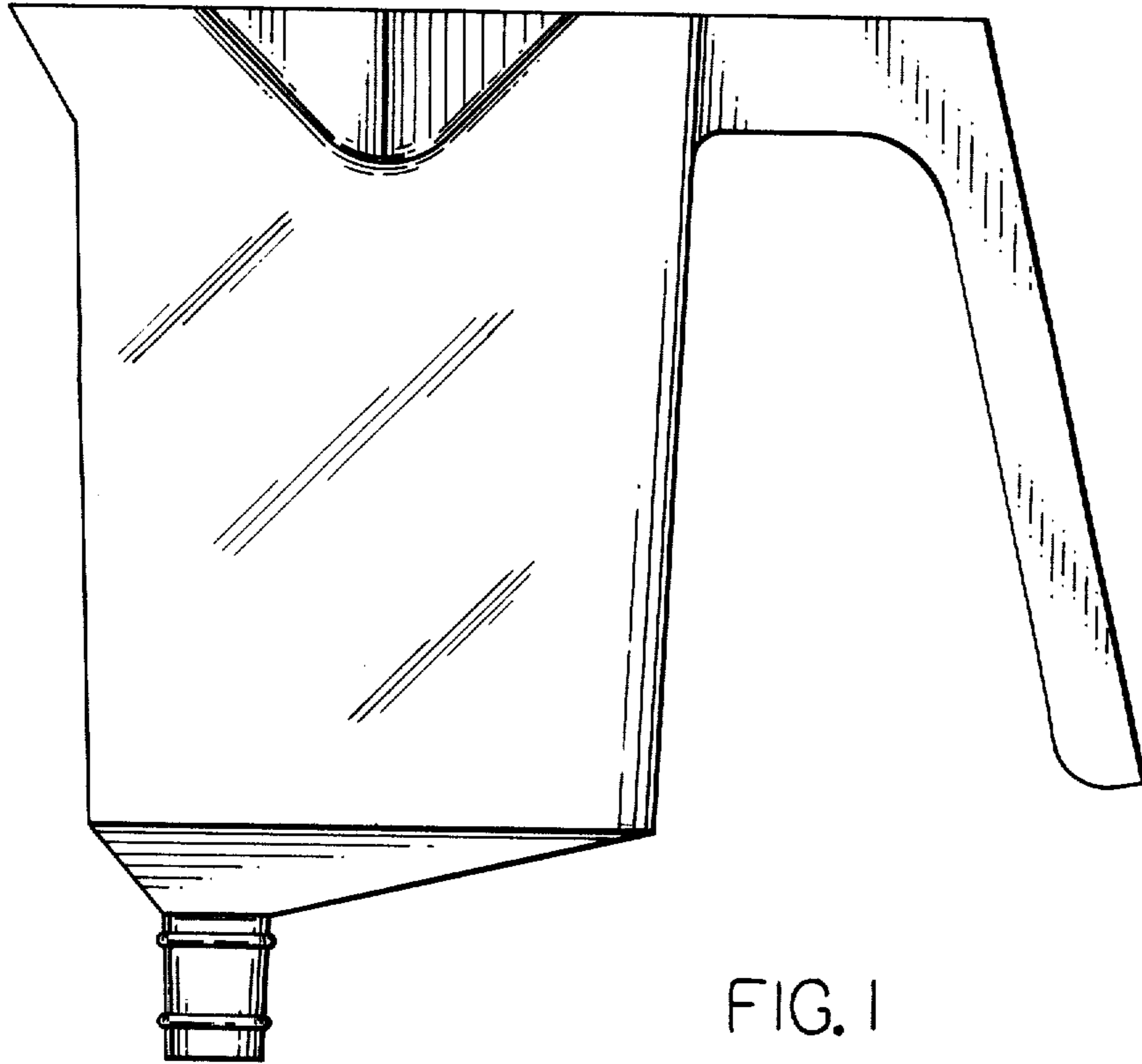


FIG. 1

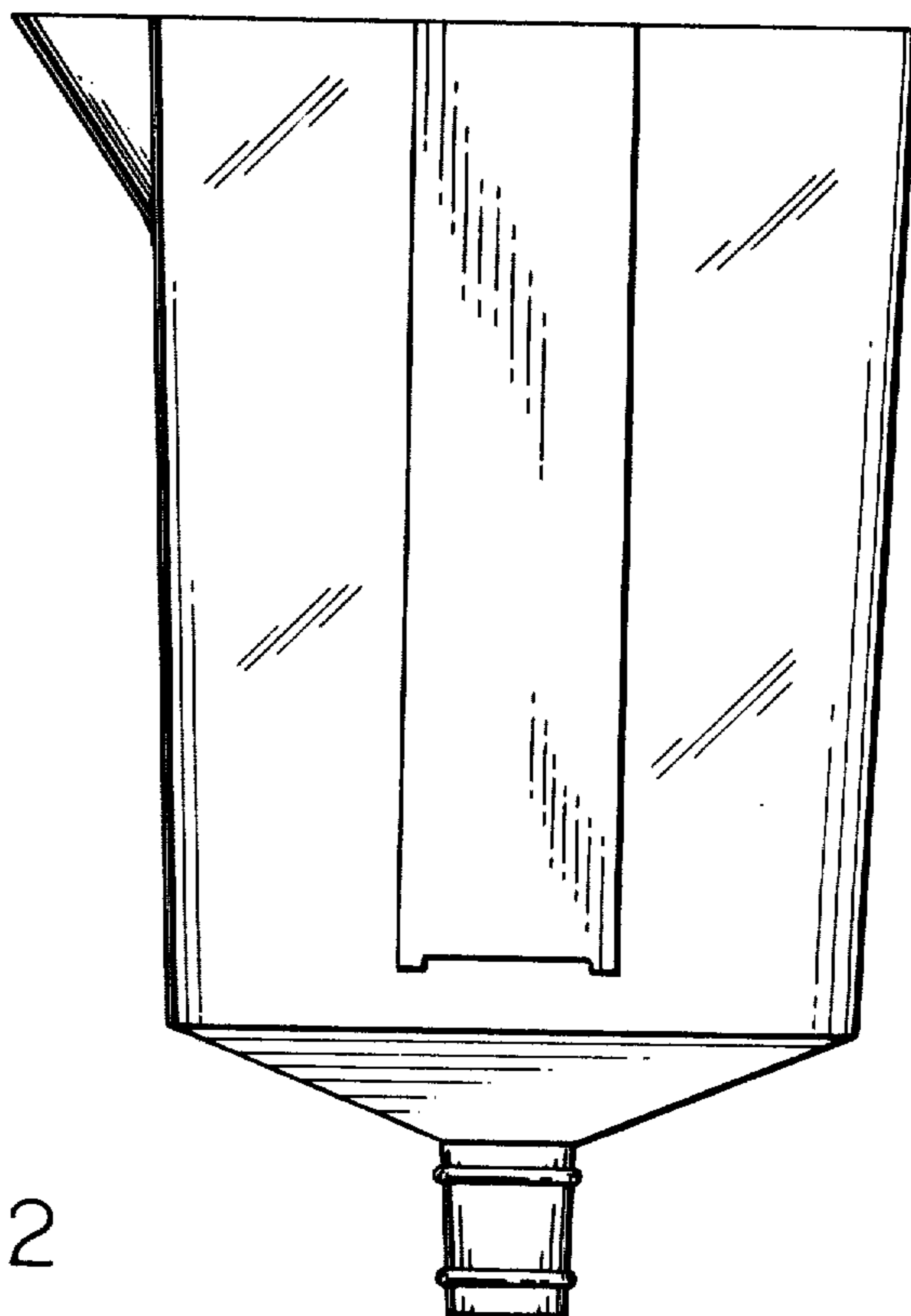


FIG. 2

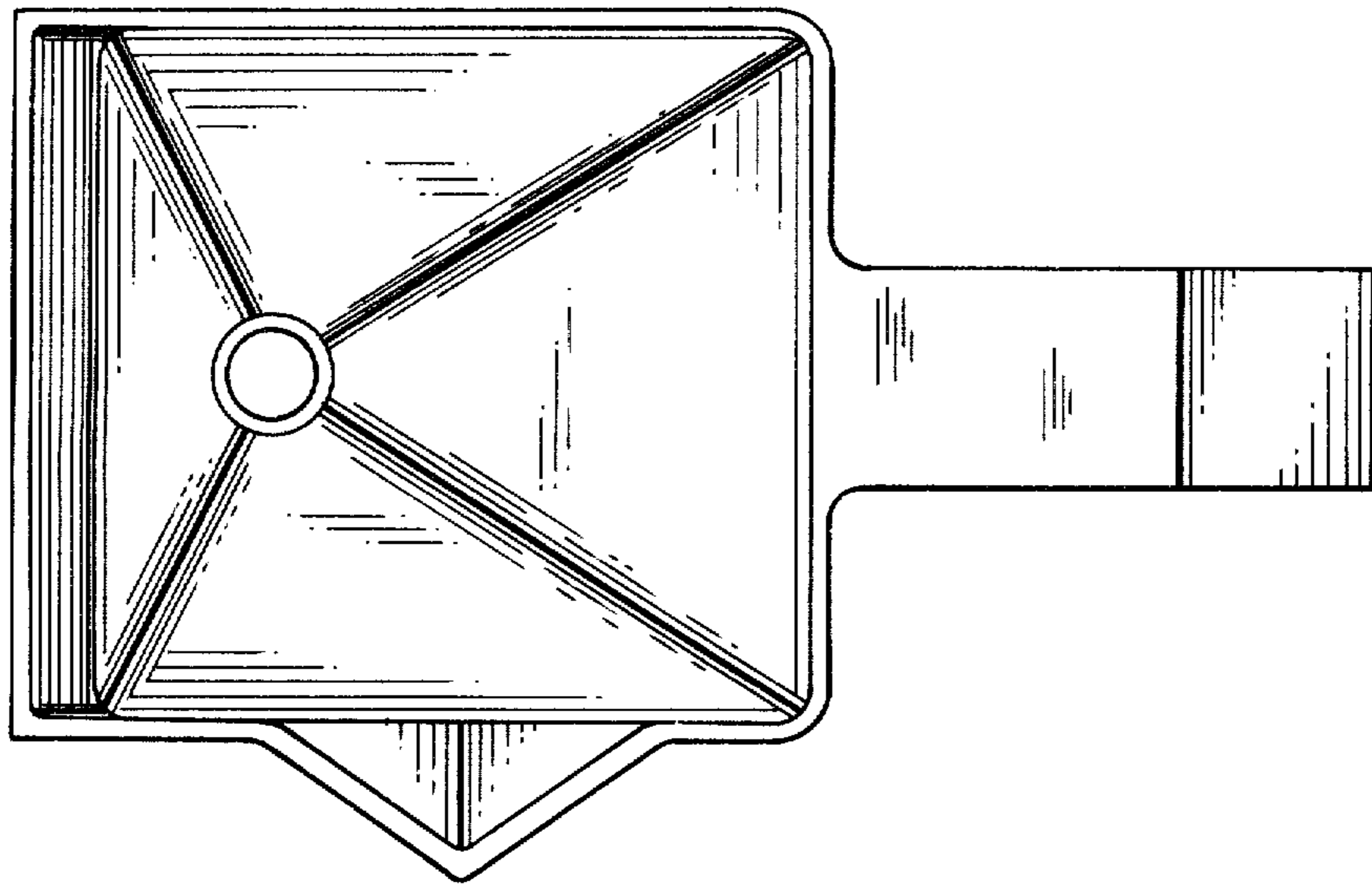


FIG. 3

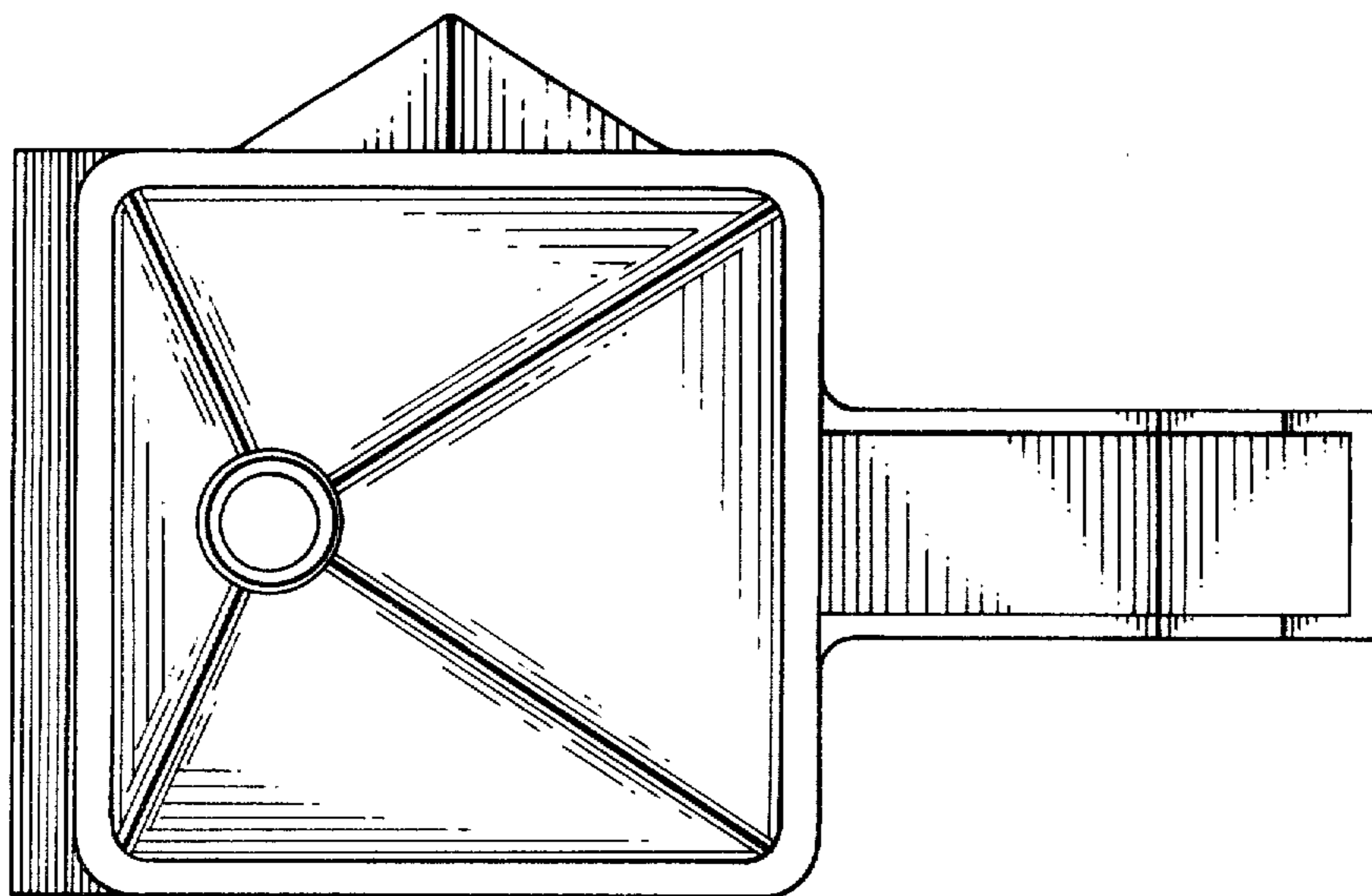


FIG. 4