

[54] SOAP HOLDER

[76] Inventor: Earl S. Figuered, 1147 Wanamaker Dr., #B, Covina, Calif. 91724

[**] Term: 14 Years

[21] Appl. No.: 165,606

[22] Filed: Jul. 3, 1980

[51] Int. Cl. D23-02; D8-08

[52] U.S. Cl. D6/90; D6/114; D8/352; D8/363; D8/373

[58] Field of Search D6/86, 89, 99, 90, 114, D6/125, 137; D8/373, 350-353, 363; 211/87, 88, 105.1, 105.2, 106; 206/77.1; 248/309R, 311.2, 312

[56] References Cited

U.S. PATENT DOCUMENTS

D. 61,027 6/1922 Benjamin D8/352

D. 111,997	11/1938	Sanford	D6/99
D. 132,123	4/1942	Anderson	D6/90
D. 154,336	6/1949	Sharits	D8/363
D. 214,633	7/1969	Schloffhauber	D6/90
D. 256,745	9/1980	Figuered	D6/90
4,073,462	2/1978	Whitaker	D6/90

Primary Examiner—B. J. Bullock

Attorney, Agent, or Firm—Christie, Parker & Hale

[57] CLAIM

The ornamental design for a soap holder, as substantially shown and described.

DESCRIPTION

FIG. 1 is a perspective view of a soap holder showing my new design, the rear being plain and unornamented and the bar of soap being shown in broken lines for illustrative purposes only;

FIG. 2 is a perspective view of a second embodiment of the design of FIG. 1, the rear being plain and unornamented.

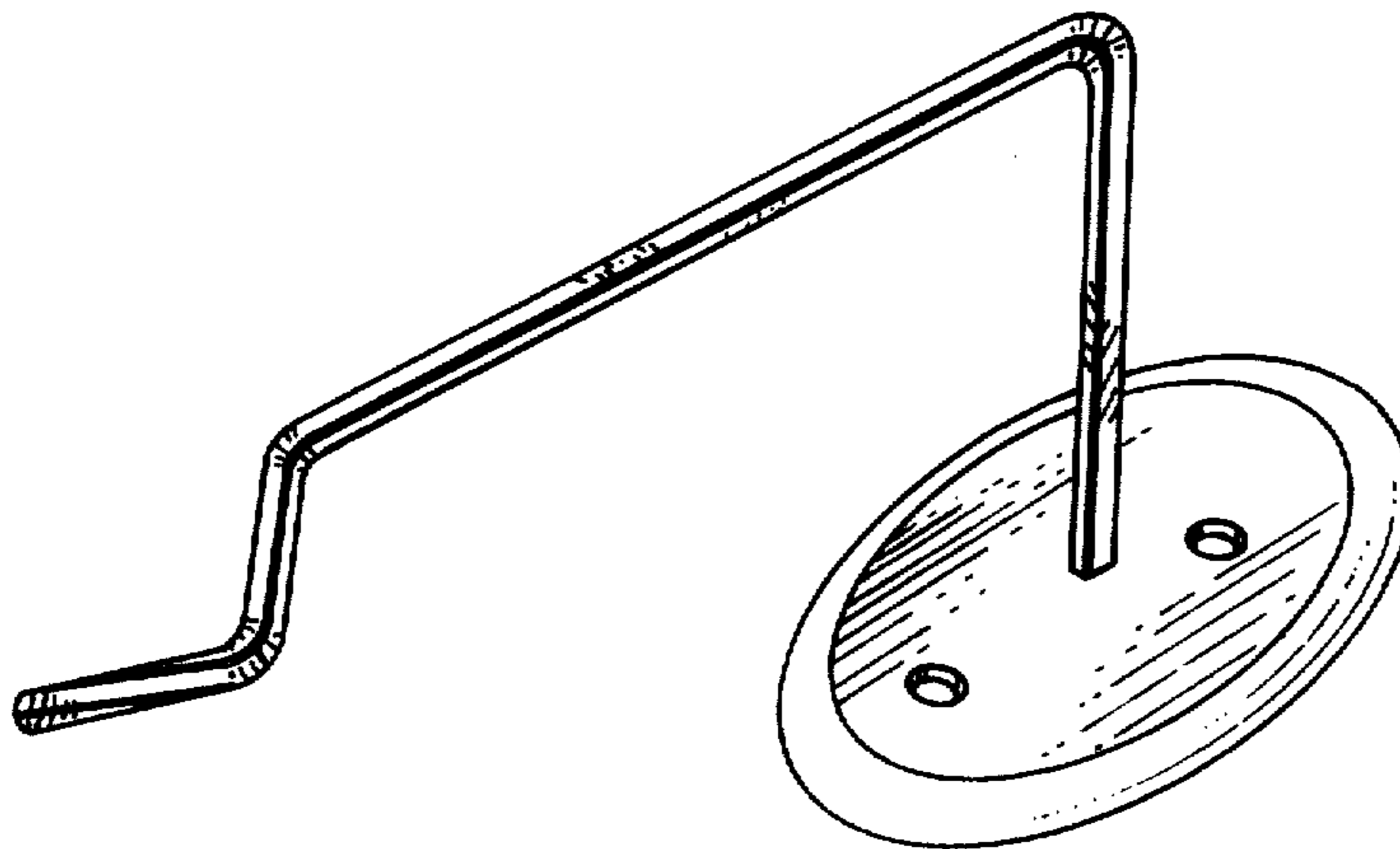


Fig. 1

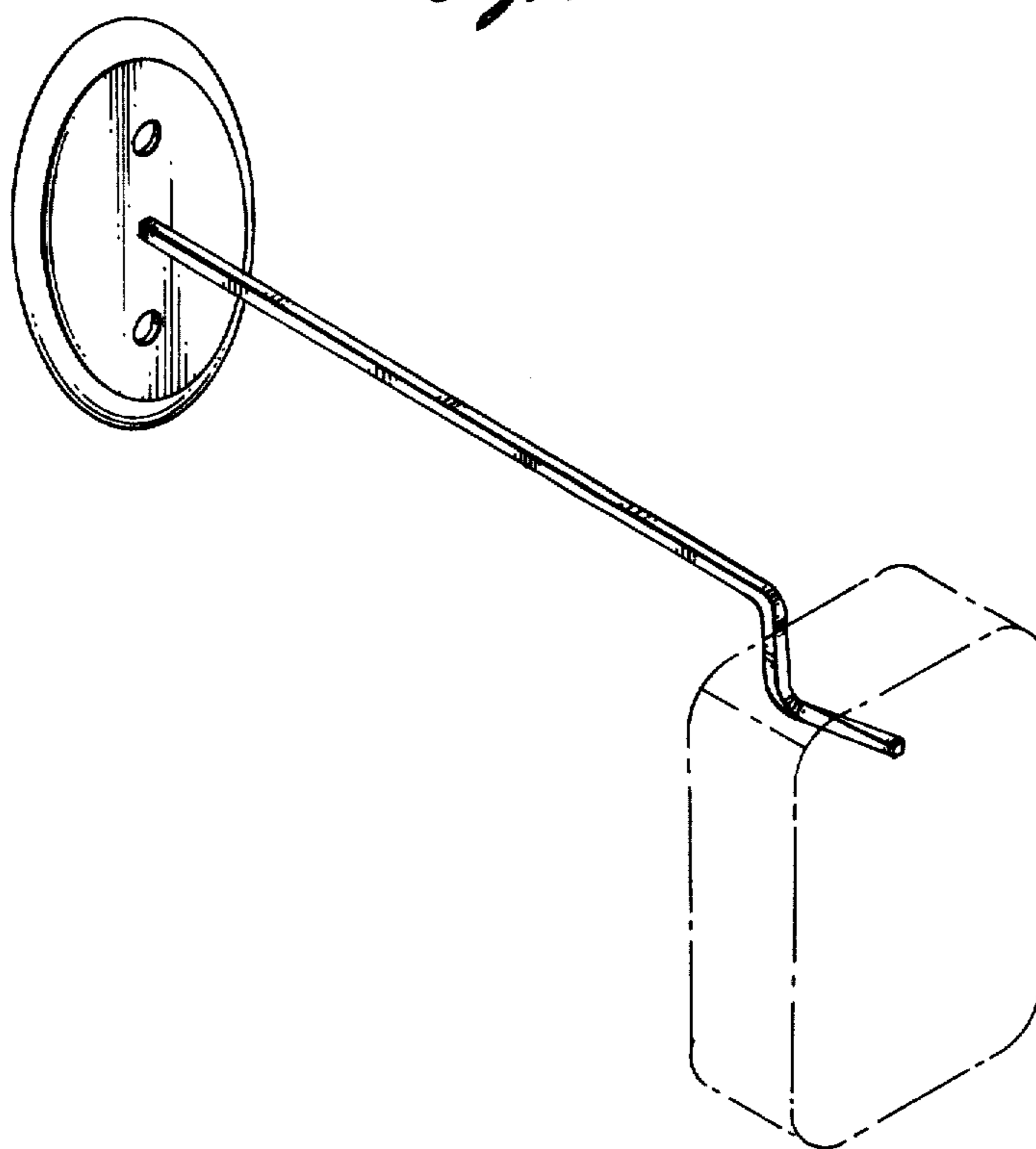


Fig. 2

