

[54] DISH AND GLASS-RACK

[76] Inventor: Kurt Krusche, Nansenring 22, 6000 Frankfurt, Fed. Rep. of Germany

[**] Term: 14 Years

[21] Appl. No.: 146,437

[22] Filed: May 5, 1980

[30] Foreign Application Priority Data
Nov. 5, 1979 [DE] Fed. Rep. of Germany ... 73MR8835

[51] Int. Cl. D7-05
[52] U.S. Cl. D32/55
[58] Field of Search D32/55; 211/13, 41, 211/189, 195, 200

[56]

References Cited

U.S. PATENT DOCUMENTS

D. 258,928 4/1981 Buchsteiner D32/55
D. 259,537 6/1981 Taylor D32/55

Primary Examiner—Catherine E. Kemper
Attorney, Agent, or Firm—Fidelman, Wolfe & Waldron

[57]

CLAIM

The ornamental design for a dish and glass-rack, substantially as shown and described.

DESCRIPTION

FIG. 1 is a perspective view of a dish and glass rack, showing my new design and shown in the open position;
FIG. 2 is a side view thereof in the open position,
FIG. 3 is a front view thereof in the open position,
FIG. 4 is a top view thereof in the open position,
FIG. 5 is a bottom view thereof in the open position,
FIG. 6 is a top view of the inner frame,
FIG. 7 is a side view thereof in the folded position, and
FIG. 8 is a partial side view partially in section.

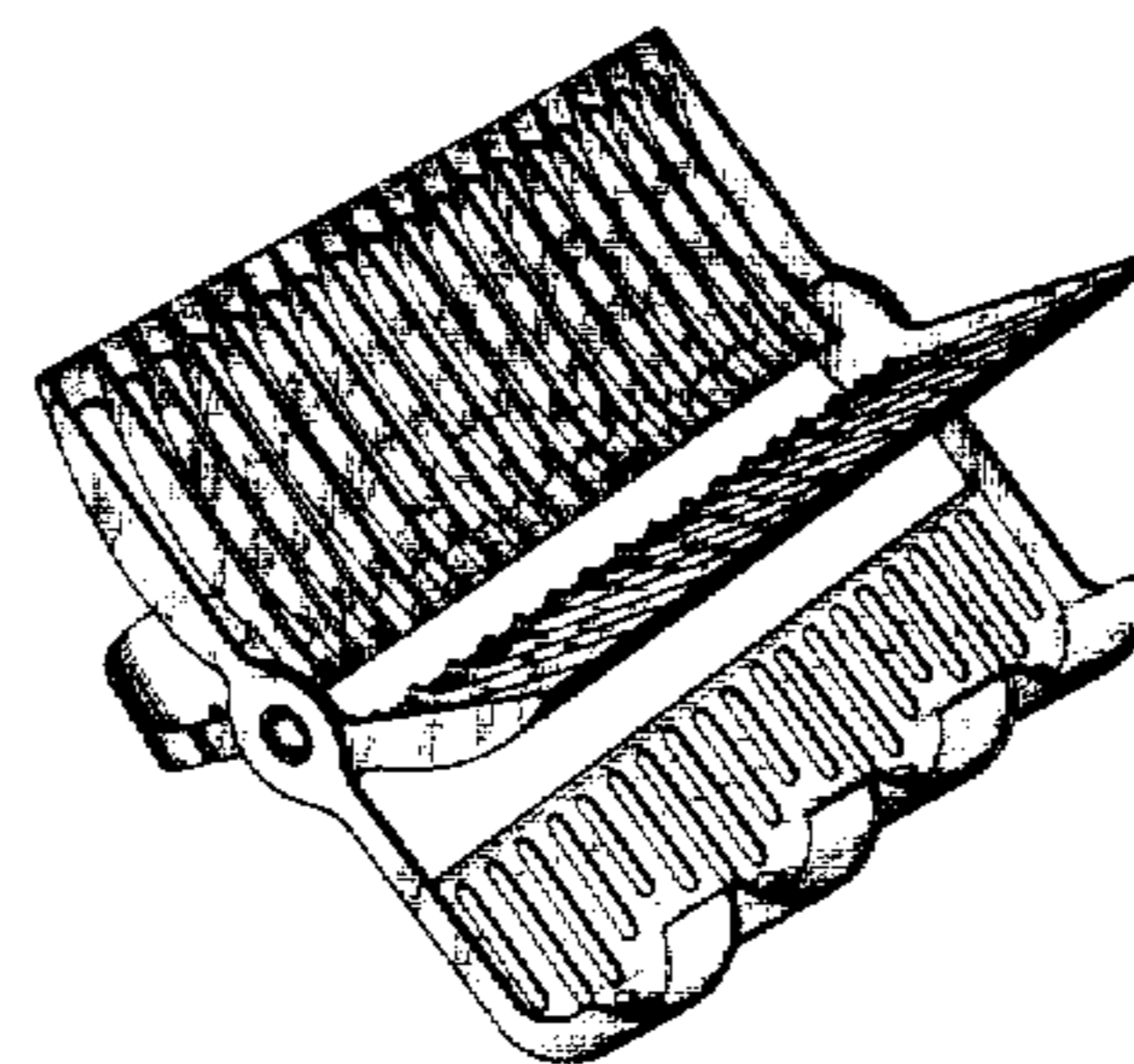


Fig. 1

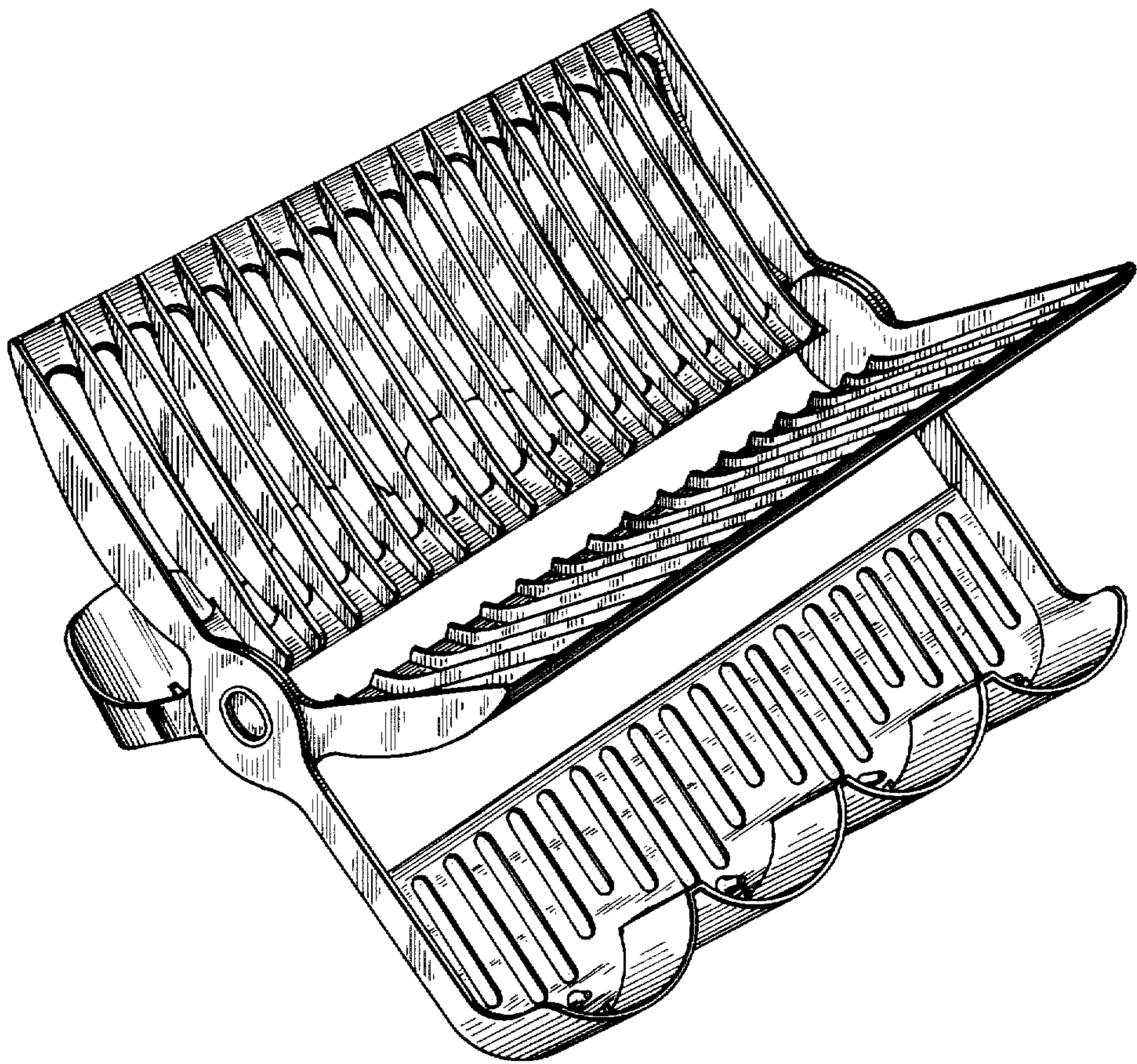


Fig. 8

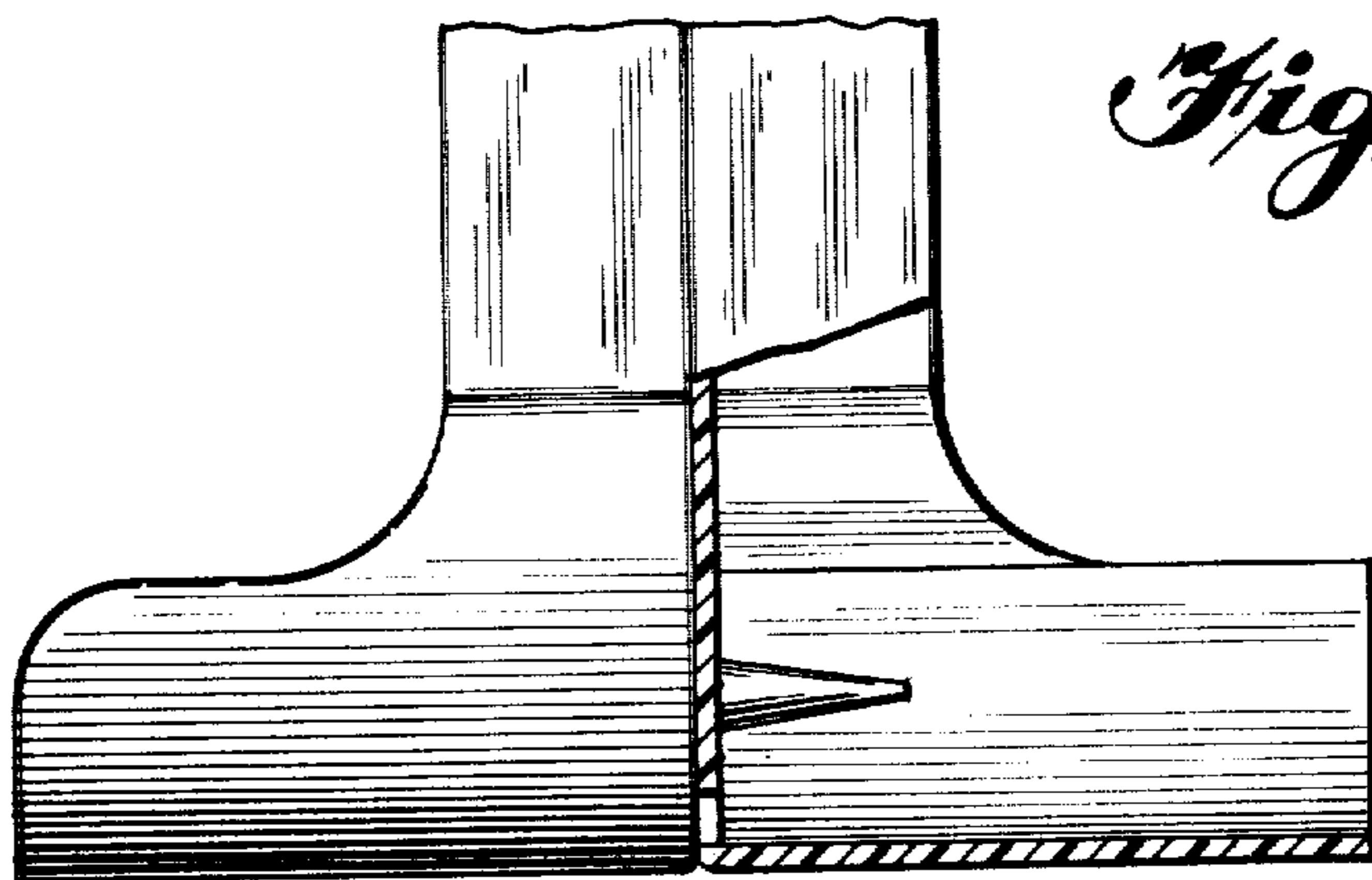


Fig. 2

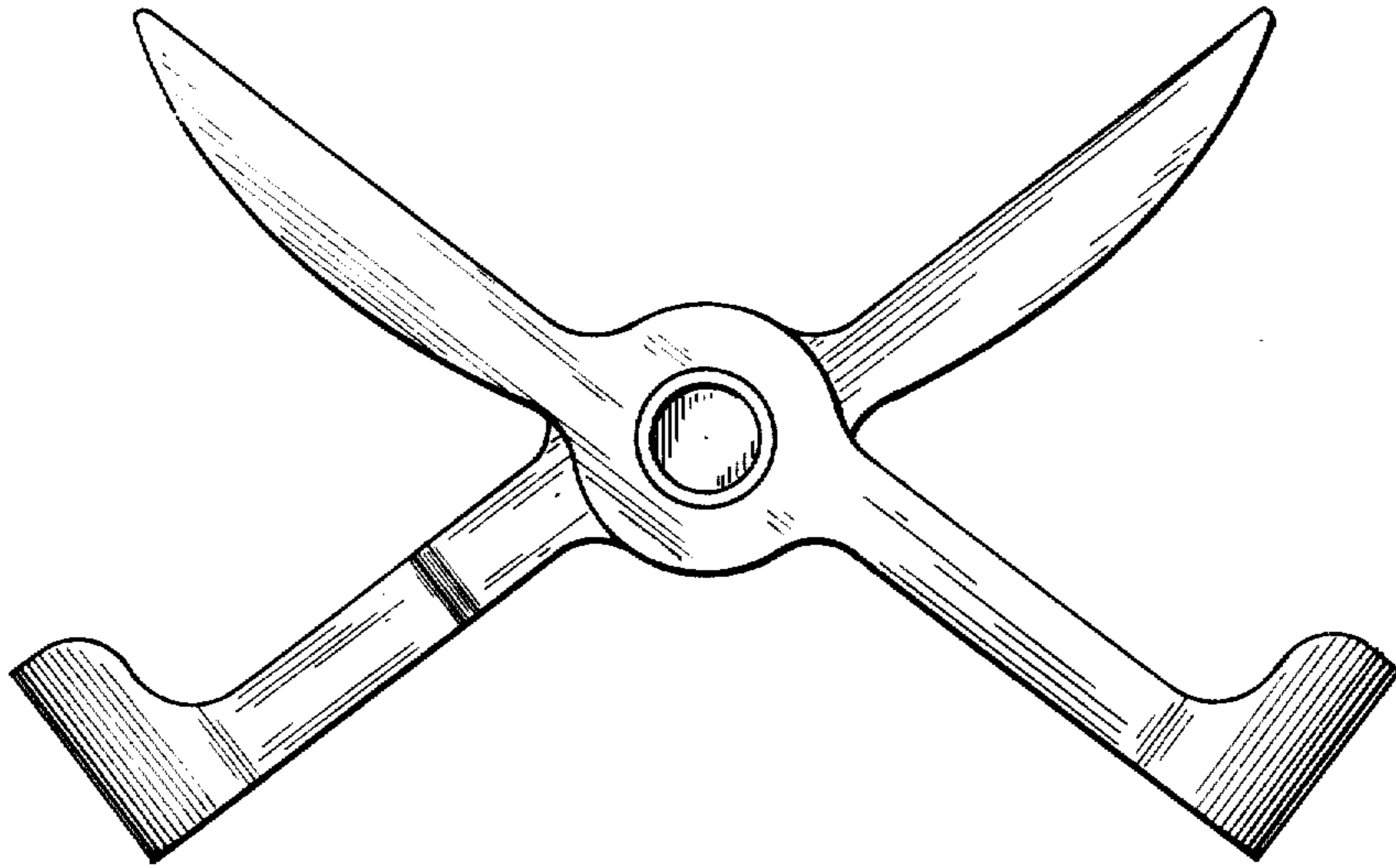
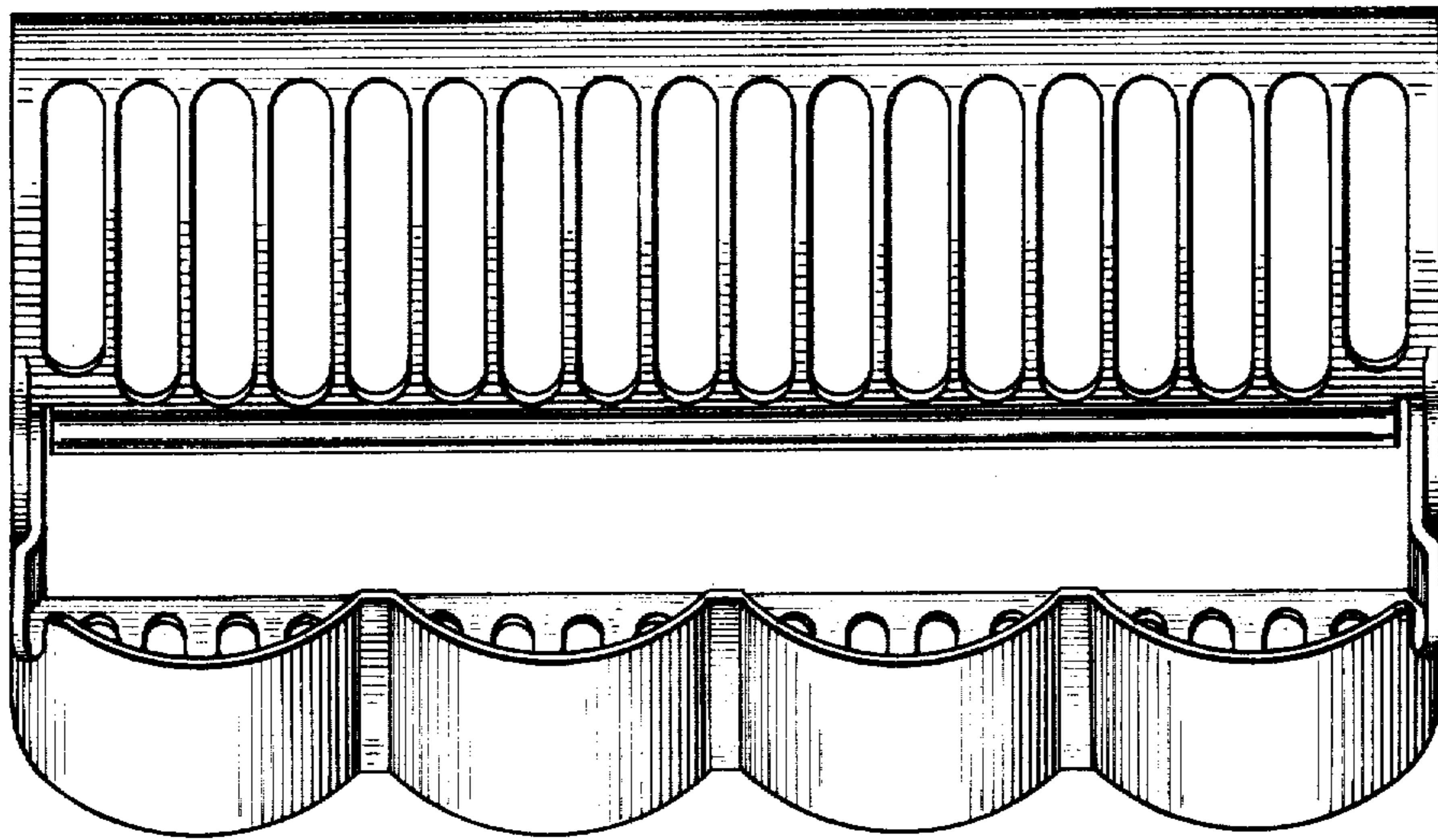


Fig. 3



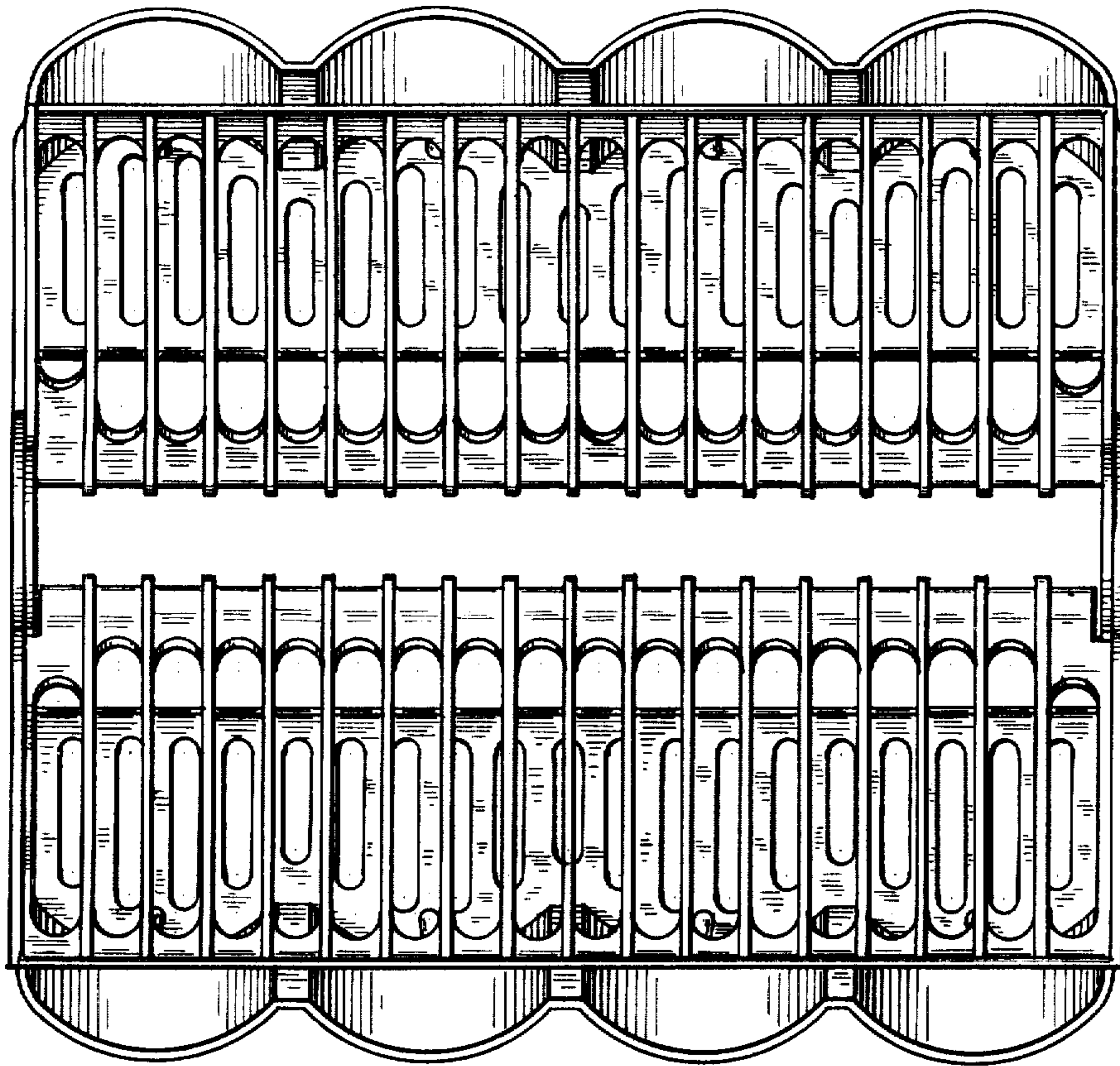


Fig. 4

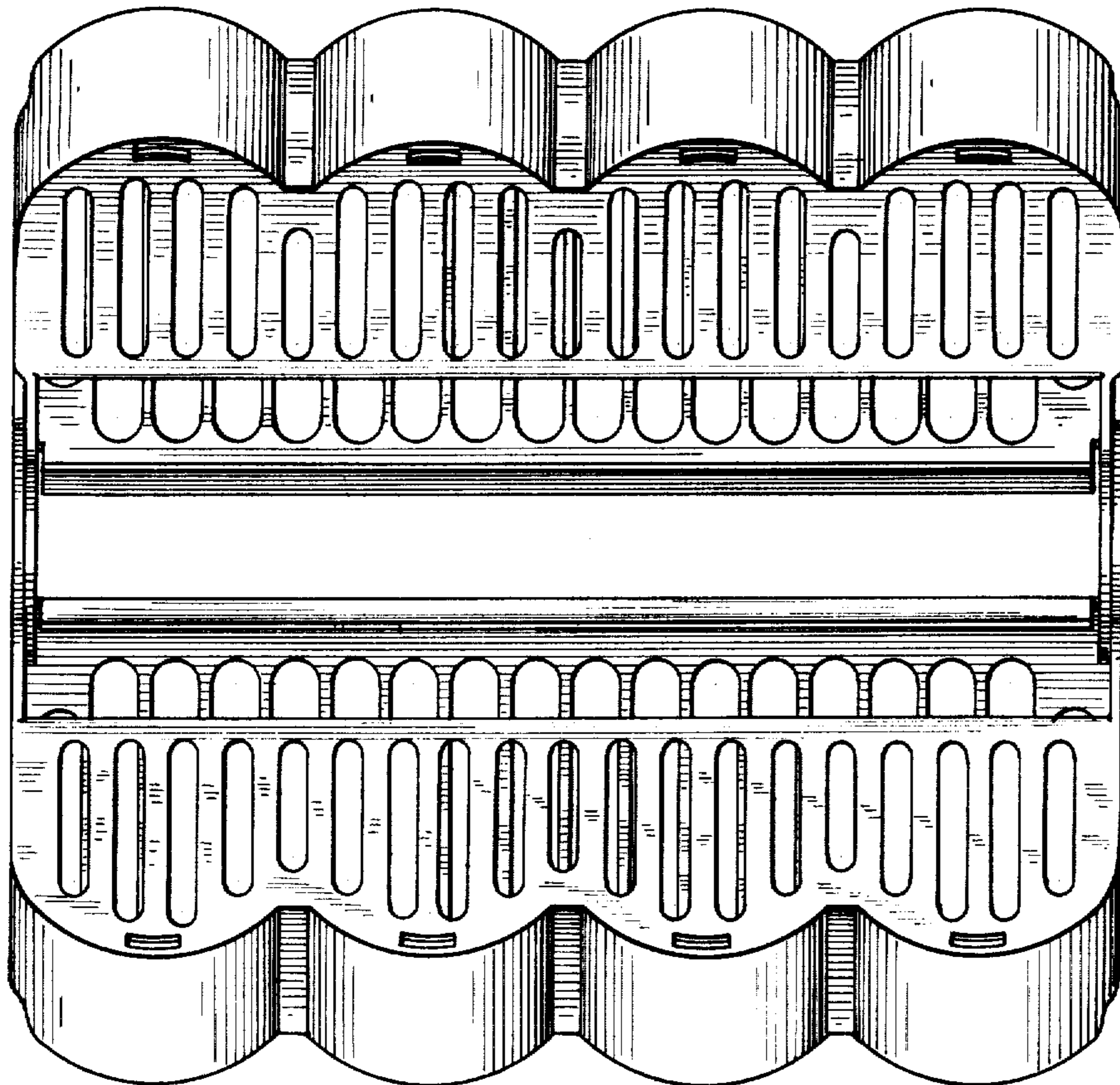


Fig. 5

Fig. 6

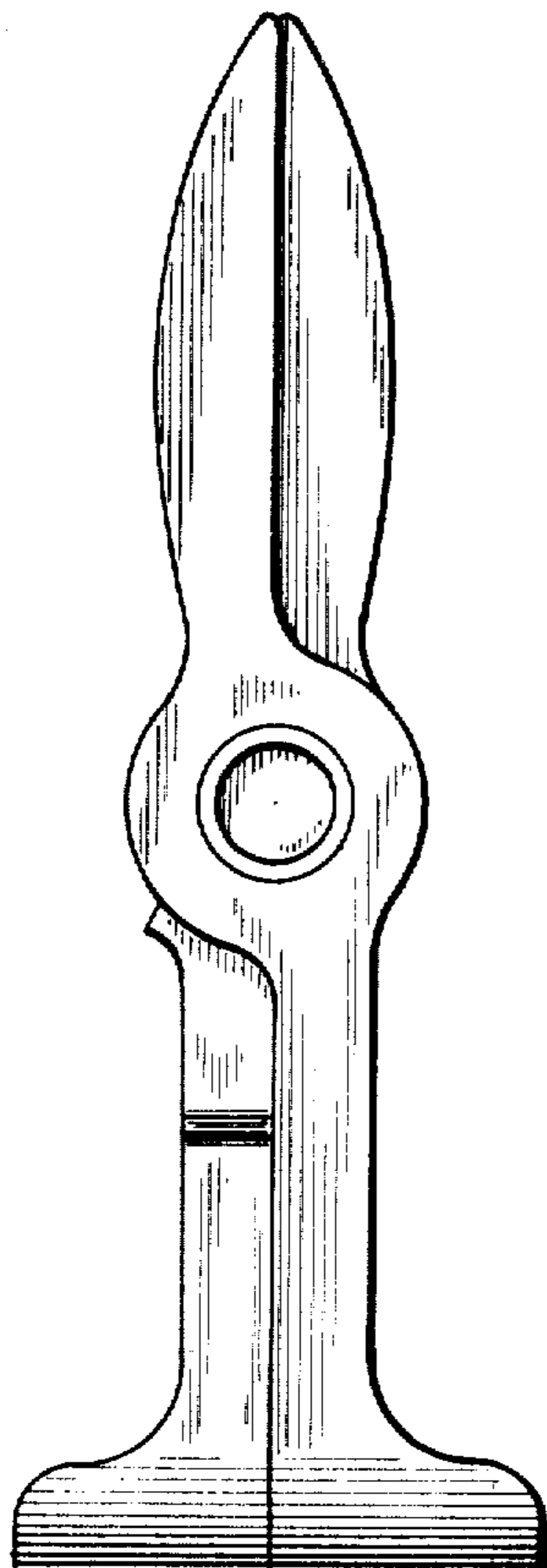
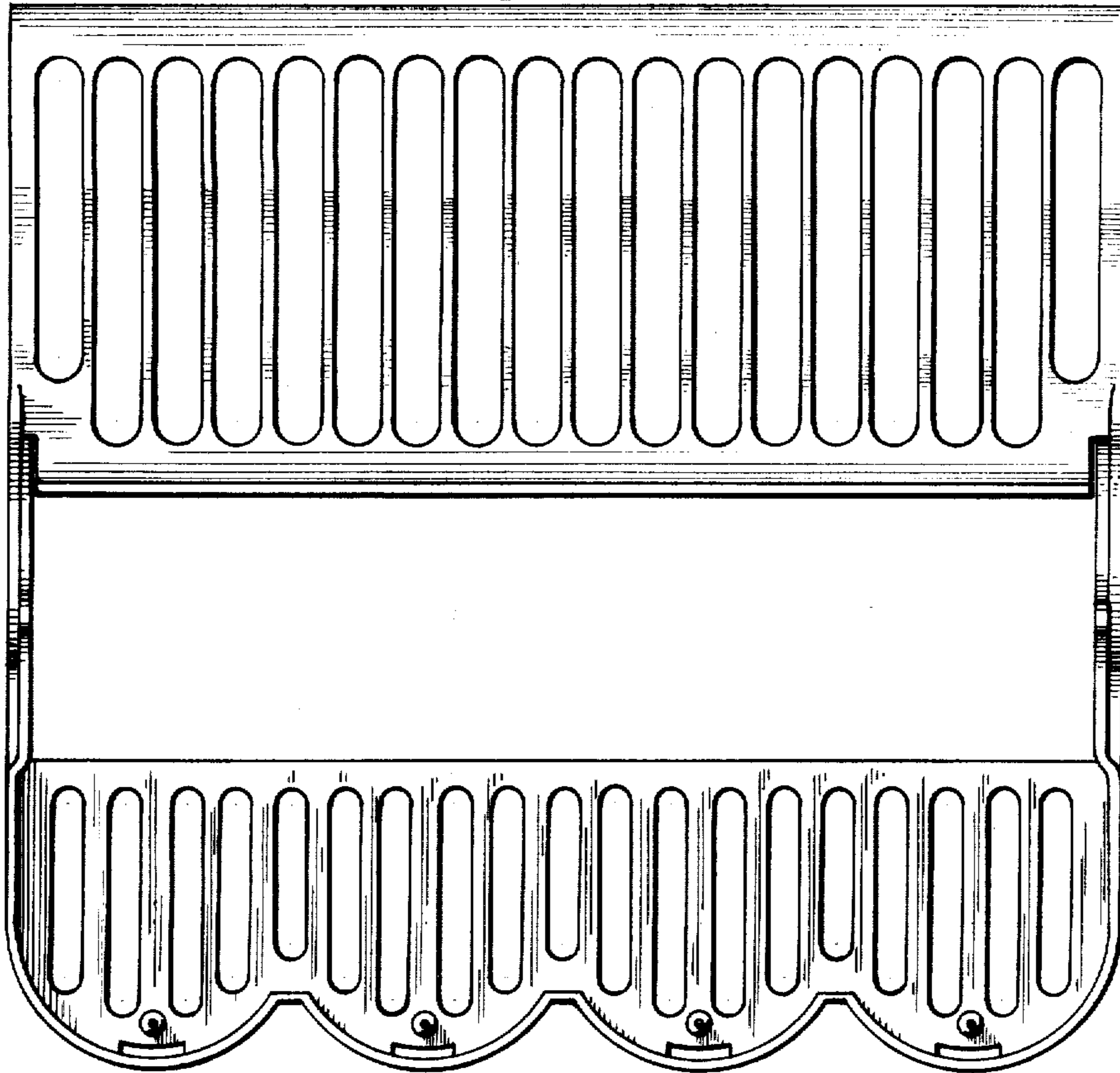


Fig. 7