

[54] FLOOD LIGHT HOUSING

[75] Inventors: **Viggo B. Rambusch**, New York, N.Y.; **Peter B. White**, Montclair, N.J.

[73] Assignee: **Rambusch Decorating Company**, New York, N.Y.

[**] Term: **14 Years**

[21] Appl. No.: **227,488**

[22] Filed: **Jan. 22, 1981**

[51] Int. Cl. **D26-03**

[52] U.S. Cl. **D26/72; D26/24**

[58] Field of Search **D26/24, 72, 74, 76, D26/75, 78, 80-92; 362/432, 363, 311, 296, 297, 362, 217, 220, 223**

[56] **References Cited**
PUBLICATIONS

Crouse-Hinds Lighting Idea Book, p. 3, Lighting Fixture #WML-G1.
Electrical Consultant, Nov./Dec. 1979, p. 56, Wall Mounted Unit (Voight Lighting Indus.).

Stonco Lighting/Keene Corp. User Price Catalog, 6-1972, p. 54, Wall Lamp #542-250 MM.

Sylvania Electric Fluorescent Fixtures Catalog, 1950, p. 53, "The Beverly", Fluorescent Wall Fixture #RW-220.

Primary Examiner—Susan J. Lucas

Attorney, Agent, or Firm—Fisher, Christen & Sabol

[57] **CLAIM**

The ornamental design for a flood light housing, as shown and described.

DESCRIPTION

FIG. 1 is a front, left side perspective view of a flood light housing showing our new design;

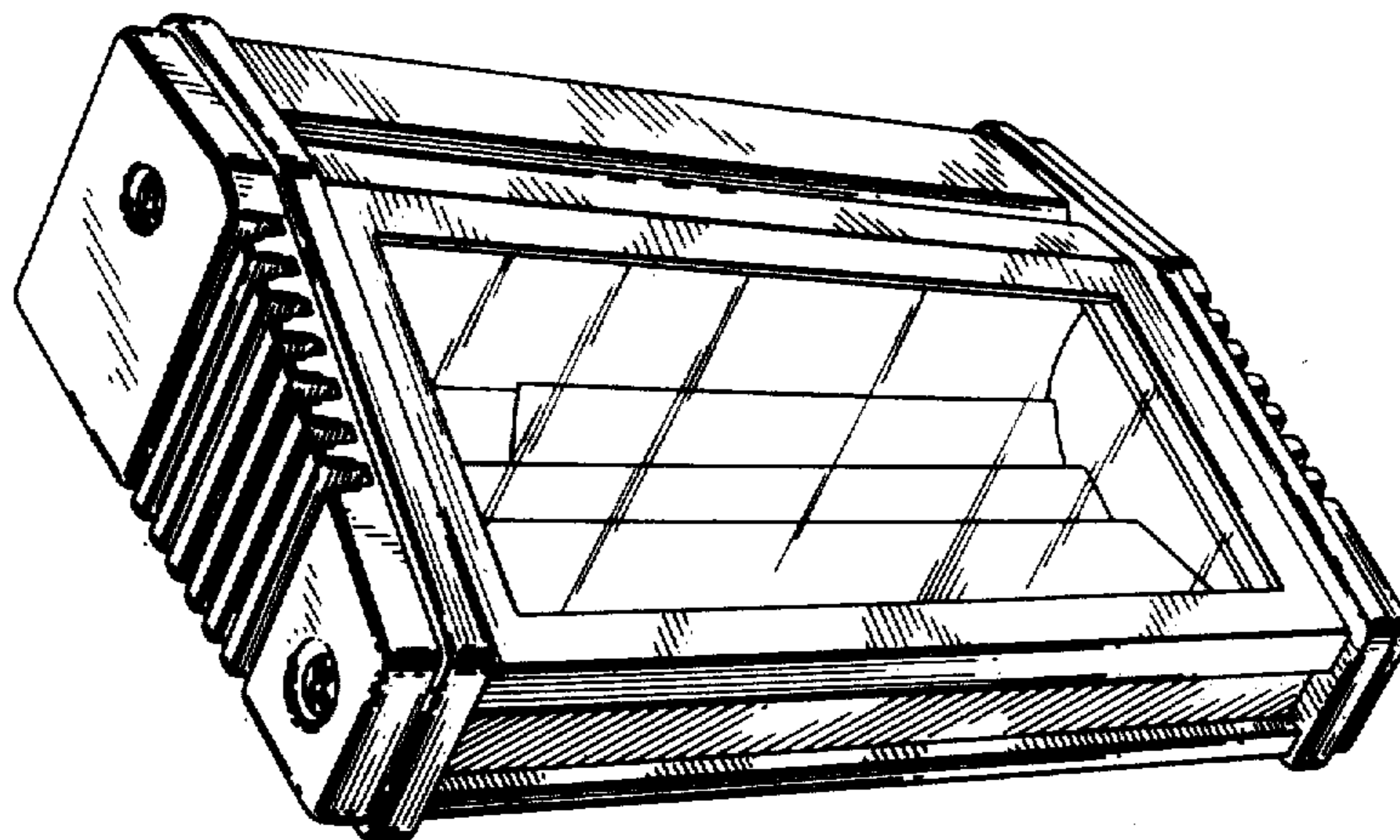
FIG. 2 is a right side elevational view thereof on an enlarged scale;

FIG. 3 is a front elevational view thereof on an enlarged scale;

FIG. 4 is a rear elevational view thereof on an enlarged scale;

FIG. 5 is a top plan view thereof on an enlarged scale; and

FIG. 6 is a bottom plan view thereof on an enlarged scale.



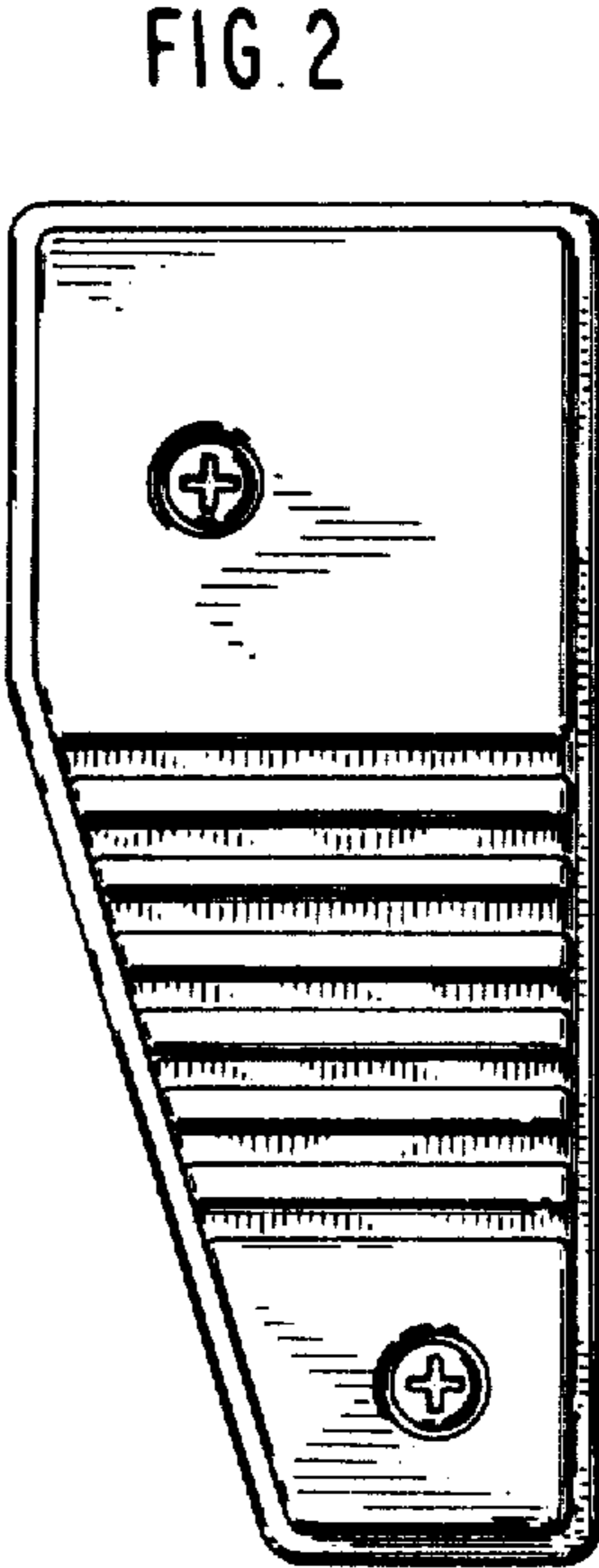
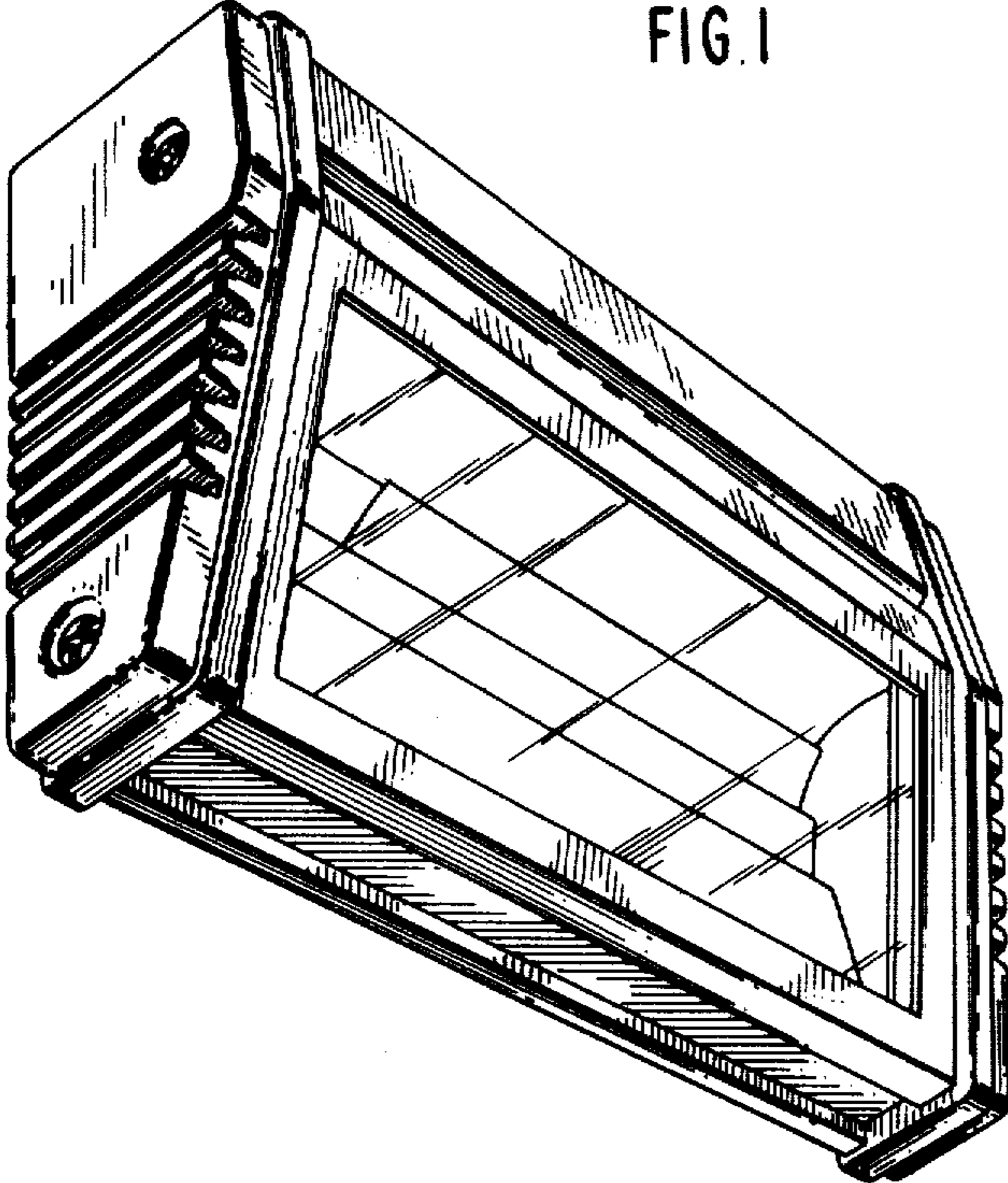


FIG. 3

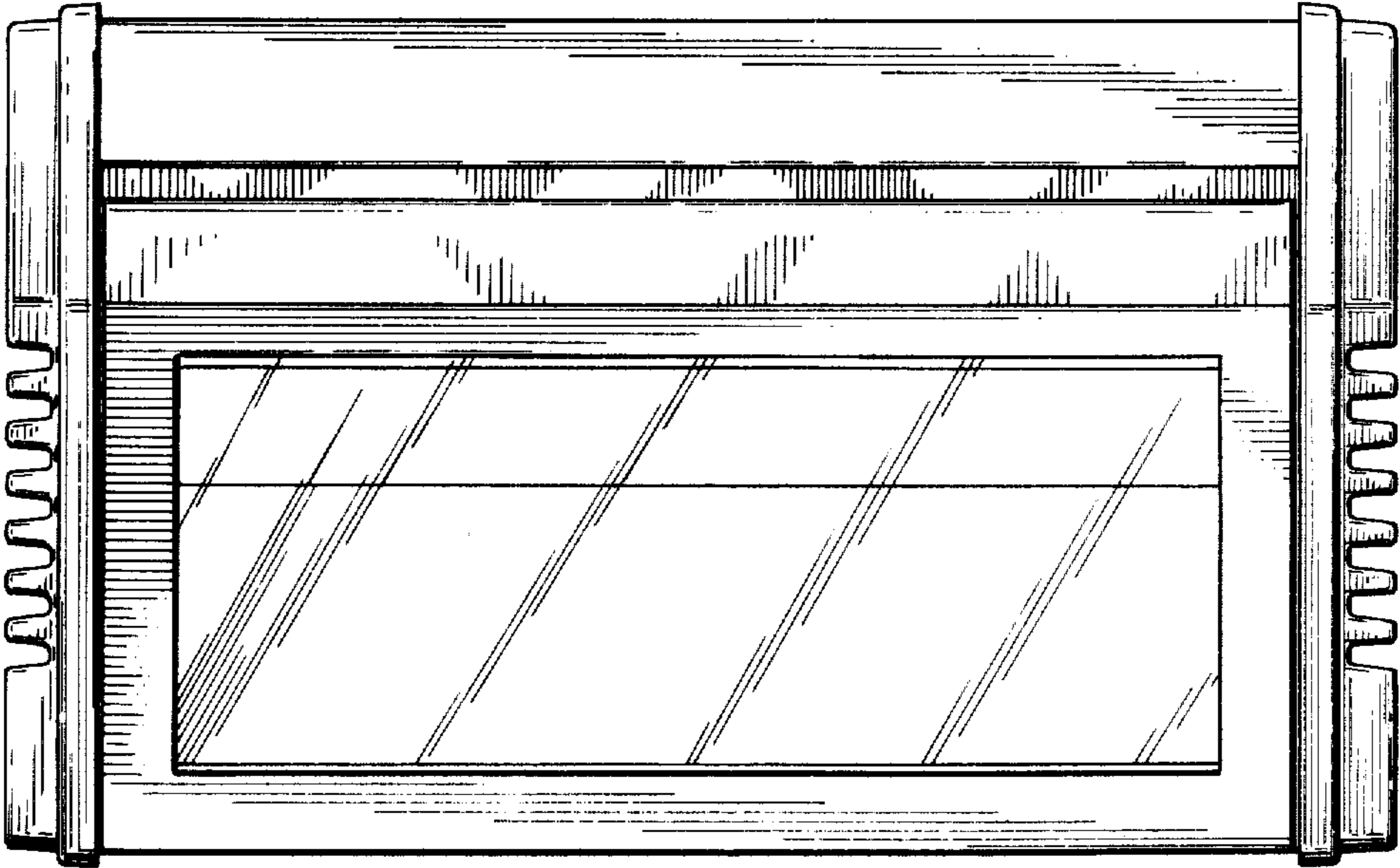


FIG. 4

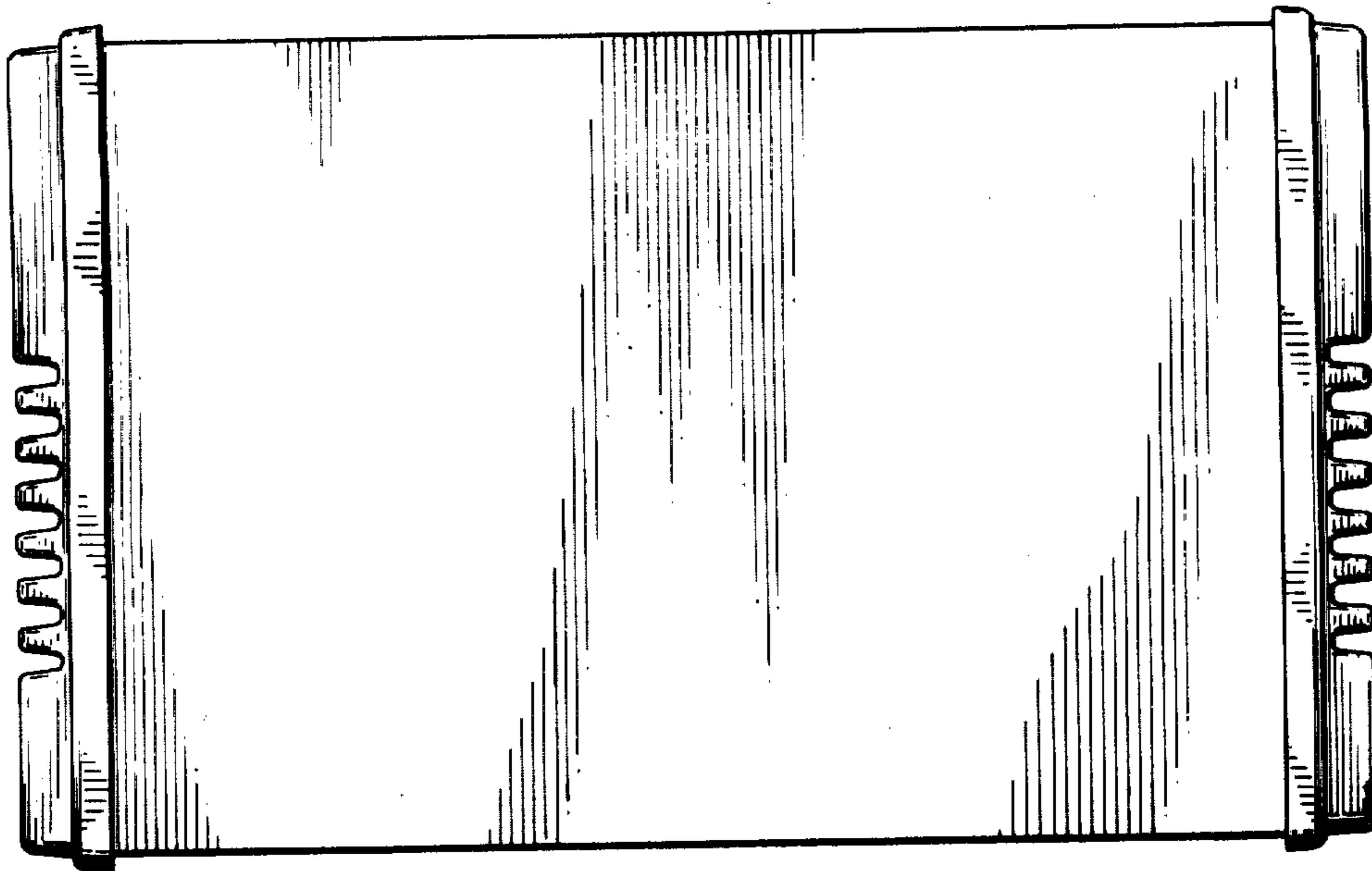


FIG. 5

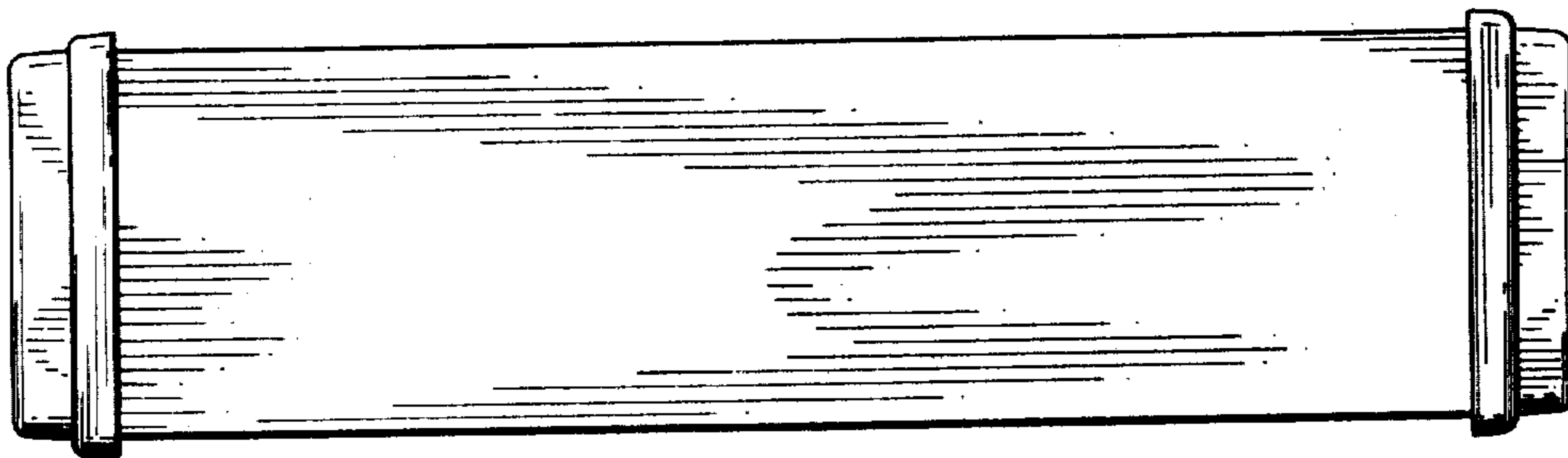


FIG. 6

