

[54] INVALID TURNTABLE

[76] Inventors: Leslie J. Weigel; Geraldine A. Weigel; Mary L. Foertmeyer, all c/o The Manual Arts Furniture Co. 3472-86 Beekman St., Cincinnati, Ohio 45223

[**] Term: 14 Years

[21] Appl. No.: 161,671

[22] Filed: Jun. 23, 1980

[51] Int. Cl. D24-02

[52] U.S. Cl. D24/99; D6/85; D21/193; D7/2

[58] Field of Search D6/184, 185, 85; D7/2; D21/193; 272/146

[56] References Cited

U.S. PATENT DOCUMENTS

- D. 193,010 6/1962 Krauss D21/193
- D. 223,113 3/1972 King D21/193
- D. 224,825 9/1972 Jenkins D6/146
- 568,380 9/1896 Theiring 272/146 X

- 2,256,001 9/1941 Titus 272/146
- 3,100,639 8/1963 Bonewitz D21/193 X
- 3,454,273 7/1969 Vogt 272/146
- 3,593,994 7/1971 Anbar 272/146

OTHER PUBLICATIONS

Yield House, ©1971, p. 25, TV Susan, Swivel for T.V.

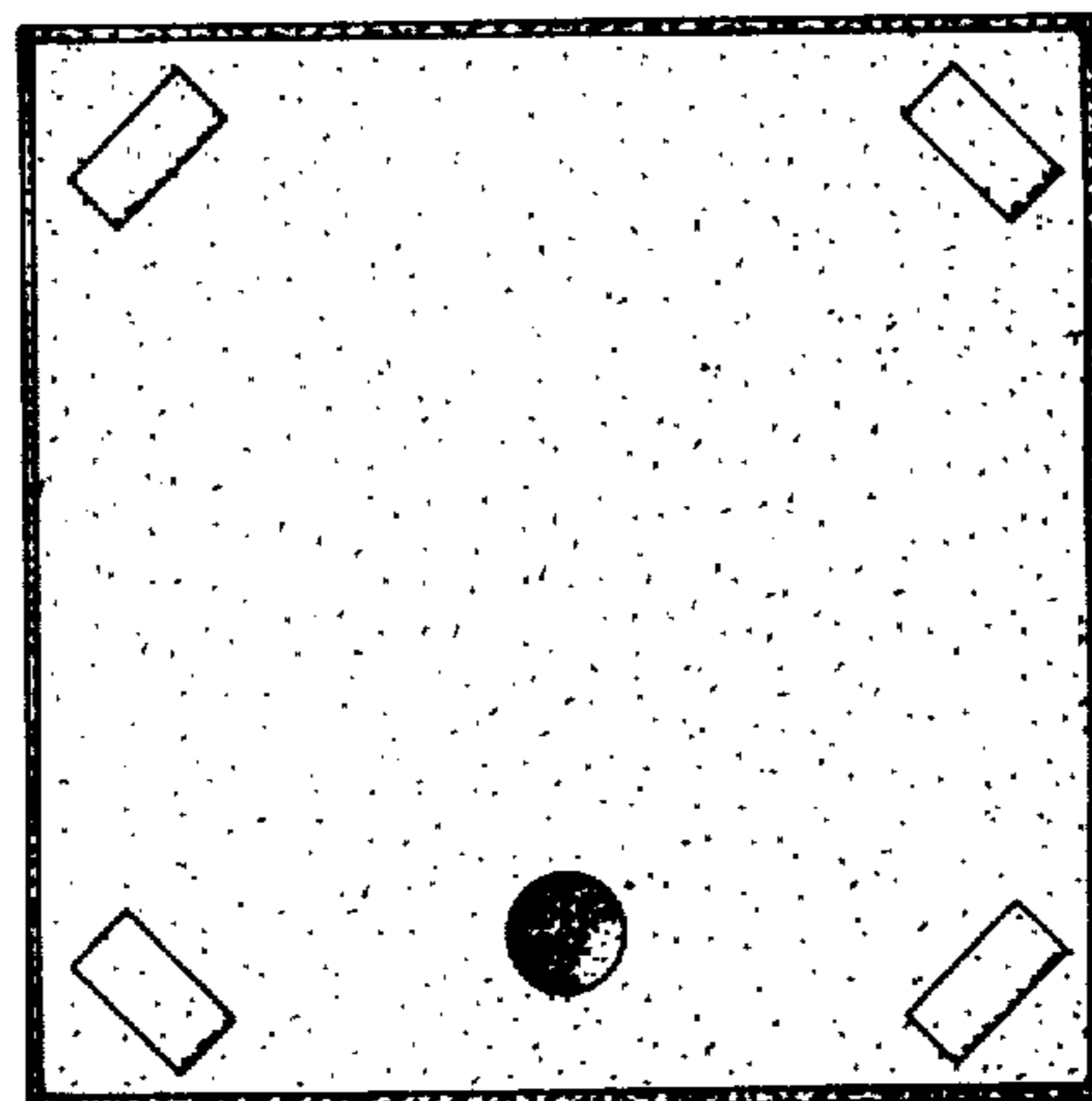
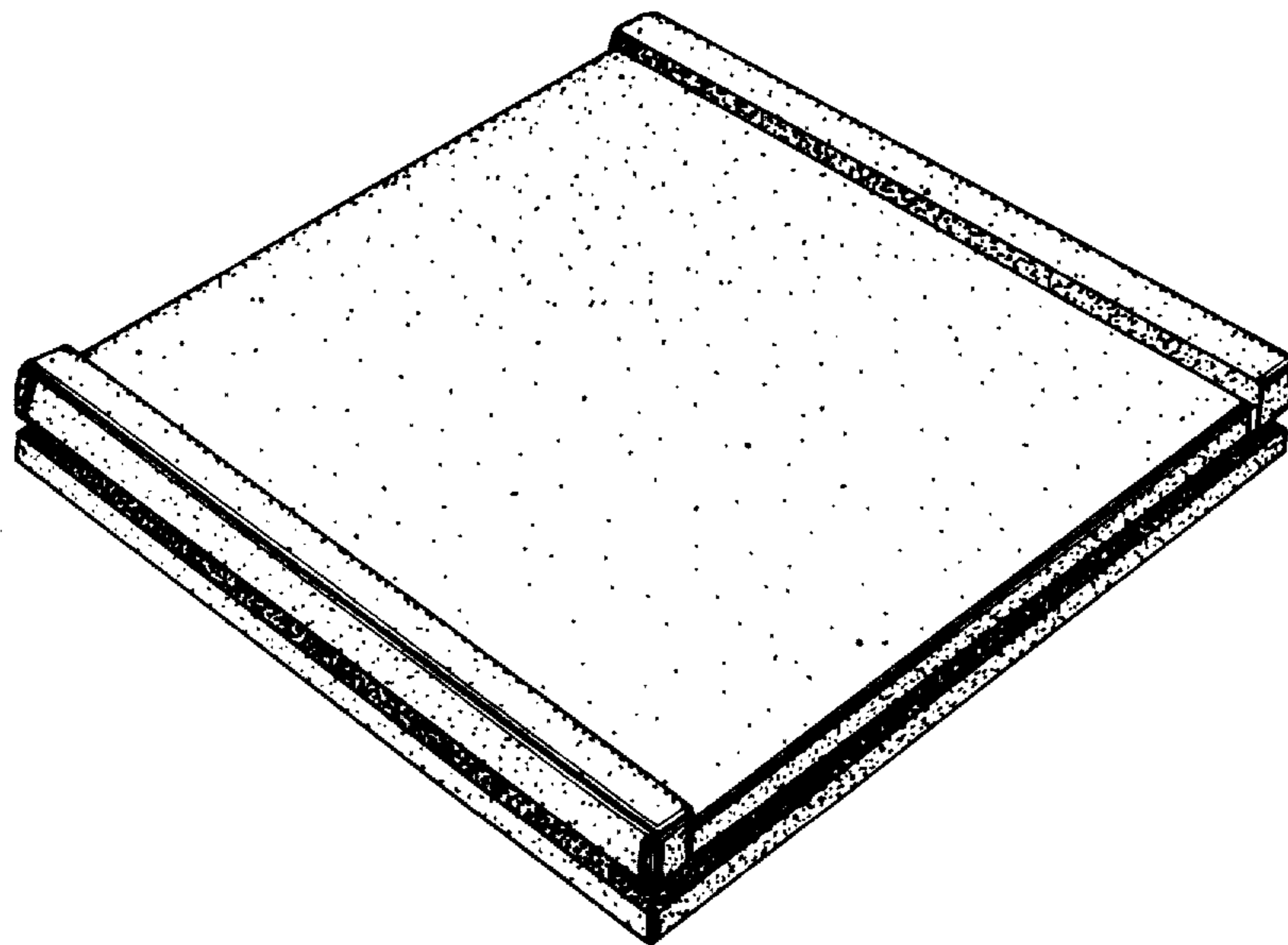
Primary Examiner—Bernard Ansher
Attorney, Agent, or Firm—Frost & Jacobs

[57] CLAIM

The ornamental design for an invalid turntable, as shown.

DESCRIPTION

FIG. 1 is a perspective view of the invalid turntable showing our new design;
FIG. 2 is a plan view;
FIG. 3 is a plan view with the platform partially rotated on its base;
FIG. 4 is a side elevational view;
FIG. 5 is an end elevational view; and
FIG. 6 is a bottom view.



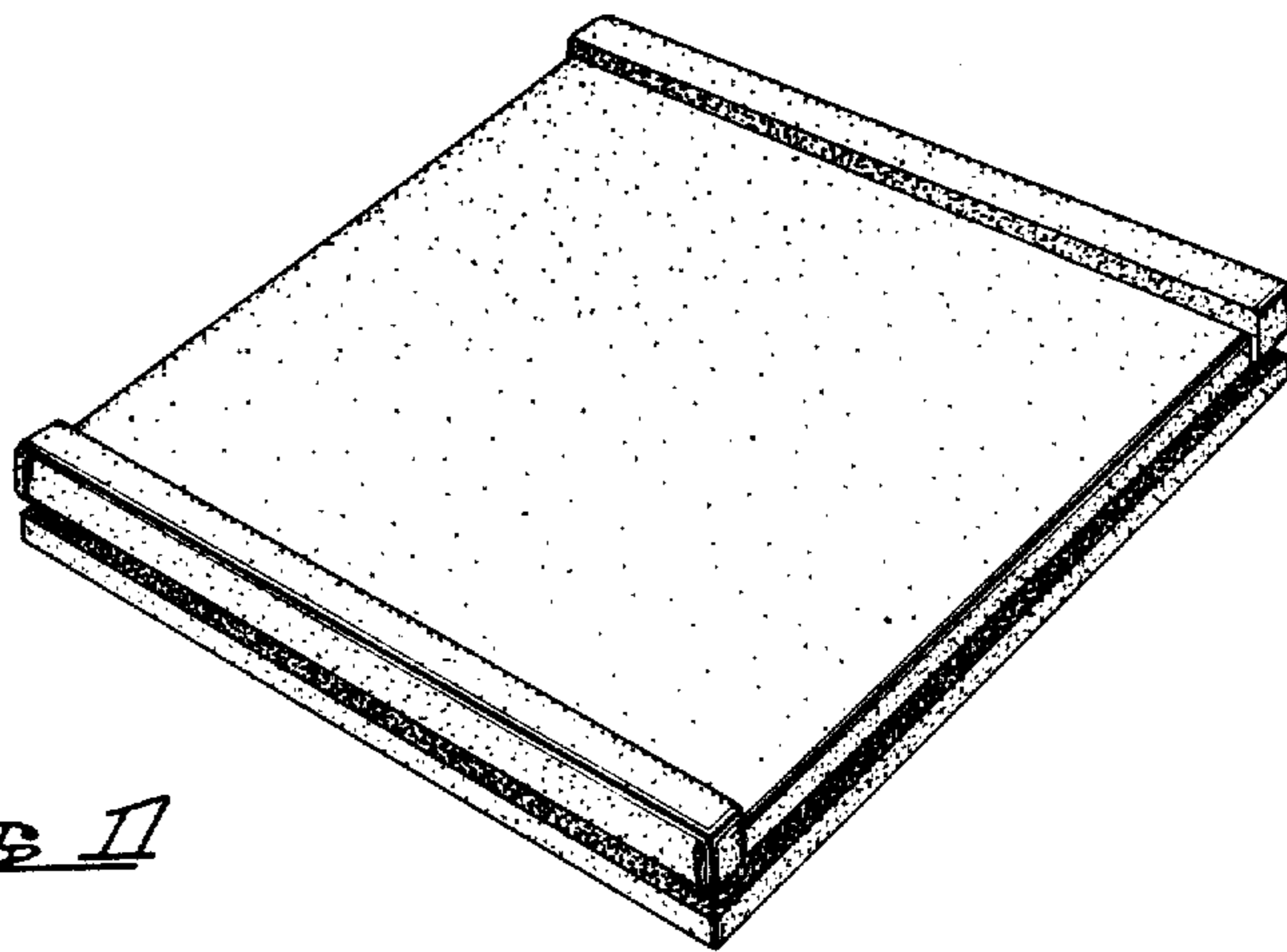


FIG 1

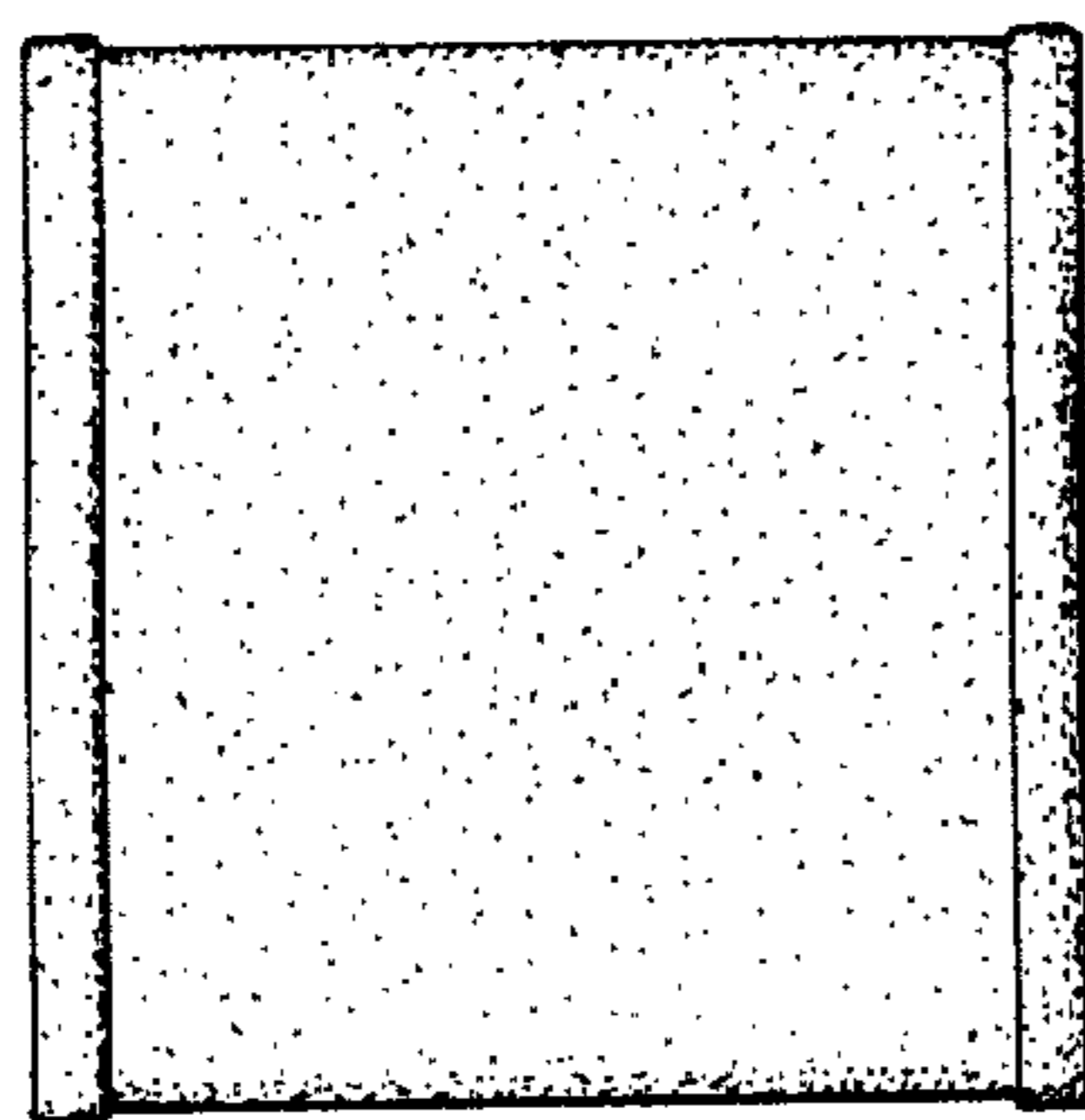


FIG 2

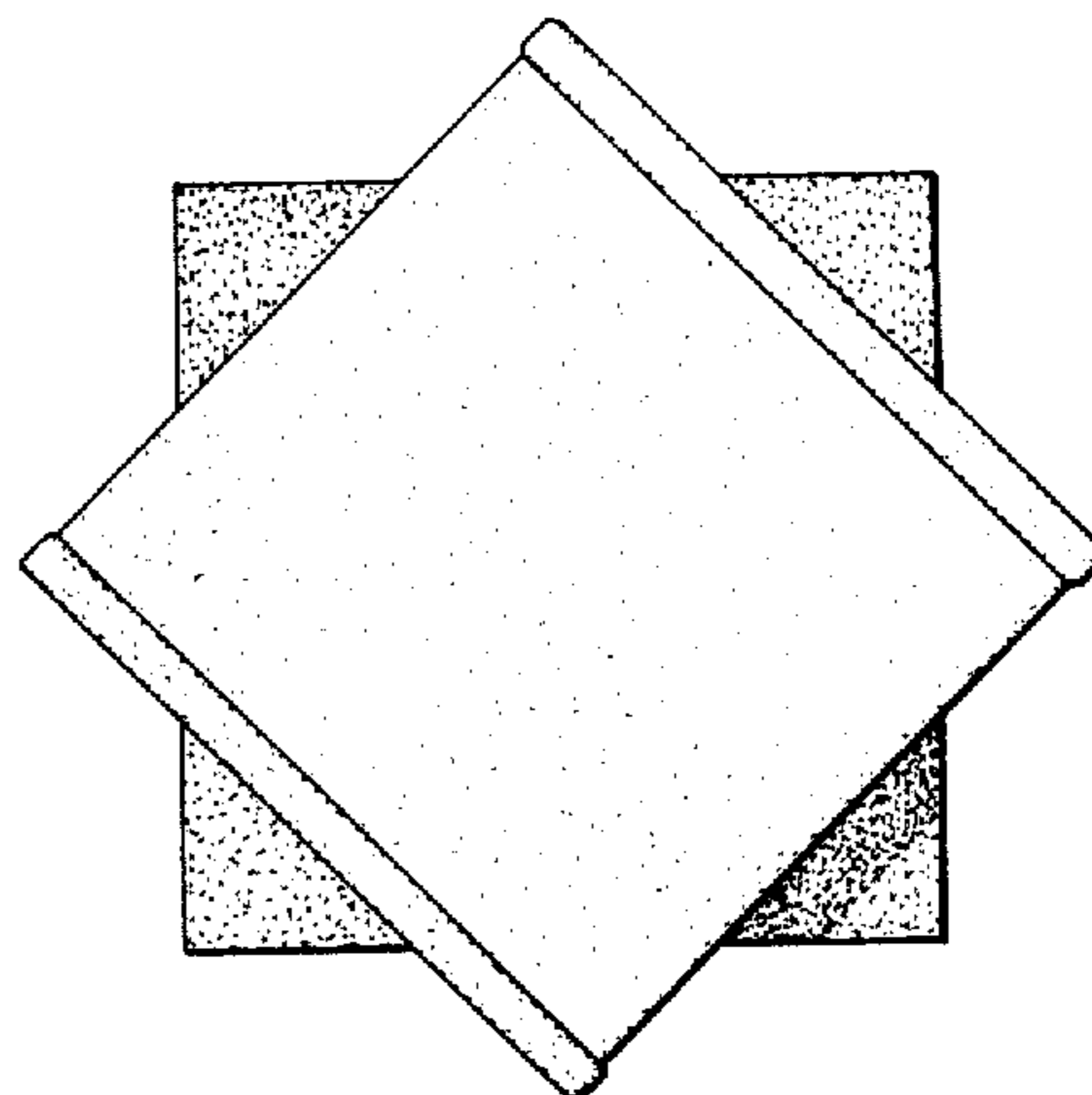


FIG 3

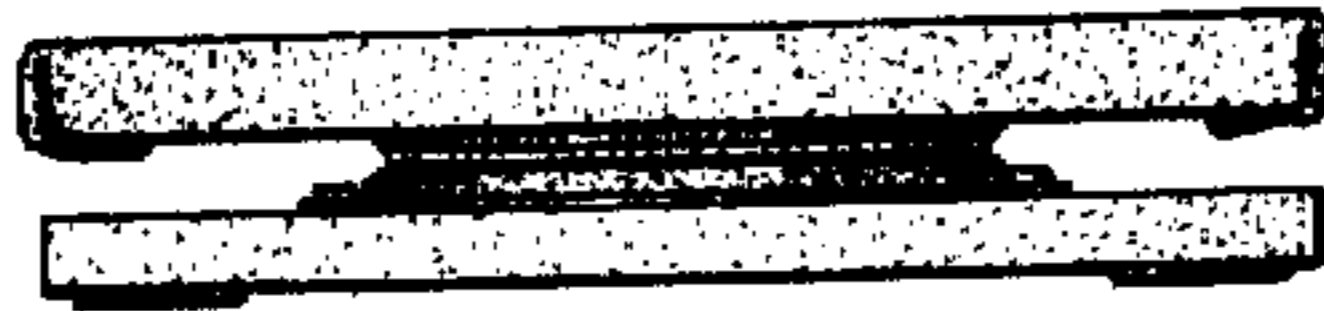


FIG 4A

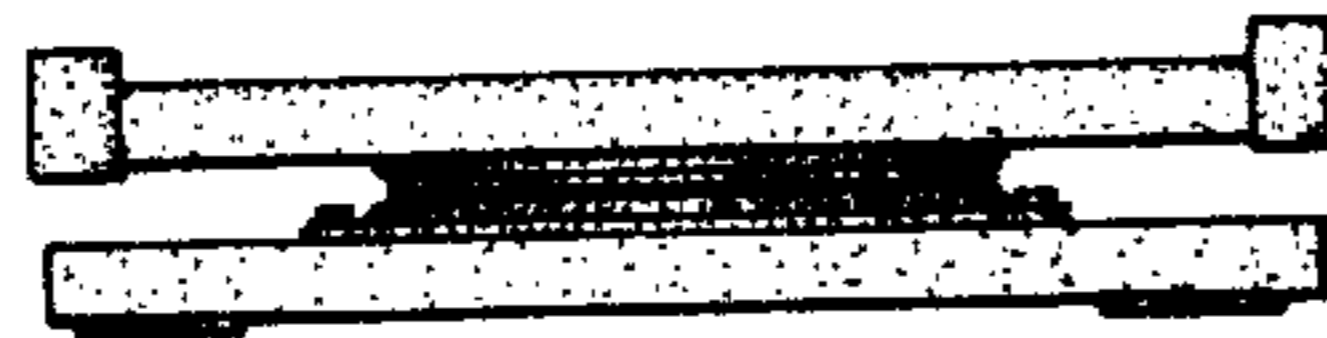


FIG 5

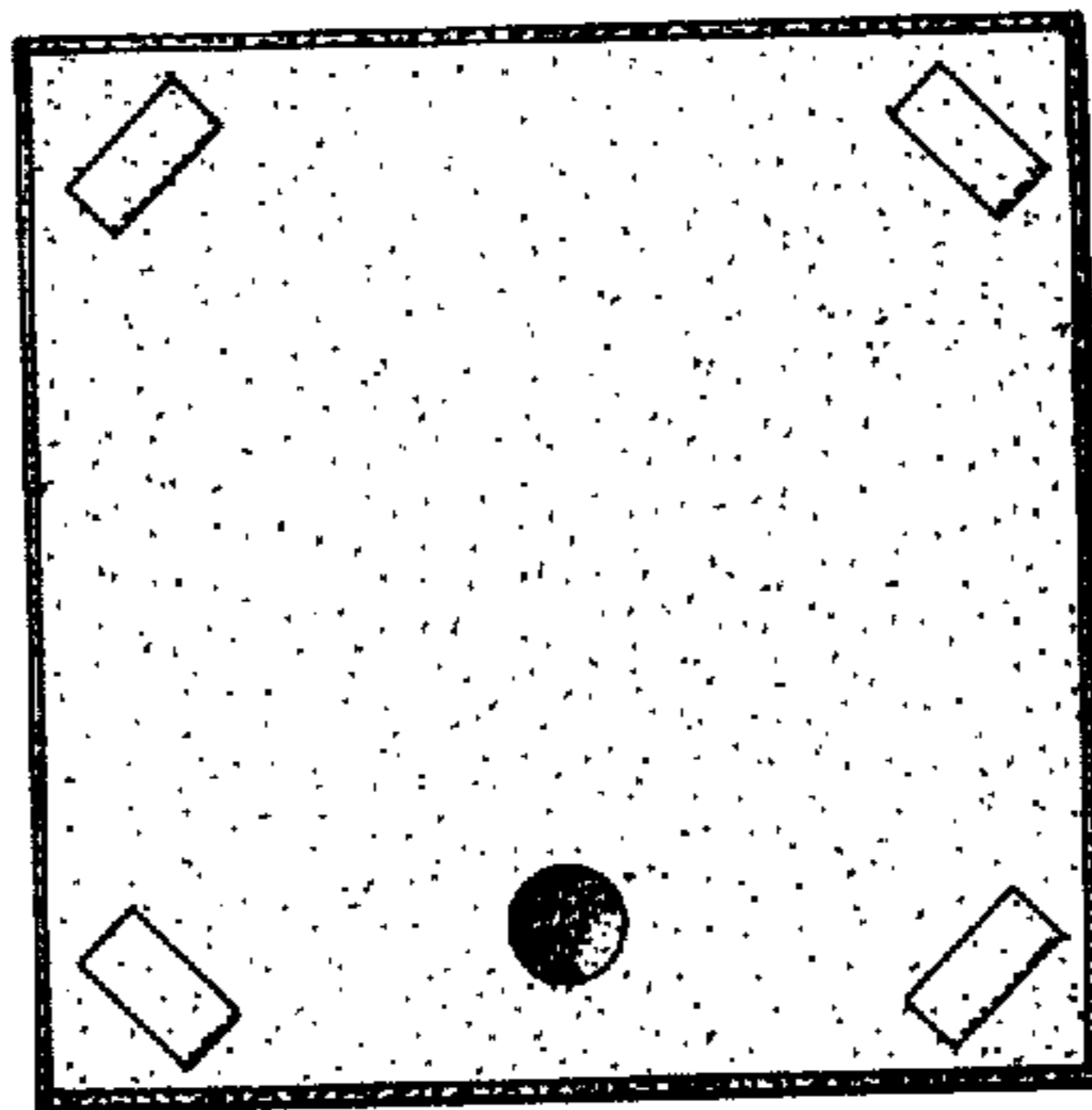


FIG 6