

[54] **BLADDER STIMULATOR**  
[75] Inventors: **Per-Olov A. V. Carlsson, Sosdala; Bo H. Hakansson, Lund, both of Sweden**

[73] Assignee: **Crafon Medical AB, Sweden**

[\*\*] Term: **14 Years**

[21] Appl. No.: **41,231**

[22] Filed: **May 21, 1979**

[30] **Foreign Application Priority Data**

Nov. 27, 1978 [SE] Sweden ..... 78-2756

[51] Int. Cl. .... **D24-99**

[52] U.S. Cl. .... **D24/99**

[58] Field of Search ..... **D24/66, 99; 128/249, 128/129, 419 E, 788**

[56] **References Cited**

**U.S. PATENT DOCUMENTS**

- D. 254,446 3/1980 Raitto ..... D24/99
- 578,210 3/1897 Charlton ..... 128/129
- 1,900,201 3/1933 Sager ..... 128/249

- 2,028,984 1/1936 Lukens ..... 128/249
- 2,283,668 5/1942 Demsey ..... 128/249
- 3,452,749 7/1969 Riedell ..... 128/129
- 3,749,100 7/1973 Von Der Mosel ..... 128/788
- 3,910,618 10/1975 Massenz ..... 128/249
- 4,106,511 8/1978 Erlandson ..... 128/419 E

**FOREIGN PATENT DOCUMENTS**

12122 6/1980 European Pat. Off. .... 128/788

*Primary Examiner*—T. Tung

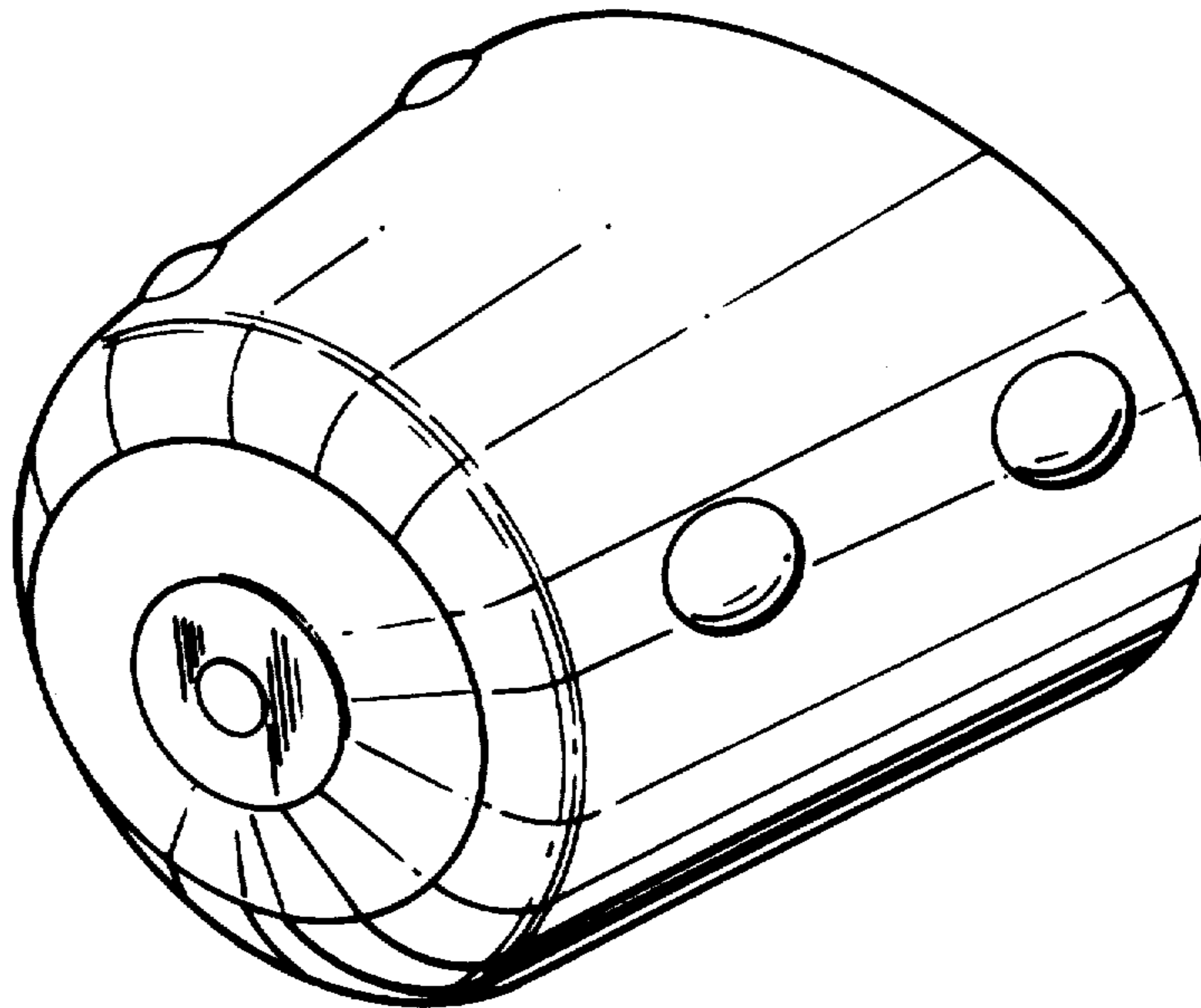
*Attorney, Agent, or Firm*—Lerner, David, Littenberg & Samuel

[57] **CLAIM**

The design for a bladder stimulator, substantially as shown and described.

**DESCRIPTION**

FIG. 1 is a perspective view of a bladder stimulator showing our new design;  
 FIG. 2 is a top plan view thereof;  
 FIG. 3 is a bottom plan view thereof;  
 FIG. 4 is a rear elevational view thereof;  
 FIG. 5 is a front elevational view thereof; and,  
 FIG. 6 is a left elevational view, the right elevational view is a mirror image thereof.



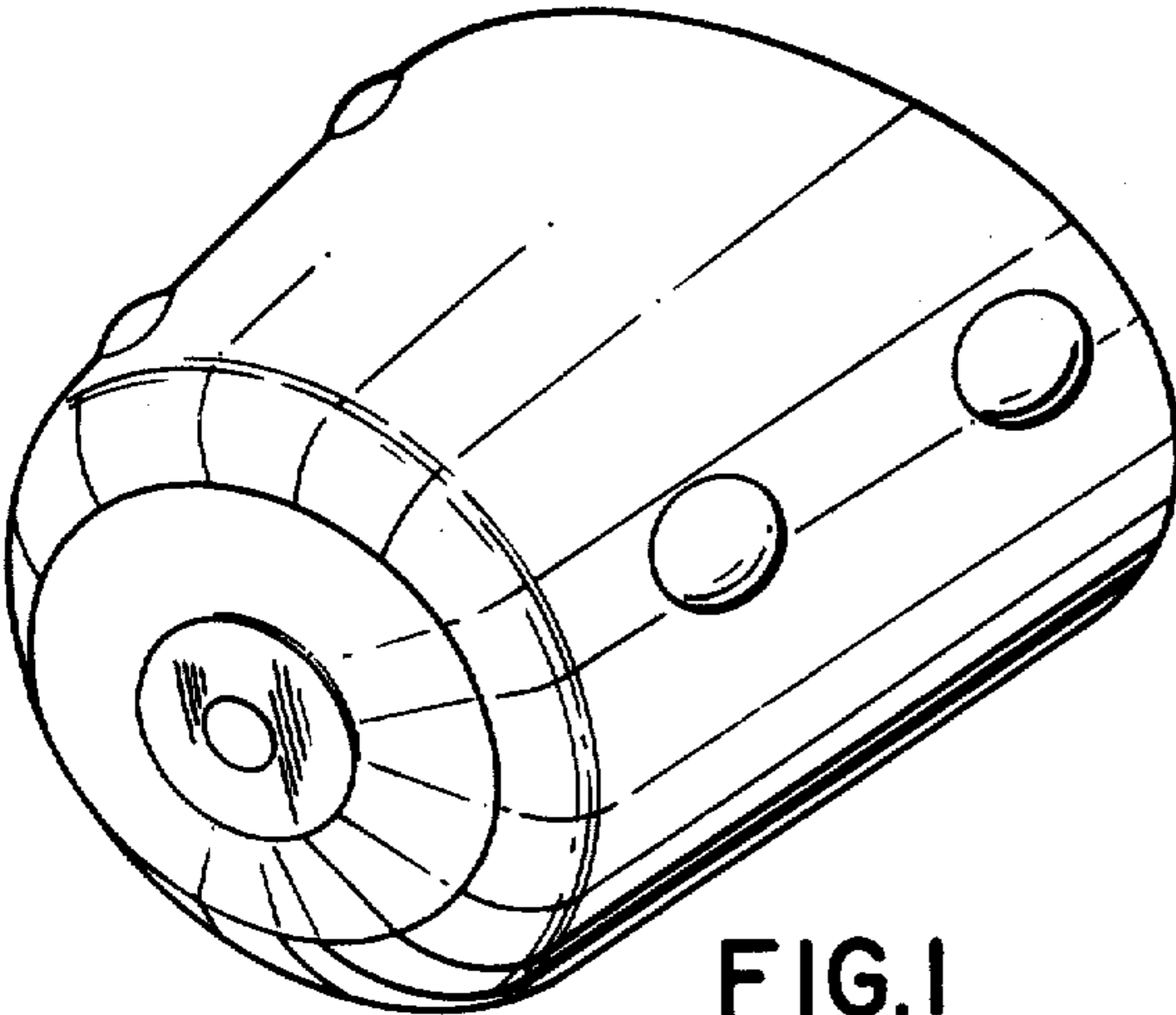


FIG. 1

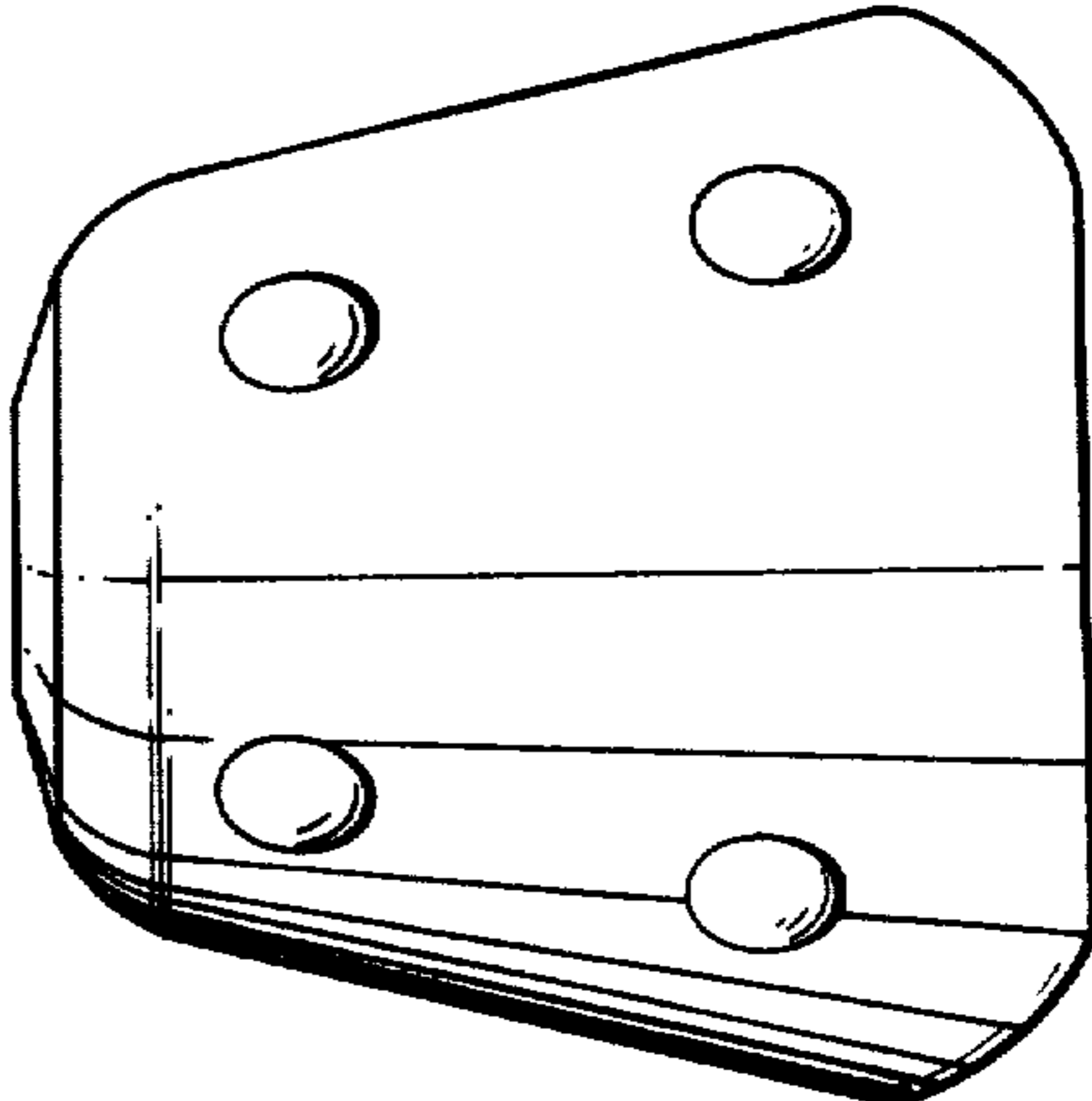


FIG. 2

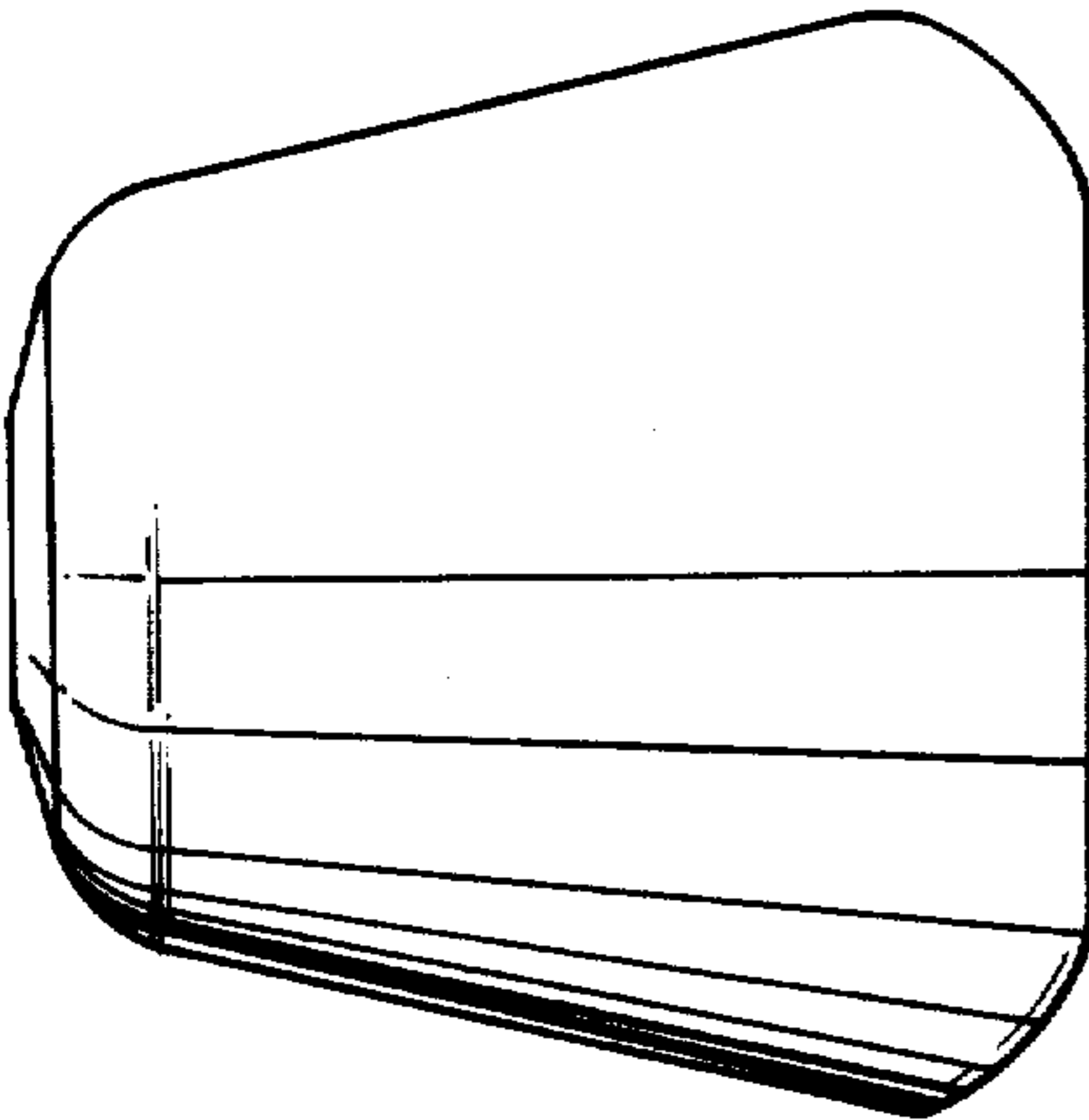


FIG. 3

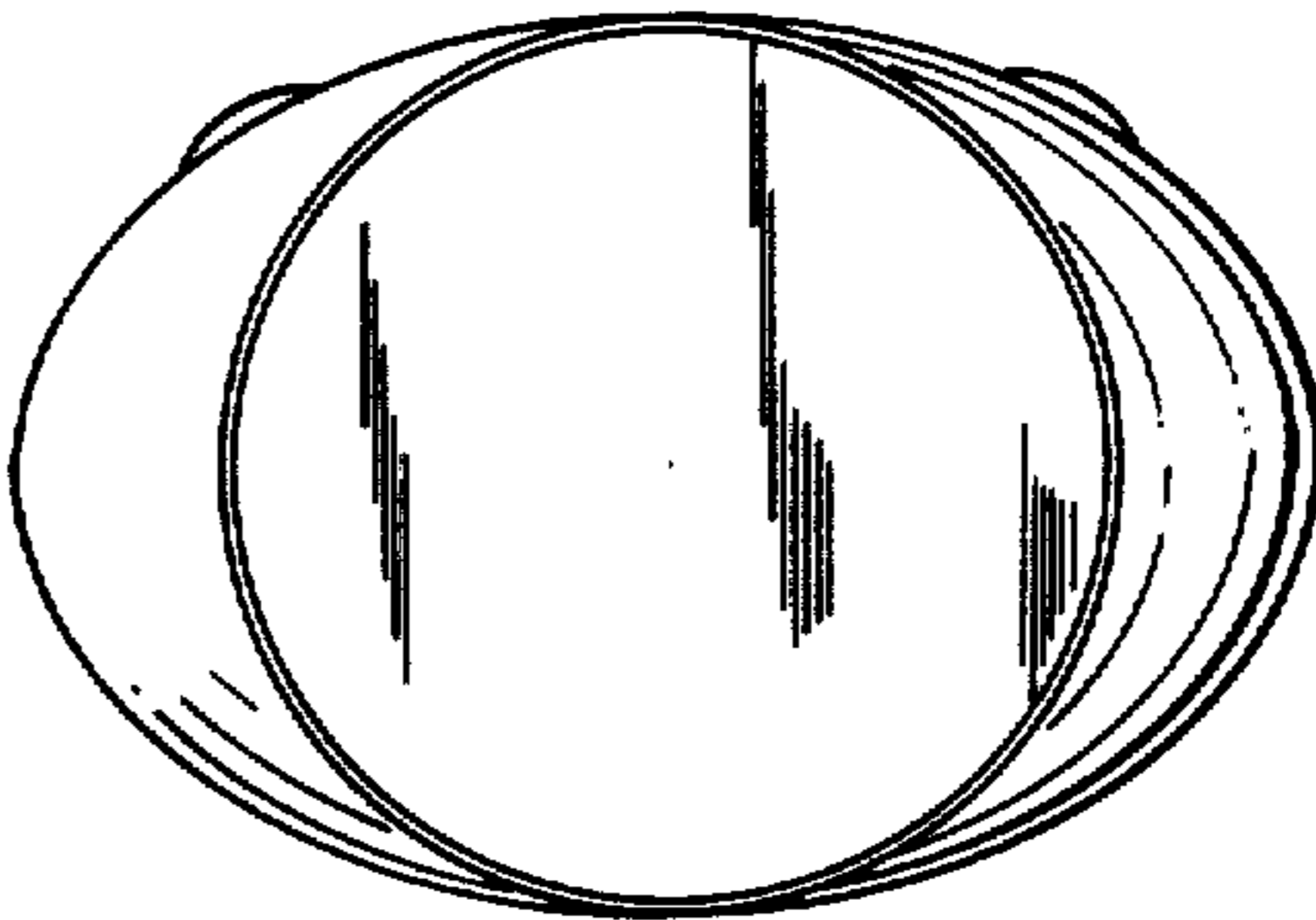


FIG. 4

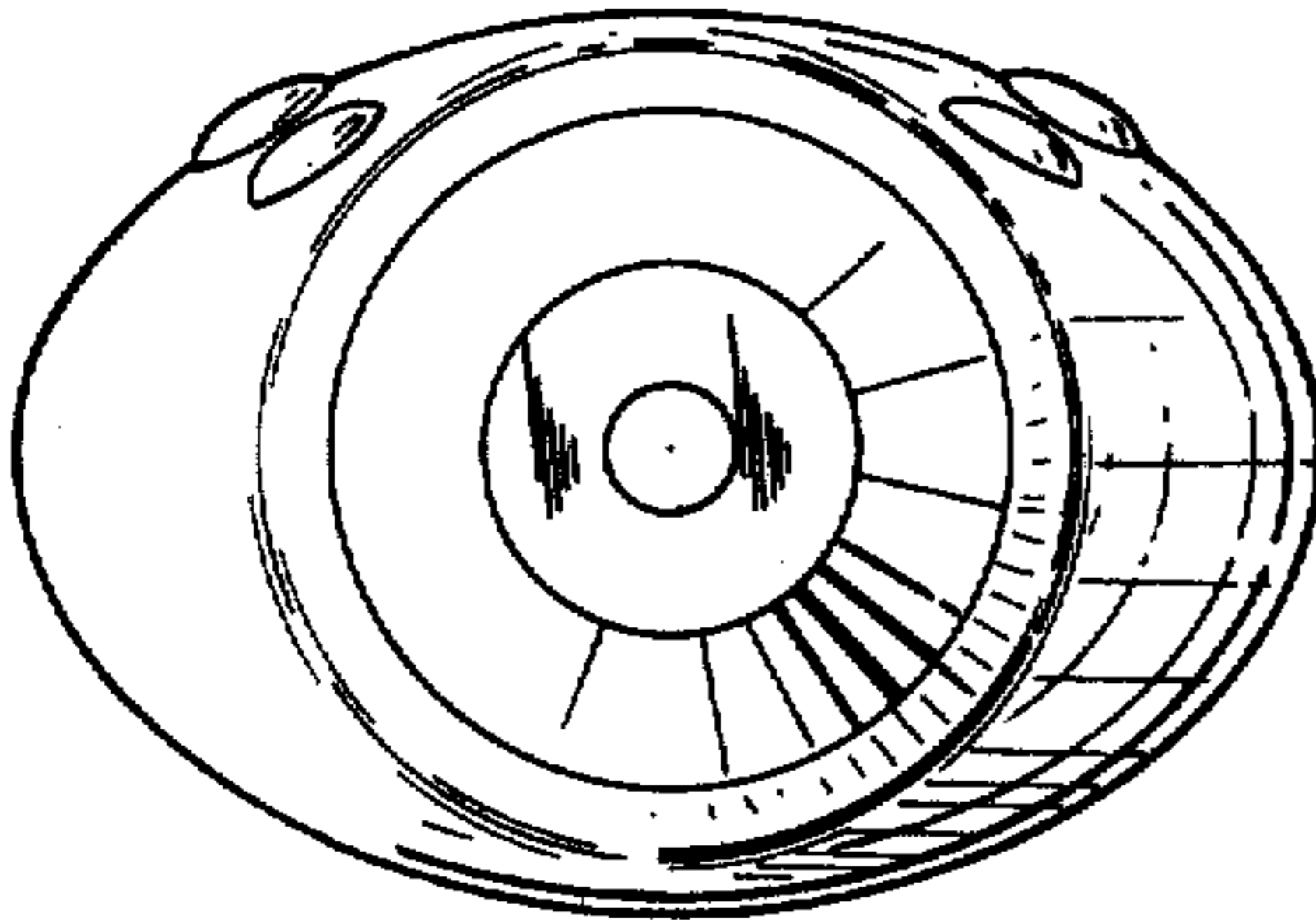


FIG. 5

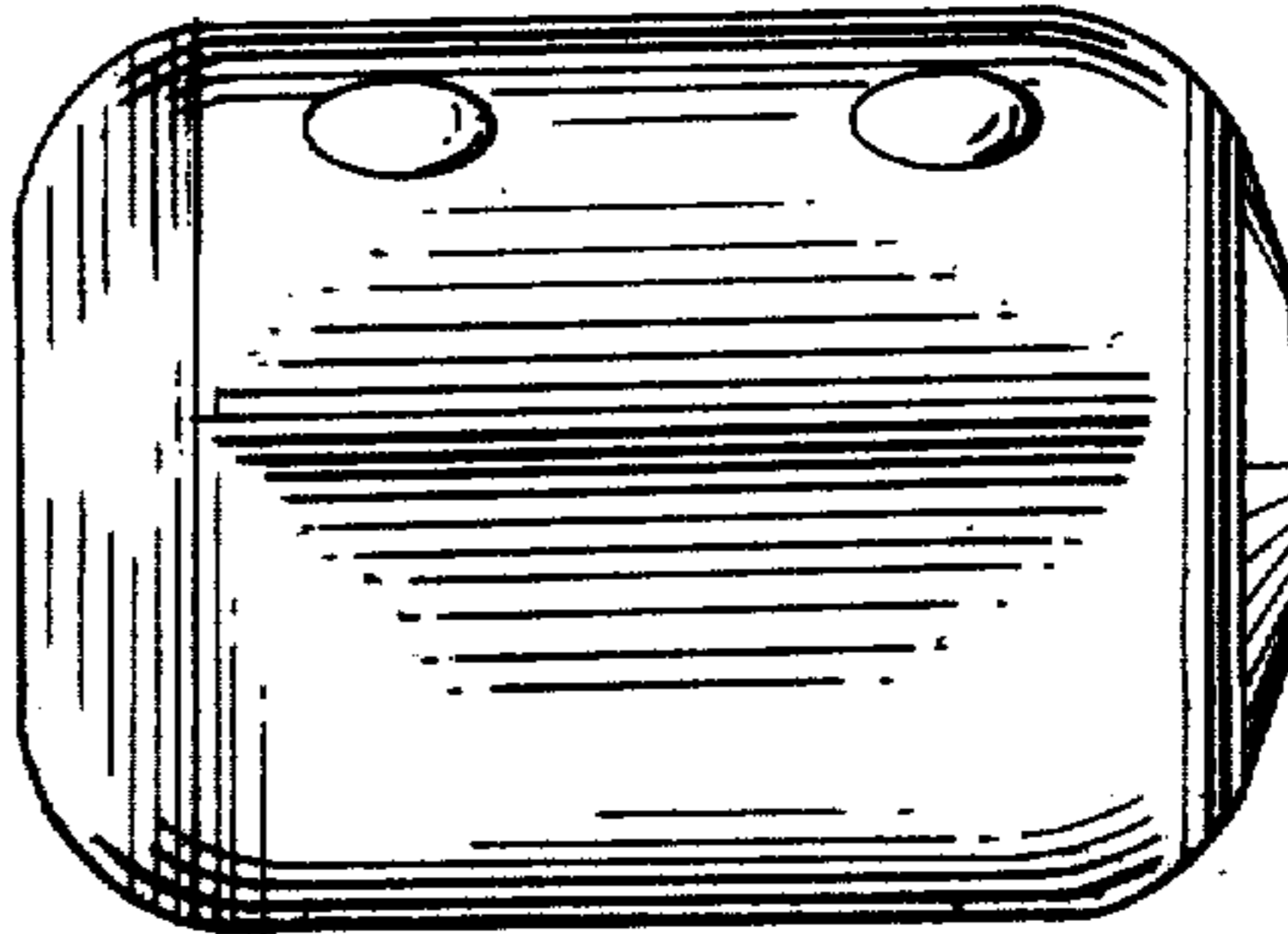


FIG. 6