

[54] **BANDAGE**

[75] **Inventor: Allyn L. Golub, Coral Gables, Fla.**

[73] **Assignee: Key Pharmaceuticals, Incorporated, Miami, Fla.**

[**] **Term: 14 Years**

[21] **Appl. No.: 156,175**

[22] **Filed: Jun. 3, 1980**

[51] **Int. Cl. D24—04**
[52] **U.S. Cl. D24/49; D24/99**
[58] **Field of Search 128/132 R, 156, 155; D24/49, 99**

[56]

References Cited

U.S. PATENT DOCUMENTS

D. 205,575	8/1966	Cumming	D24/49
3,903,882	9/1975	Augurt	128/155
4,214,581	7/1980	Berman	128/155
4,221,215	9/1980	Mandelbaum	128/155

Primary Examiner—Bernard Ansher
Attorney, Agent, or Firm—Wegner & Bretschneider

[57]

CLAIM

The ornamental design for a bandage, substantially as shown and described.

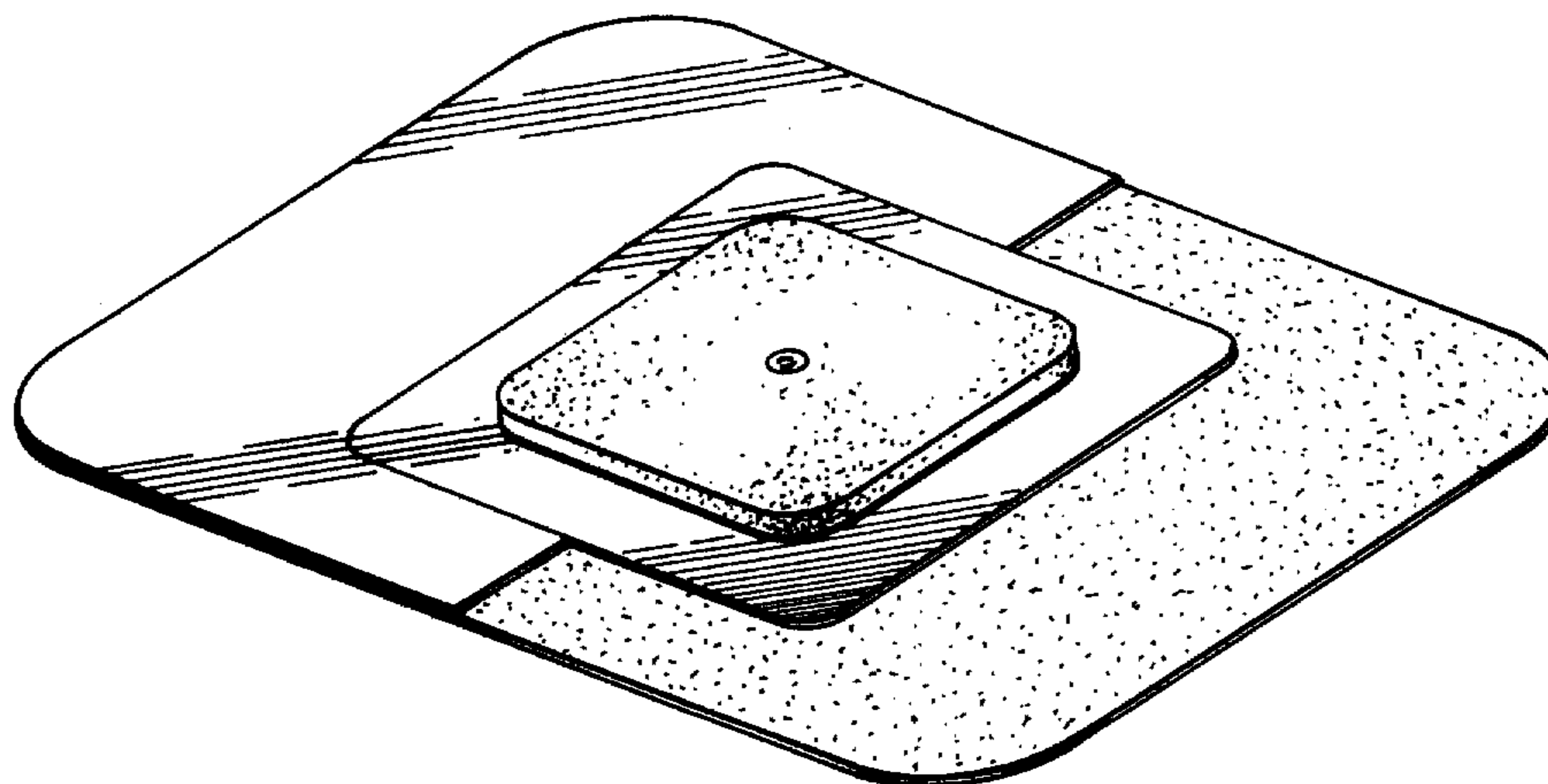
DESCRIPTION

FIG. 1 is a top perspective view of a bandage in accordance with my new design.

FIG. 2 is a top plan view of the bandage of FIG. 1.

FIG. 3 is a side elevation of the bandage of FIG. 1.

The undisclosed bottom portions are plane and unornamented.



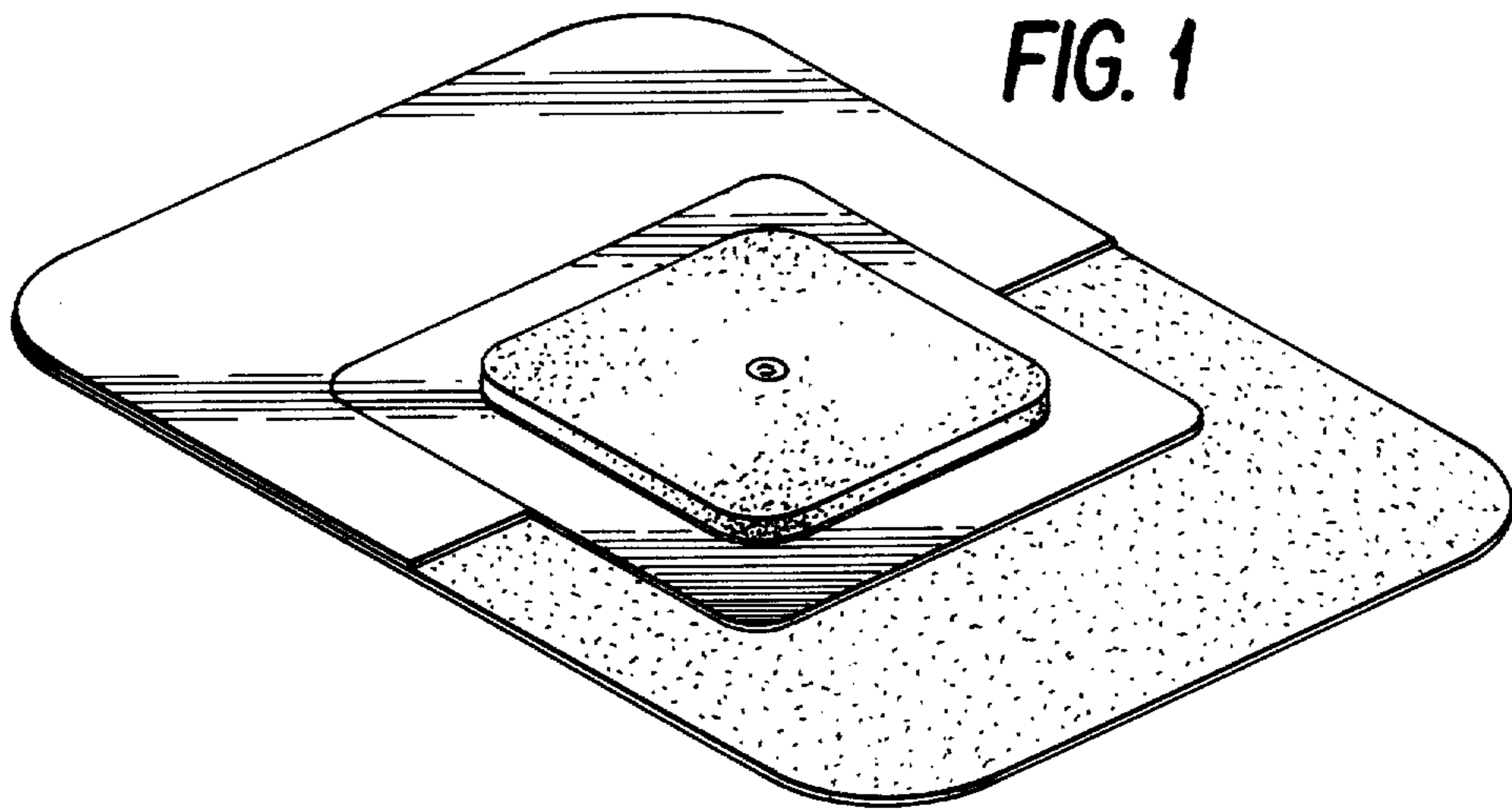


FIG. 2

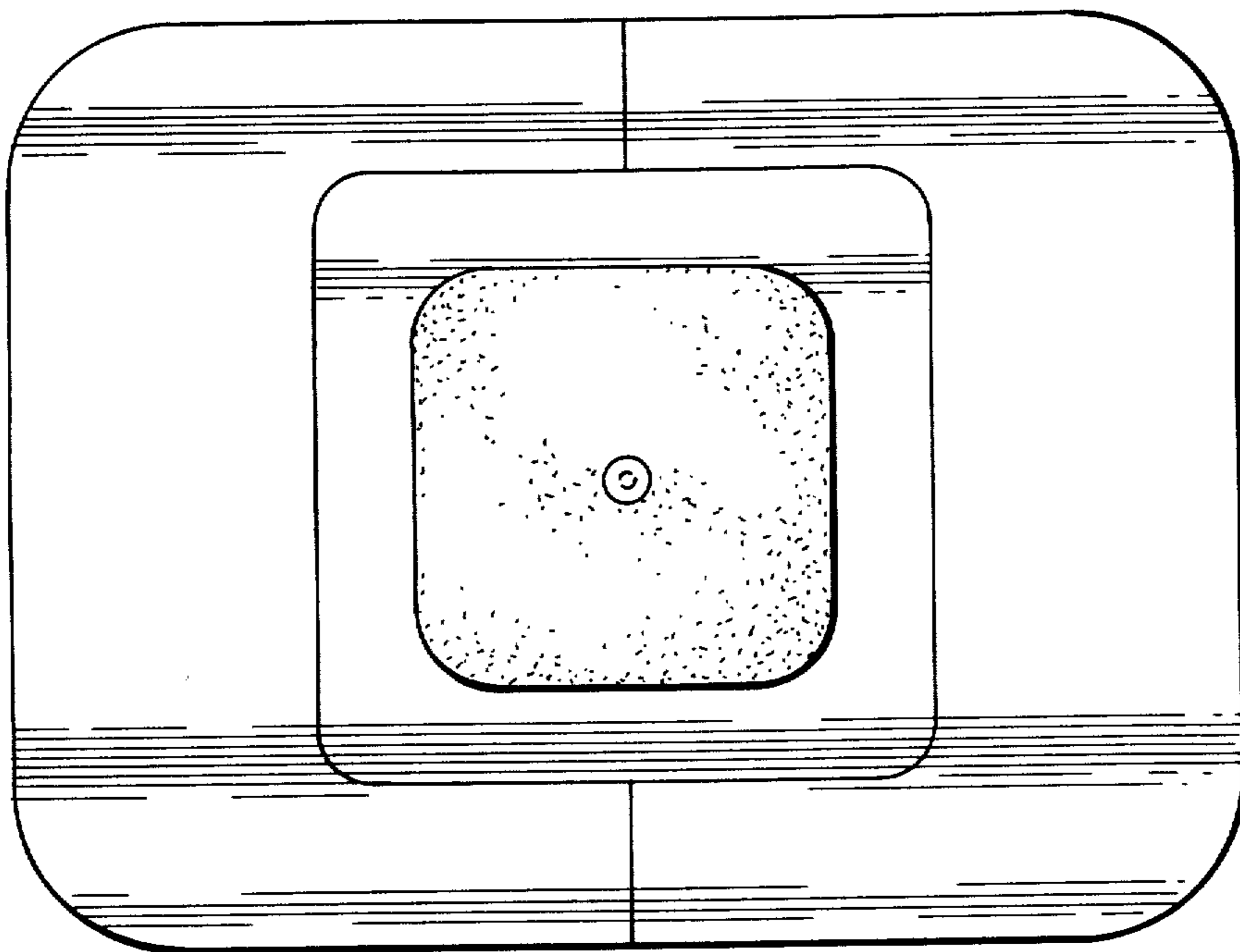


FIG. 3

