

[54] FORCEP

[75] Inventor: Arne T. Wannag, Saltsjobaden, Sweden

[73] Assignee: Fogless AB, Sweden

[**] Term: 14 Years

[21] Appl. No.: 63,326

[22] Filed: Aug. 2, 1979

[30] Foreign Application Priority Data

Feb. 2, 1979 [SE] Sweden 79 0282

[51] Int. Cl. D24-99

[52] U.S. Cl. D24/27; D10/73;
128/321; 128/325; 128/346; 128/354; 81/43;
81/302

[58] Field of Search D24/27; D10/173;
128/354, 321, 325, 346; 81/43, 302

[56] References Cited

U.S. PATENT DOCUMENTS

482,232 9/1892 Delaney 81/43
573,036 12/1896 Piaget 81/43

Primary Examiner—Veronica O’Keefe
Attorney, Agent, or Firm—William A. Drucker

[57] CLAIM

The ornamental design for a forcep, as shown.

DESCRIPTION

FIG. 1. is a top view in elevation of the design in accordance with the present invention;
FIG. 2. is a top view as in FIG. 1 with the forceps rotated 180°; and

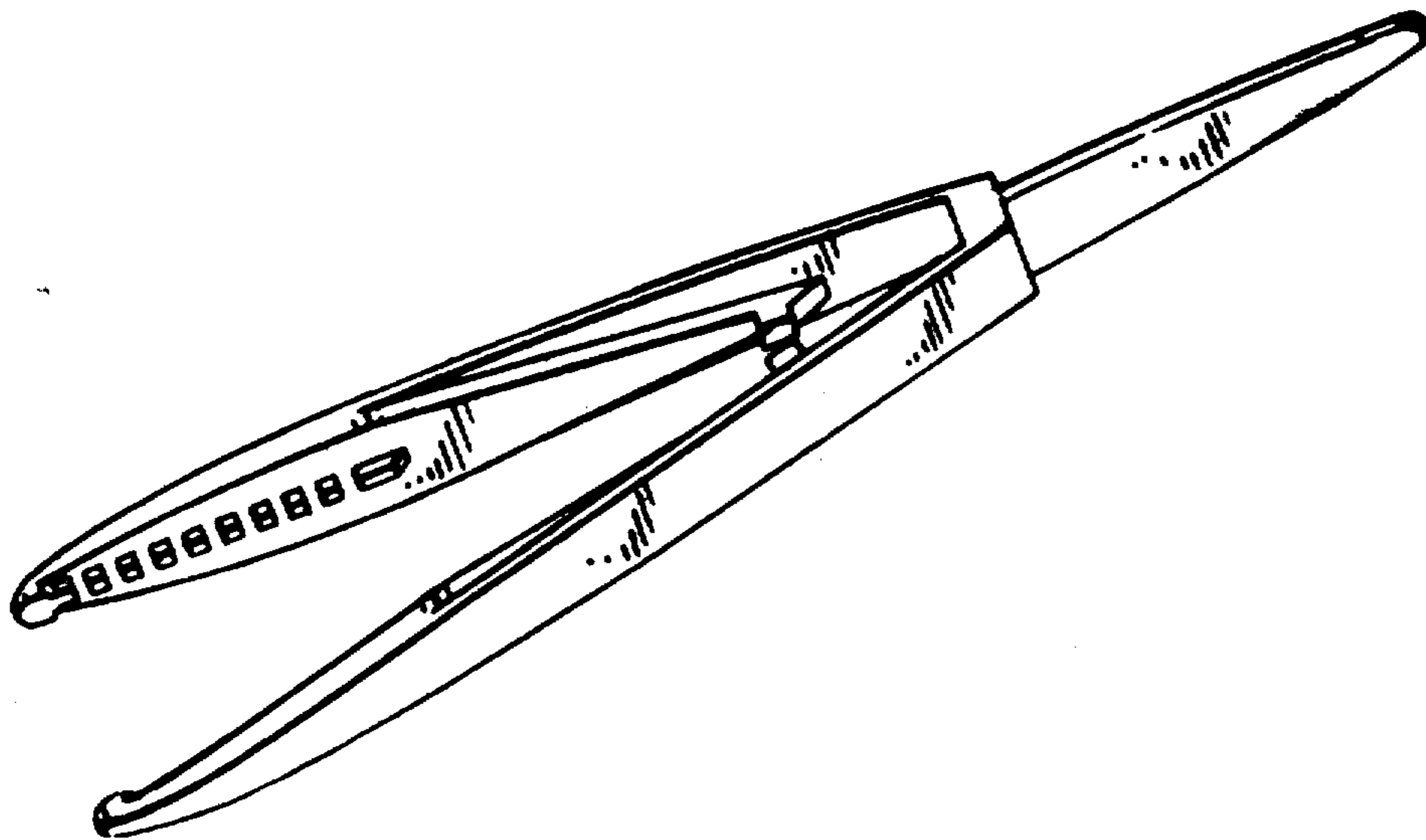


FIG. 1

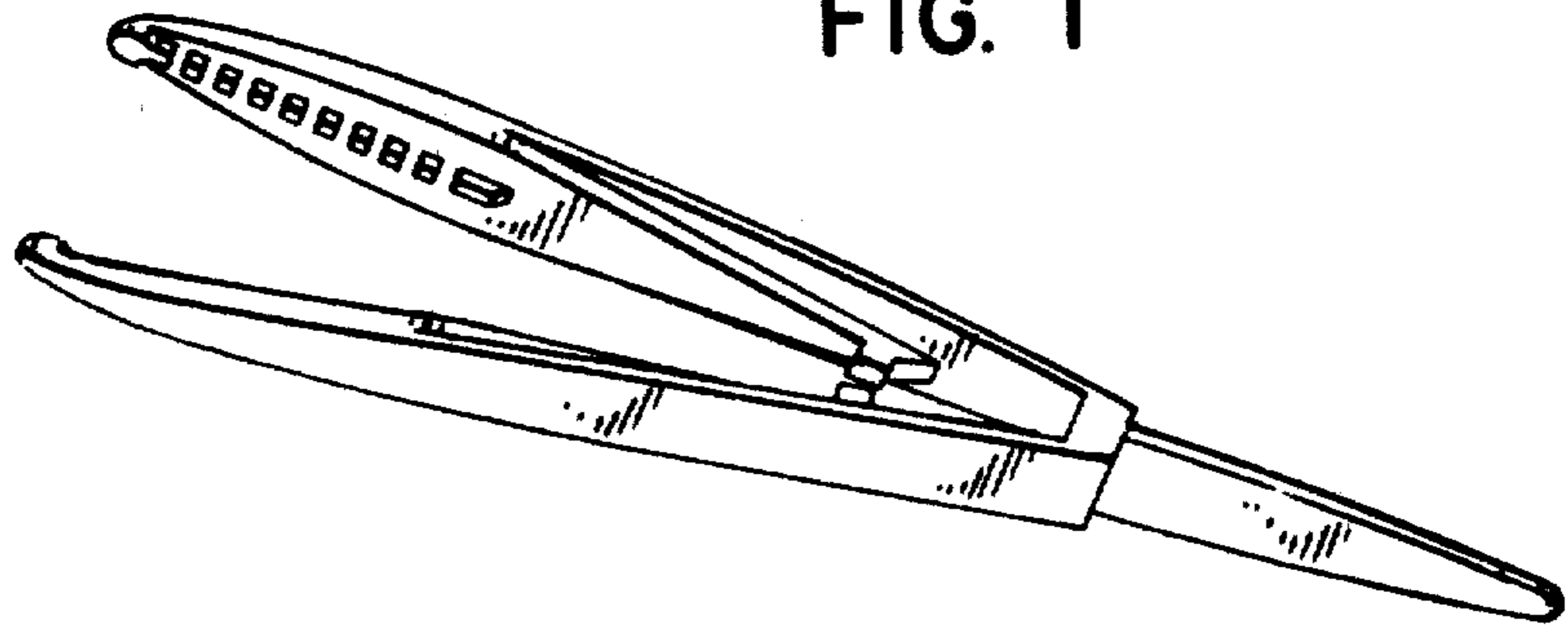


FIG. 2

