

[54] QUICK CONNECT COUPLING

[76] Inventor: Charles D. Evans, 11758 Weld
County Rd. 19, Ft. Lupton, Colo.
80621

[**] Term: 14 Years

[21] Appl. No.: 189,651

[22] Filed: Sep. 22, 1980

[51] Int. Cl. D23-01

[52] U.S. Cl. D23/44

[58] Field of Search D23/40-48;
285/8, 360, 376, 391, 401

3,414,001 12/1968 Woodford 285/8 X

3,540,762 11/1970 Dunlap 285/391

4,076,285 2/1978 Martinez 285/376 X

OTHER PUBLICATIONS

Hardware Age, Jan. 16, 1958, p. 51.

Primary Examiner—James R. Largen

Attorney, Agent, or Firm—W. Scott Carson

CLAIM

The ornamental design for a quick connect coupling, as shown and described.

DESCRIPTION

FIG. 1 is a perspective view of a quick connect coupling showing my new design;

FIG. 2 is a front view thereof;

FIG. 3 is an elevational view taken from one side thereof, the opposite side being a mirror image of the side shown;

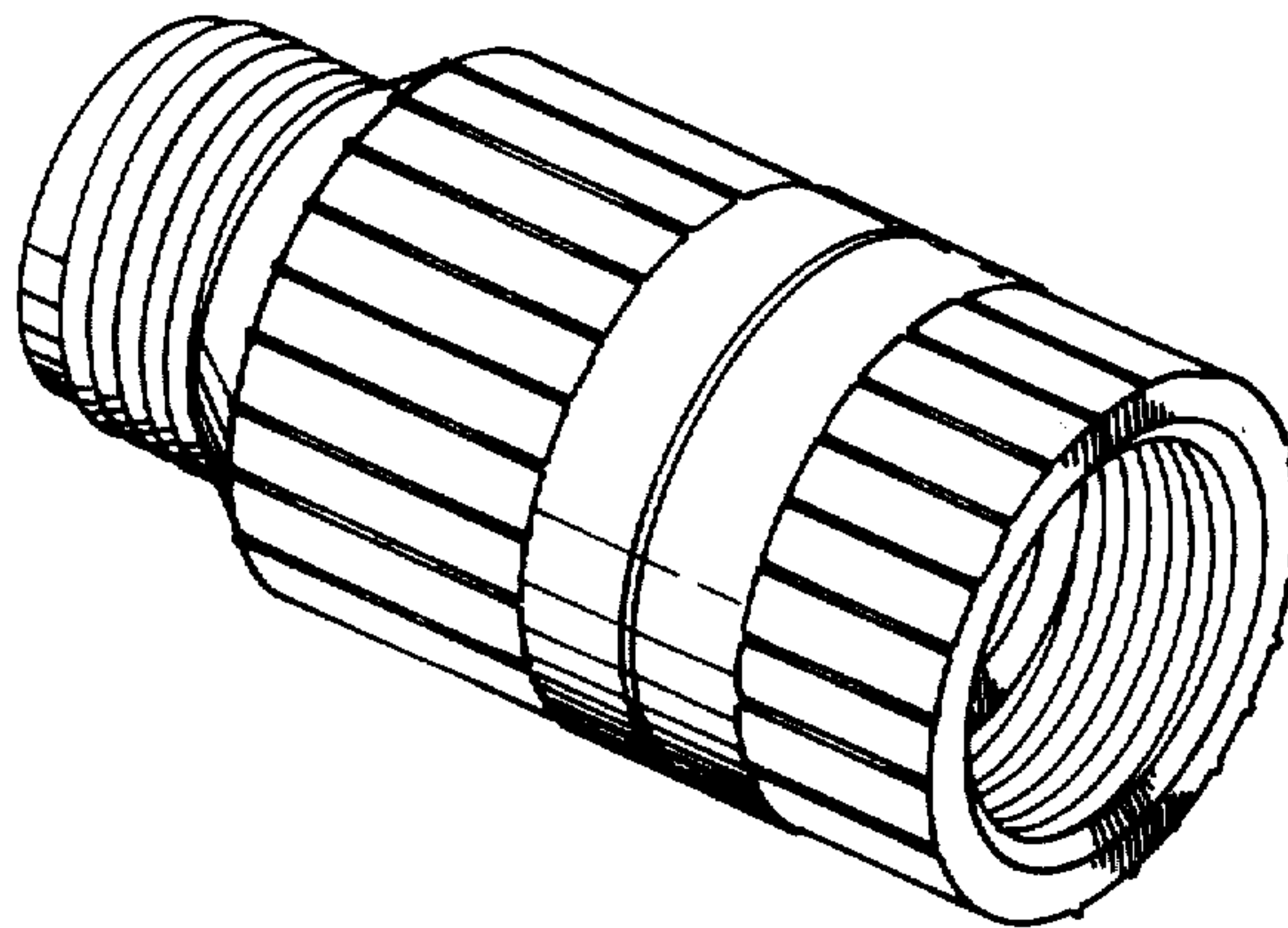
FIG. 4 is a rear elevational view thereof; and

FIG. 5 is a top plan view thereof, the bottom being a mirror image of the top shown.

[56] References Cited

U.S. PATENT DOCUMENTS

D. 121,608	7/1940	Bedur	D23/44
D. 194,526	2/1963	Lohmar	D23/44
D. 195,540	6/1963	Knight	D23/44
D. 254,802	4/1980	Hayes	D23/44
D. 254,863	4/1980	Hayes	D23/44
2,695,797	11/1954	McCarthy	285/391



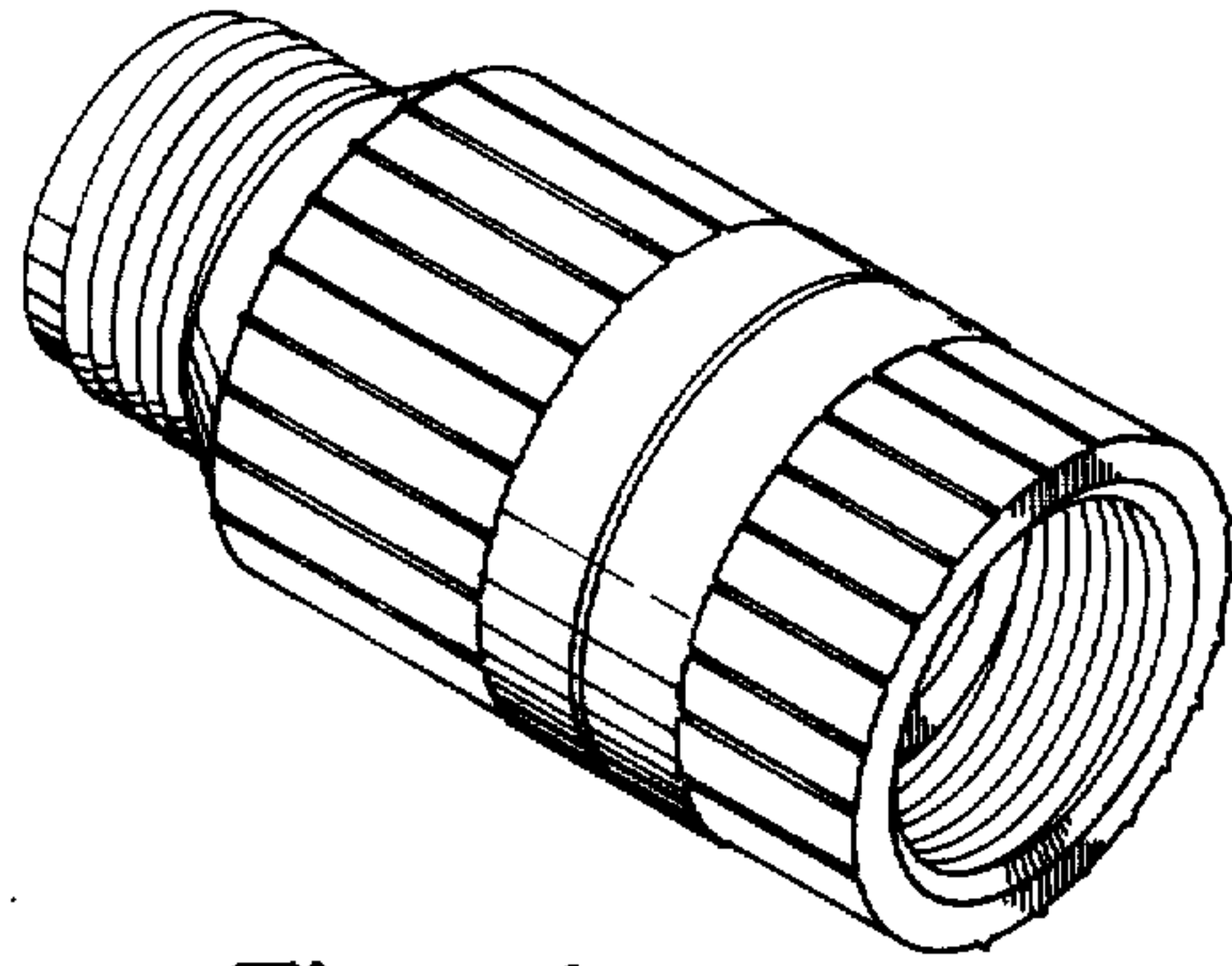


Fig. 1

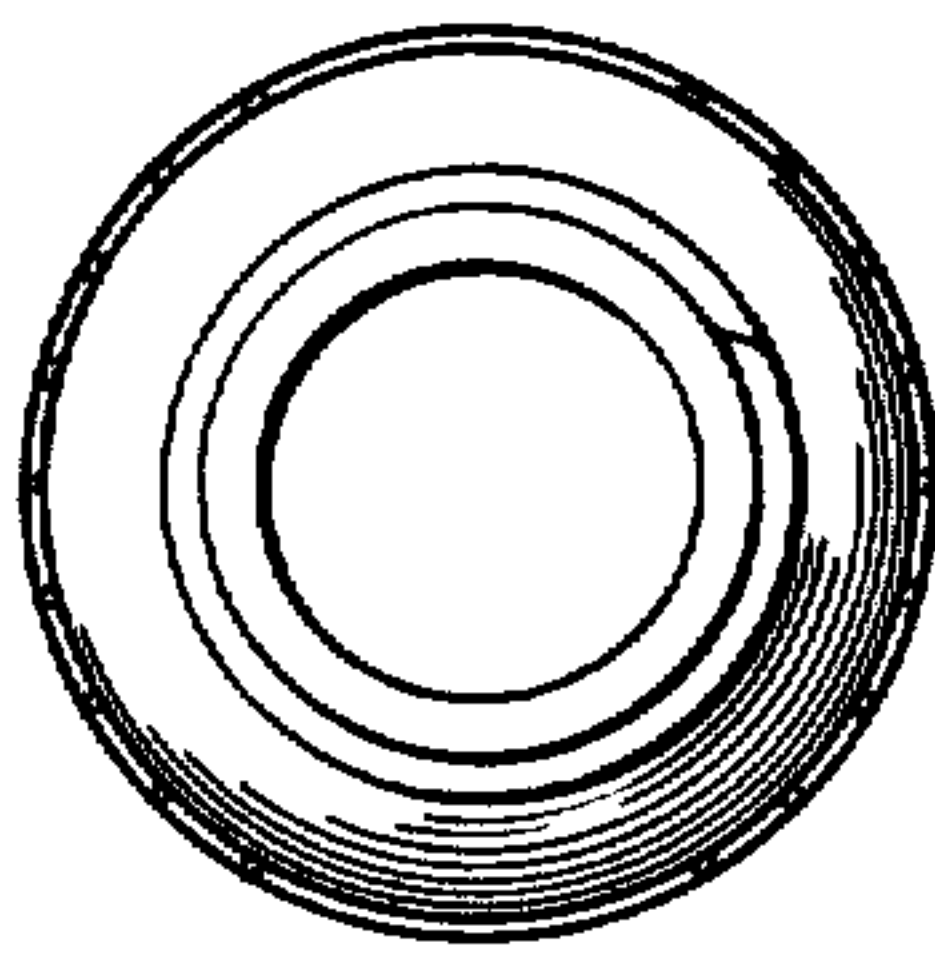


Fig. 2

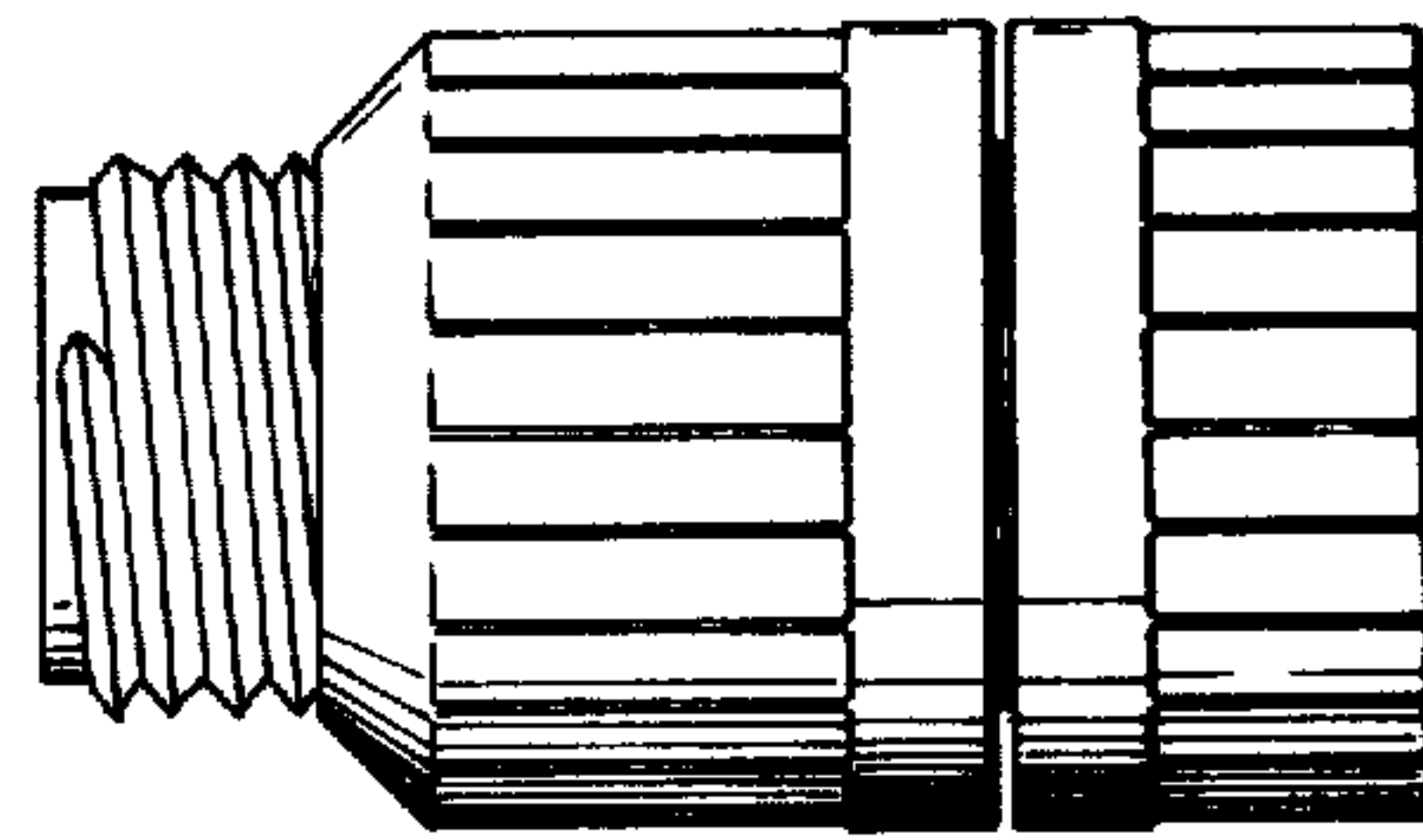


Fig. 3

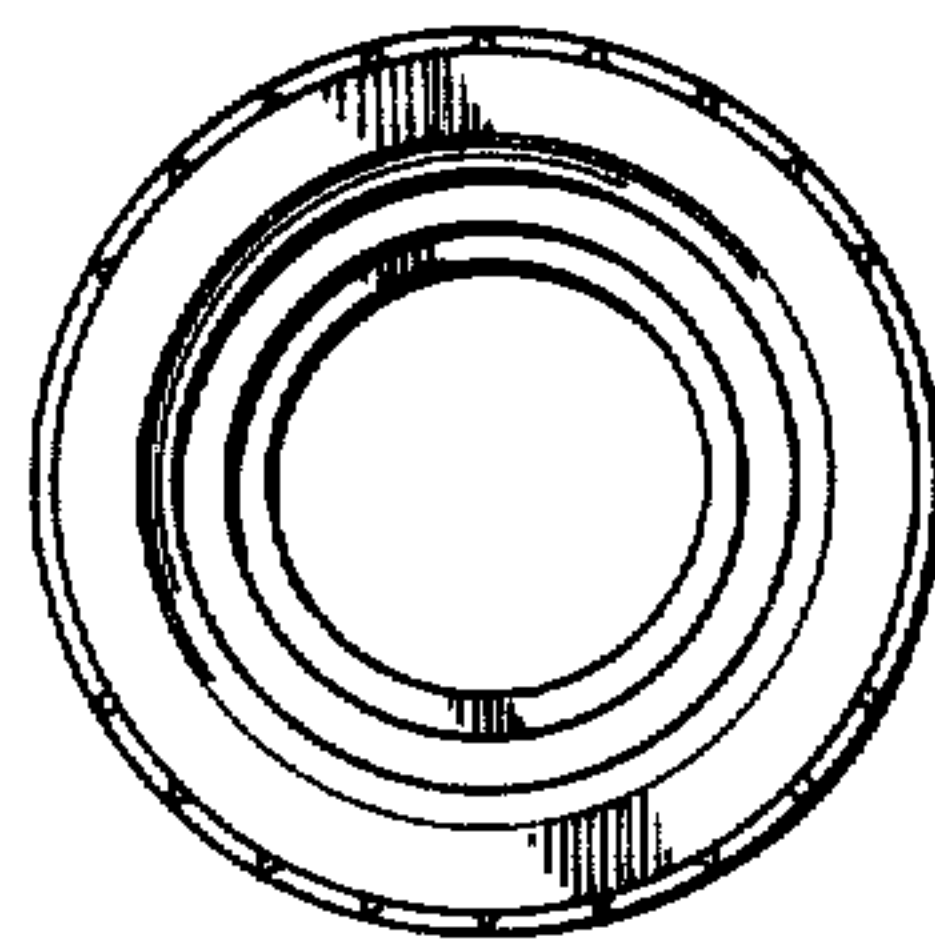


Fig. 4

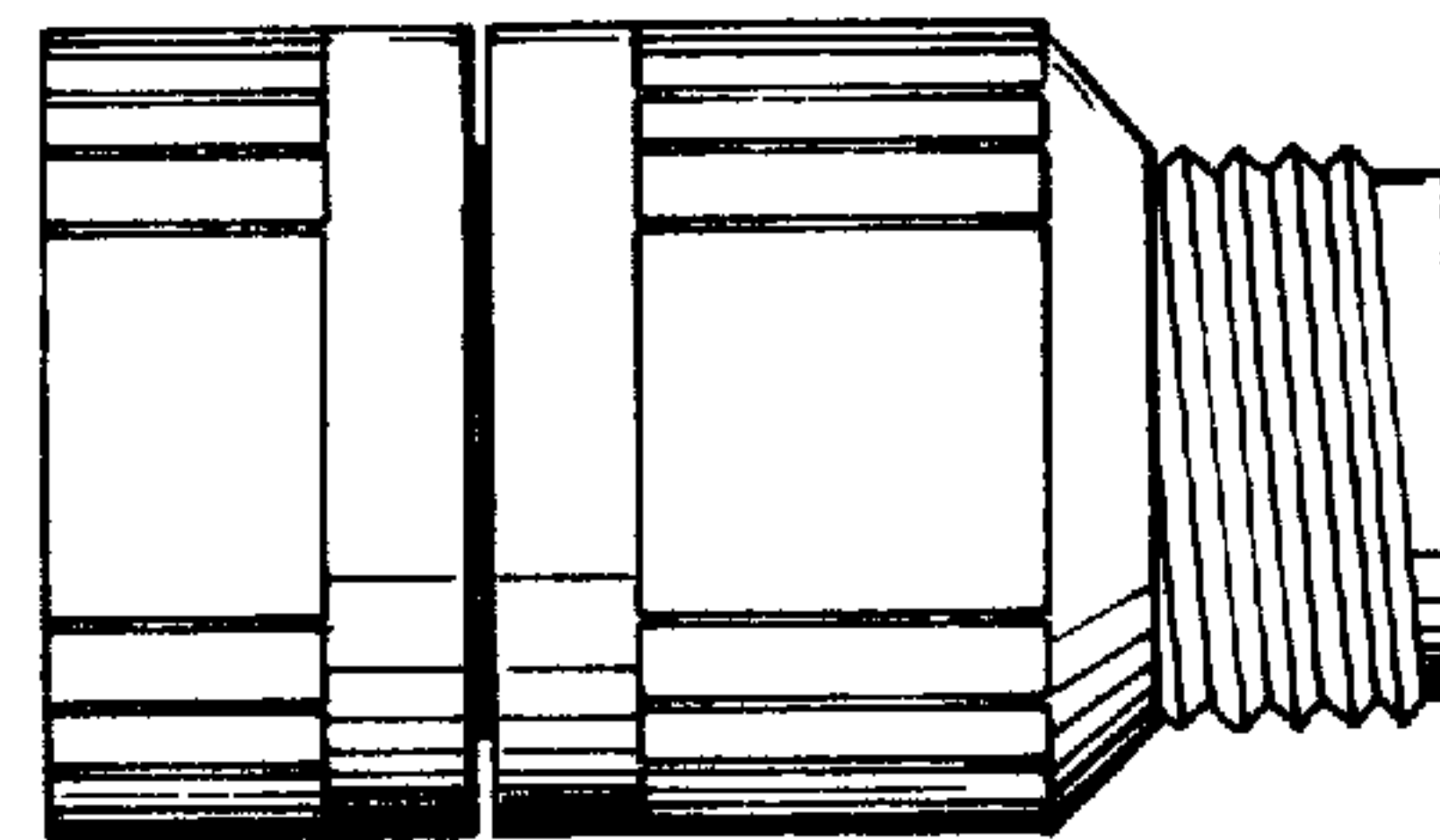


Fig. 5