

[54] WELDING OUTLET

[75] Inventor: Bobby W. Ryan, Houston, Tex.

[73] Assignee: WFI International, Inc., Houston, Tex.

[\*\*] Term: 14 Years

[21] Appl. No.: 187,342

[22] Filed: Sep. 15, 1980

[51] Int. Cl. .... D23-01

[52] U.S. Cl. .... D23/40

[58] Field of Search ..... D23/40-47; 285/189, 286

[56] References Cited

U.S. PATENT DOCUMENTS

D. 243,456	2/1977	Ryan	.....	D23/40
D. 243,457	2/1977	Ryan	.....	D23/40
D. 262,397	12/1981	Ryan	.....	D23/40
2,015,246	9/1935	Taylor	.....	285/189
2,981,556	4/1961	Jackson	.....	285/286 X
3,026,130	3/1962	Morrell	.....	285/286 X
3,516,692	6/1970	Albrecht	.....	285/286 X
3,594,025	7/1971	Wagner	.....	285/189 X
3,897,757	7/1975	Best	.....	285/189
4,015,321	4/1977	Witter	.....	285/286 X
4,103,940	8/1978	Bills	.	

OTHER PUBLICATIONS

Noland Company Industrial Supplies Catalog "T", (©1957), p. T598.

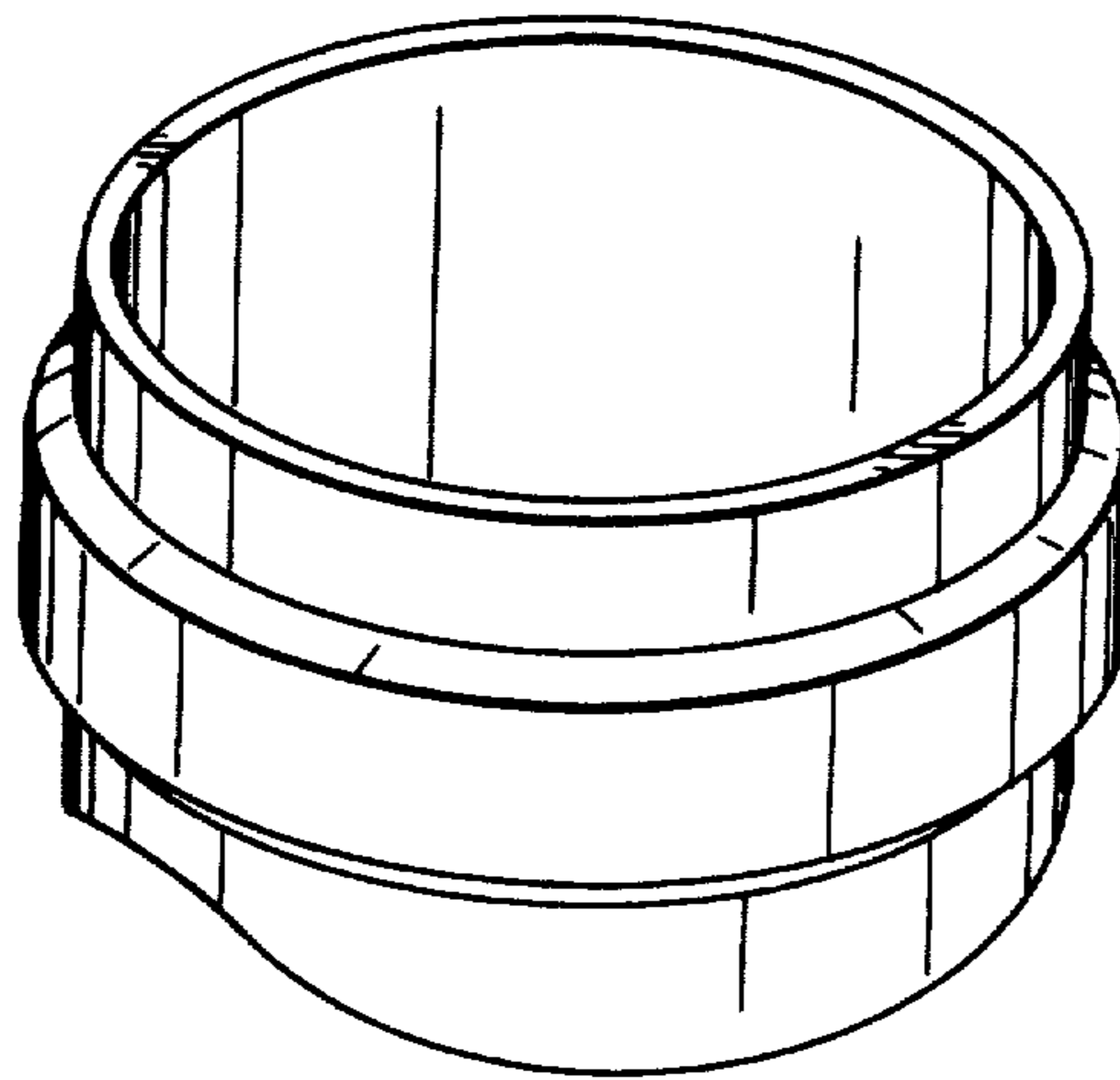
Primary Examiner—James R. Largen  
Attorney, Agent, or Firm—Pravel, Gambrell, Hewitt, Kirk & Kimball

[57] CLAIM

The ornamental design for a welding outlet, substantially as shown and described.

DESCRIPTION

FIG. 1 is a perspective view of a welding outlet showing my new design;  
FIG. 2 is a side elevational view thereof;  
FIG. 3 is another side elevational view taken 90 degrees from the side shown in FIG. 2;  
FIG. 4 is a top plan view thereof;  
FIG. 5 is a bottom plan view thereof;  
FIG. 6 is a perspective view of a modified form of the welding outlet shown in FIG. 1;  
FIG. 7 is a side elevational view of FIG. 6;  
FIG. 8 is another side elevational view taken 90 degrees from the side shown in FIG. 7;  
FIG. 9 is a top plan view thereof; and  
FIG. 10 is a bottom plan view thereof.



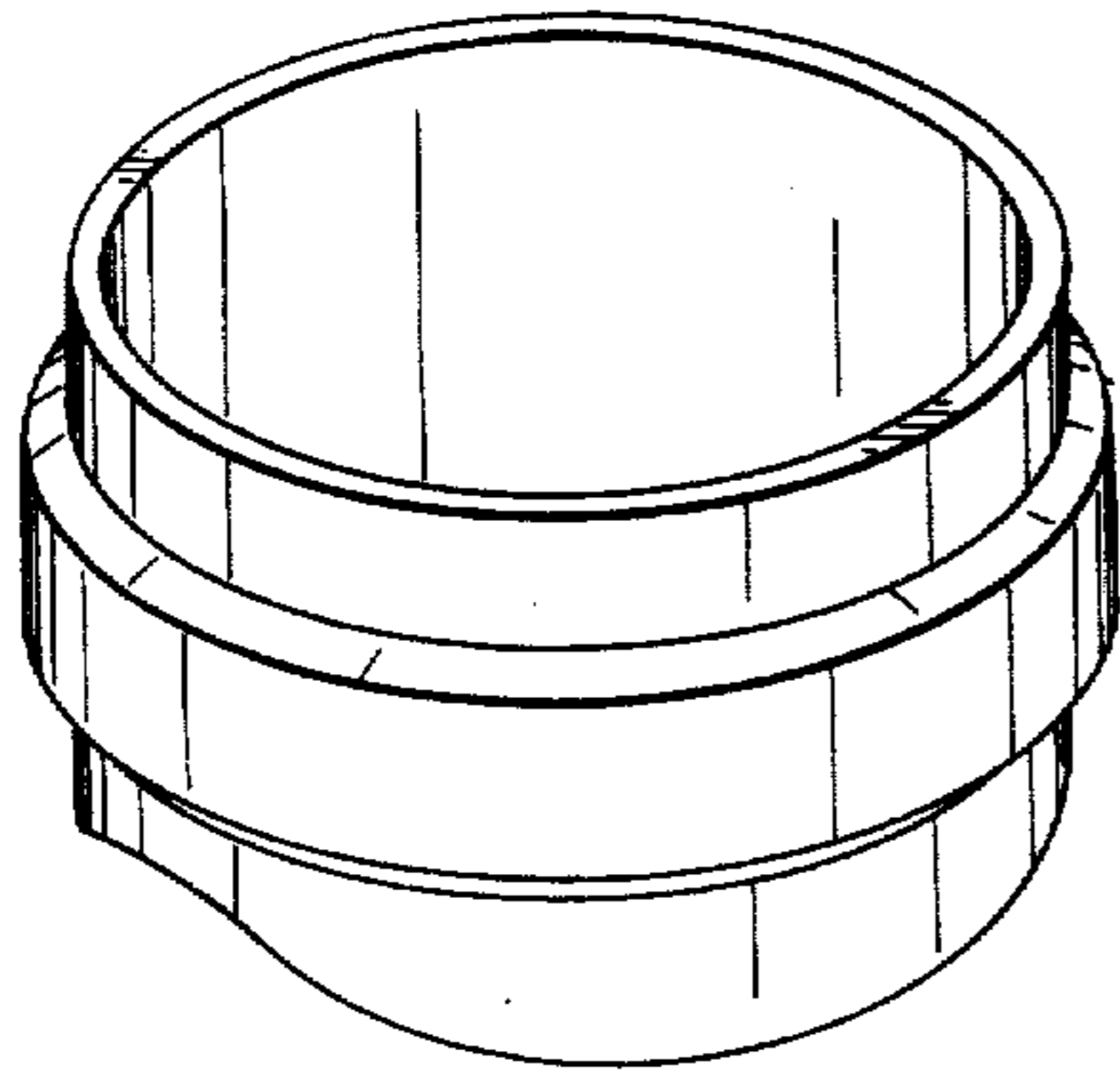


FIG. 1

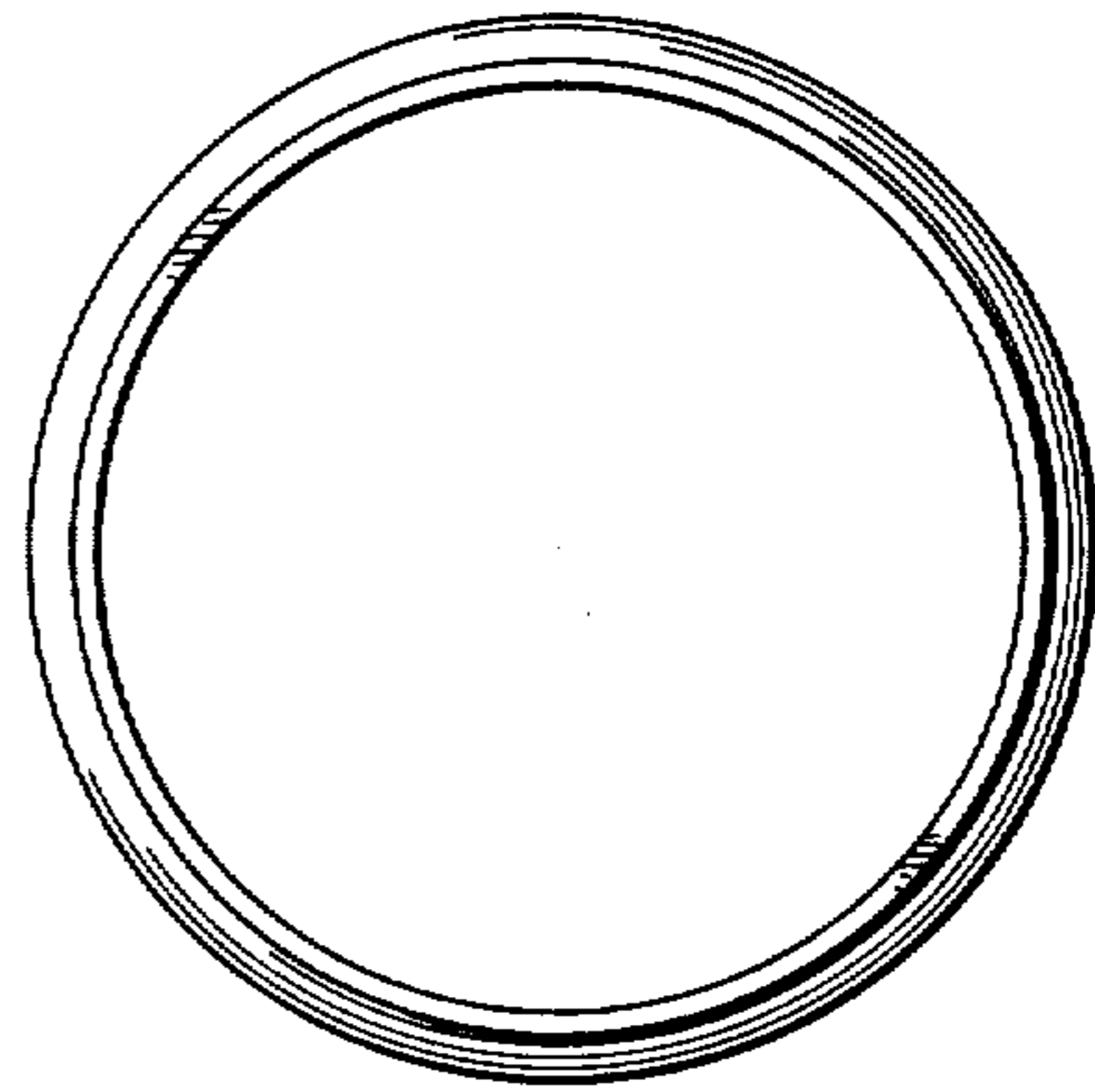


FIG. 4

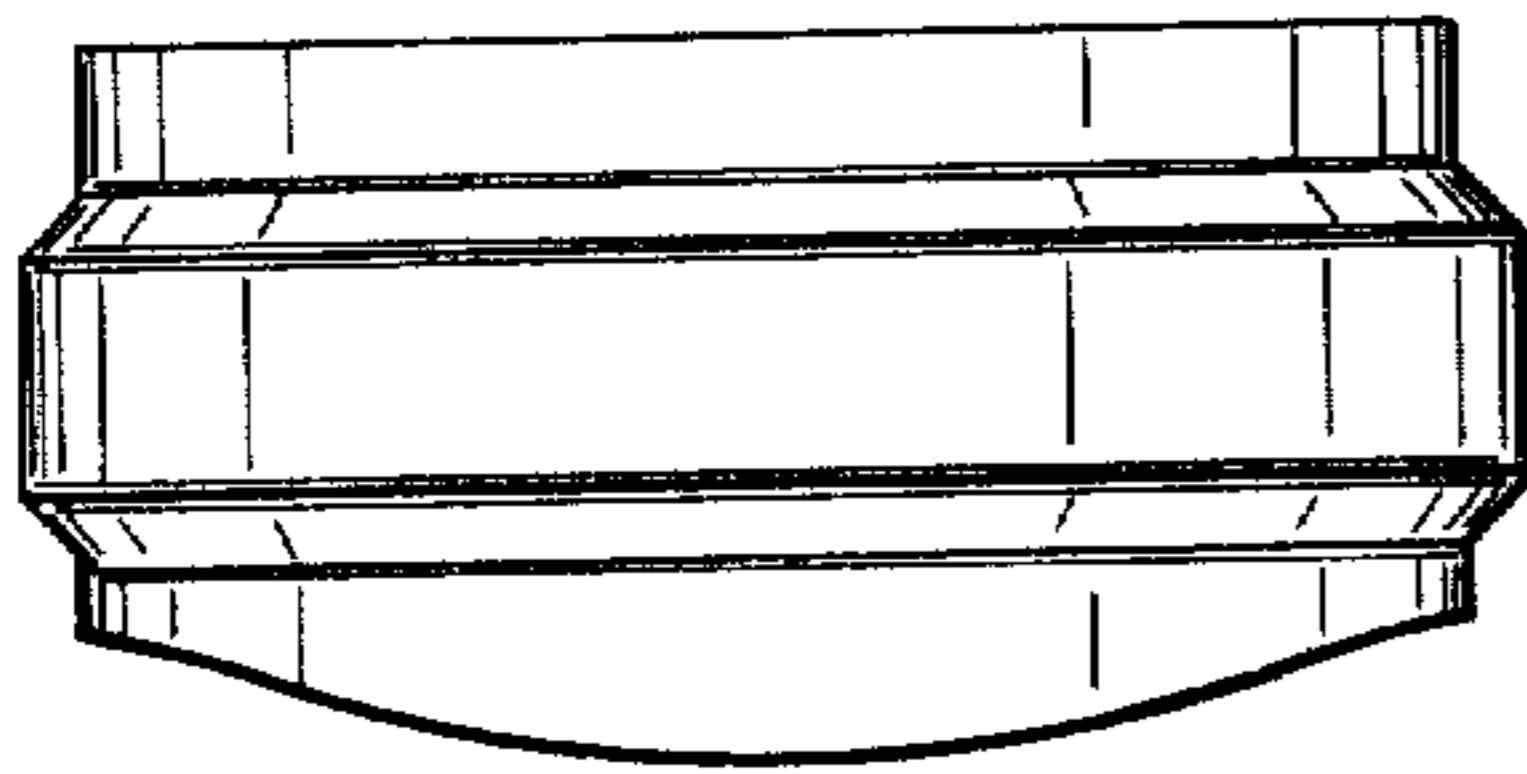


FIG. 3

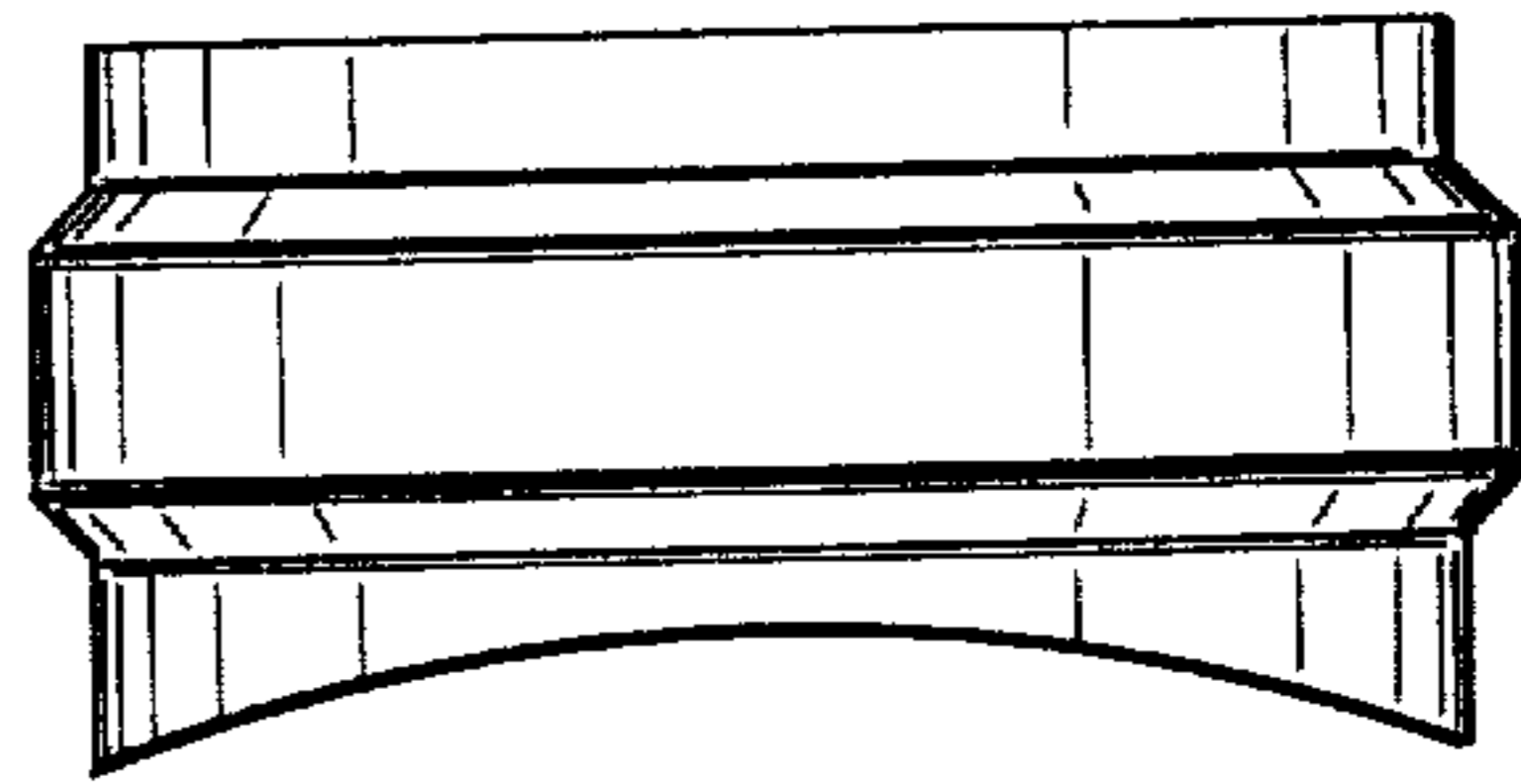
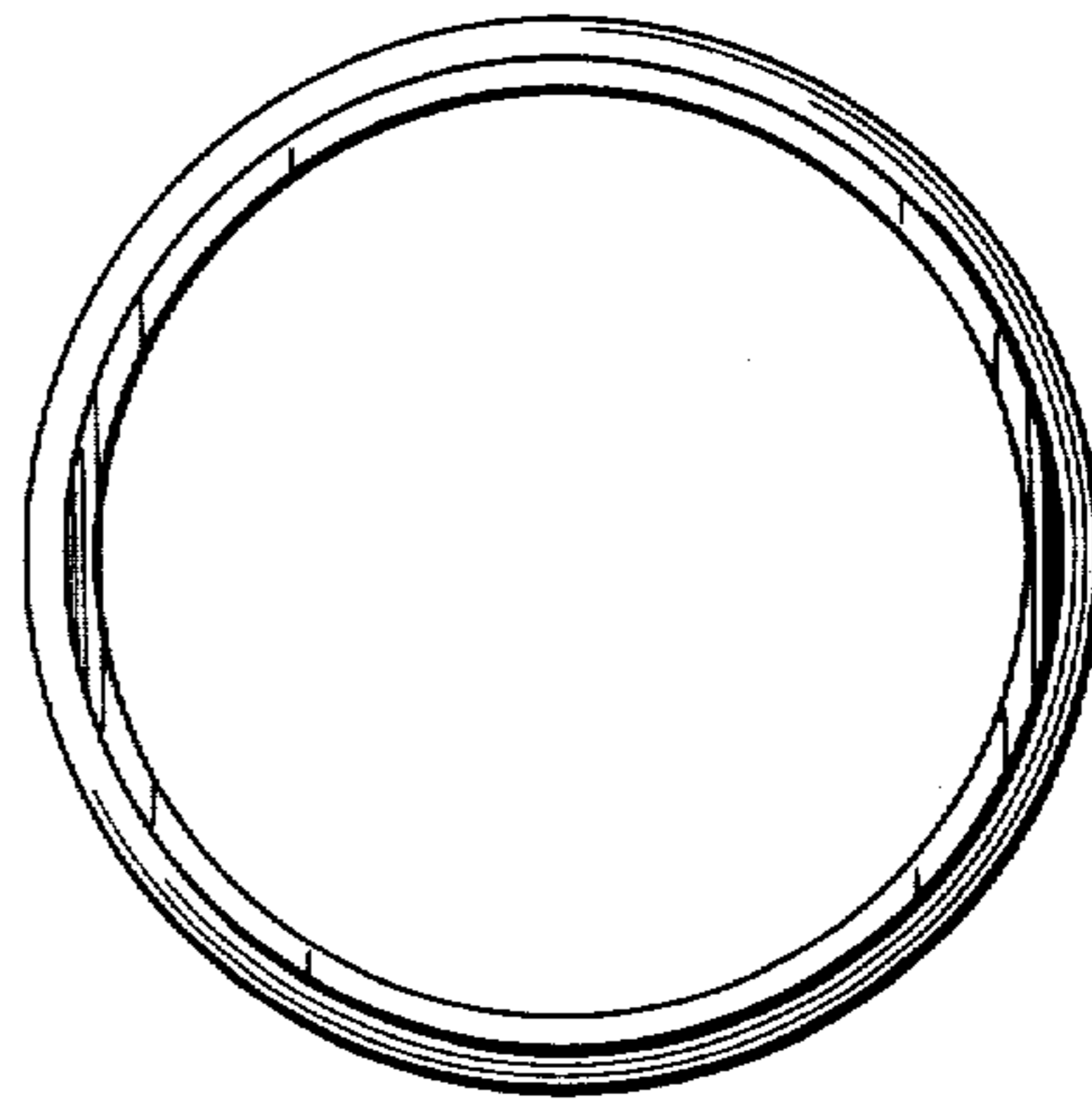


FIG. 2

FIG. 5



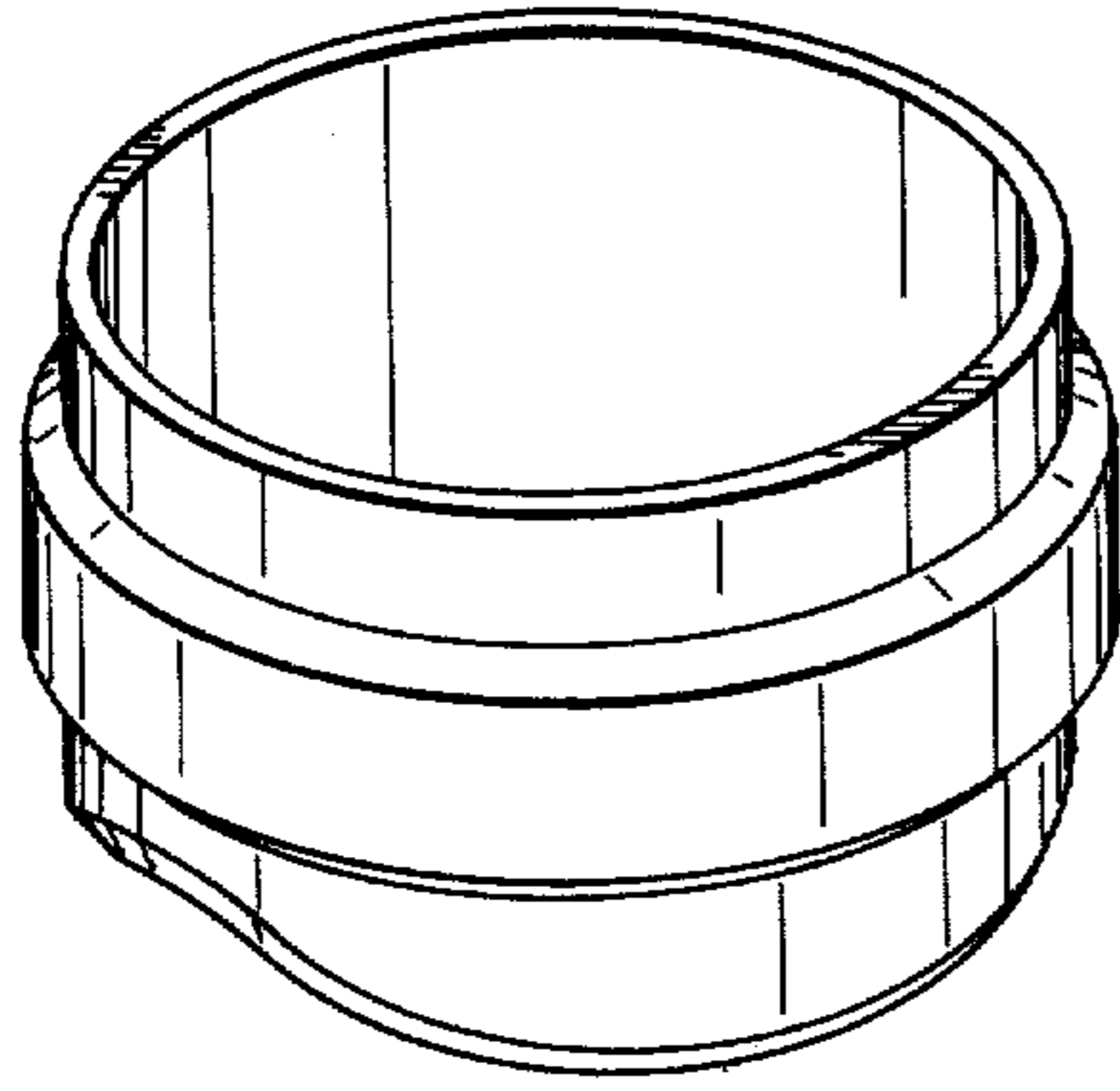


FIG. 6

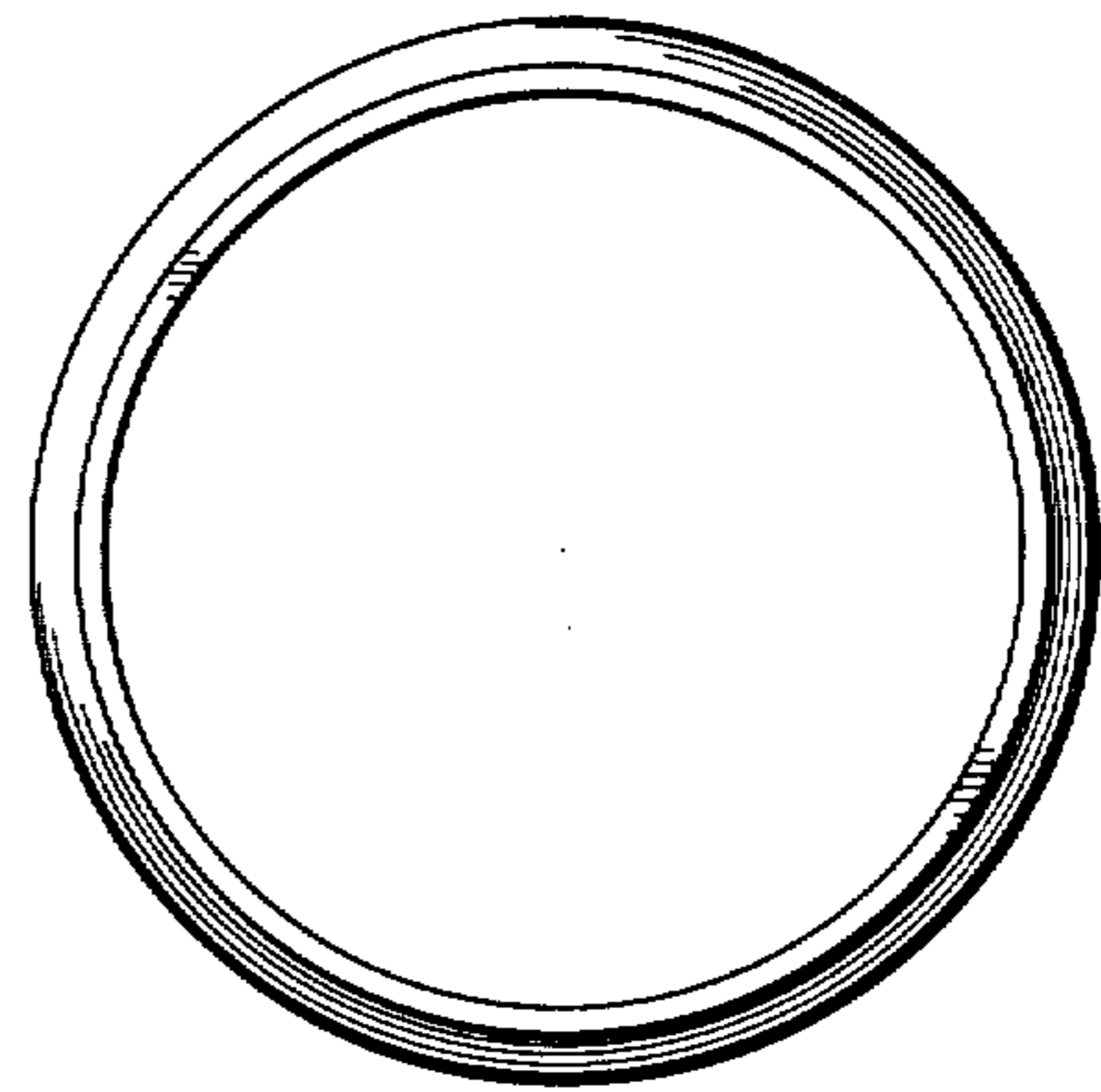


FIG. 9

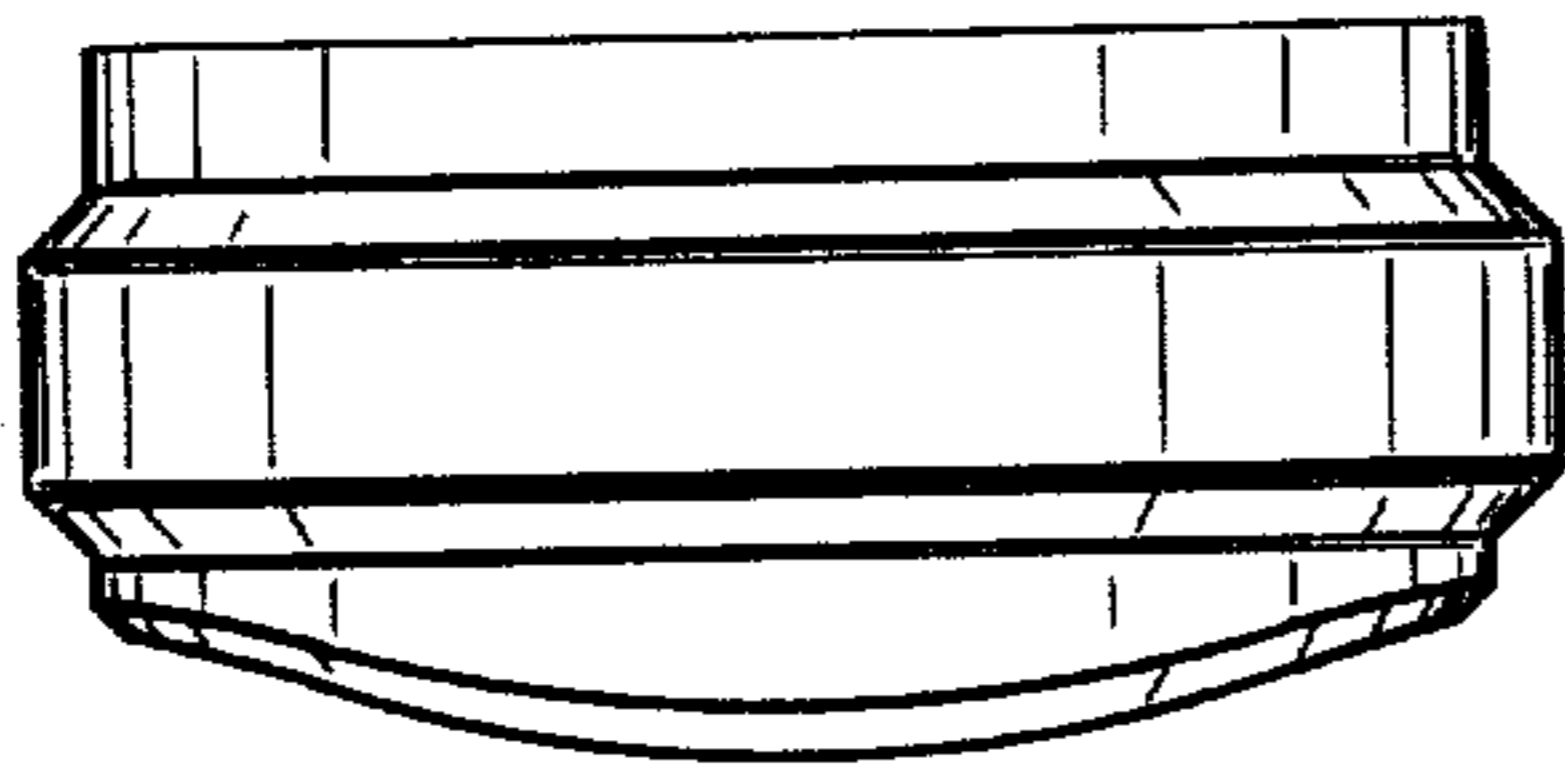


FIG. 8

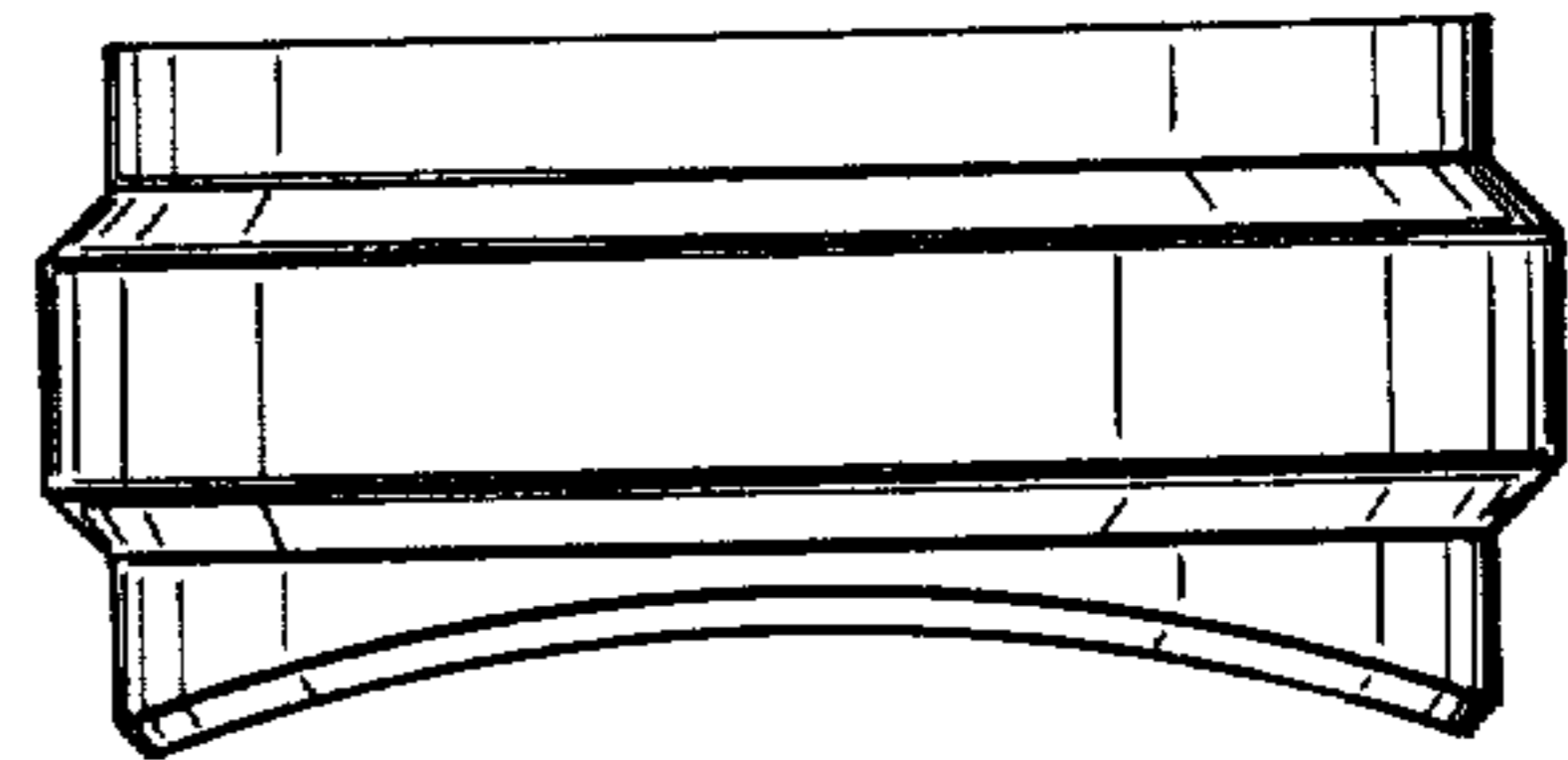


FIG. 7

FIG. 10

