

[54] COMBINED TOY BOAT AND FIGURES THEREFOR

[75] Inventors: James R. Becker, New York, N.Y.; Fred D. Eddins, Mapleville, R.I.; Maureen Patterson, Brighton, Mass.; David V. O'Connell, East Providence; Richard M. Rossi, Greenville, both of R.I.

[73] Assignee: Hasbro Industries, Inc., Pawtucket, R.I.

[**] Term: 14 Years

[21] Appl. No.: 231,580

[22] Filed: Feb. 2, 1981

[51] Int. Cl. D21-01

[52] U.S. Cl. D21/130; D21/157

[58] Field of Search D21/130, 139, 157; 46/93, 96, 91; D12/300, 303

[56] References Cited

U.S. PATENT DOCUMENTS

D. 124,322	12/1940	Meyer	D21/130
D. 232,373	8/1974	Luzius et al.	D21/130
D. 247,384	2/1978	Nakao	D21/130

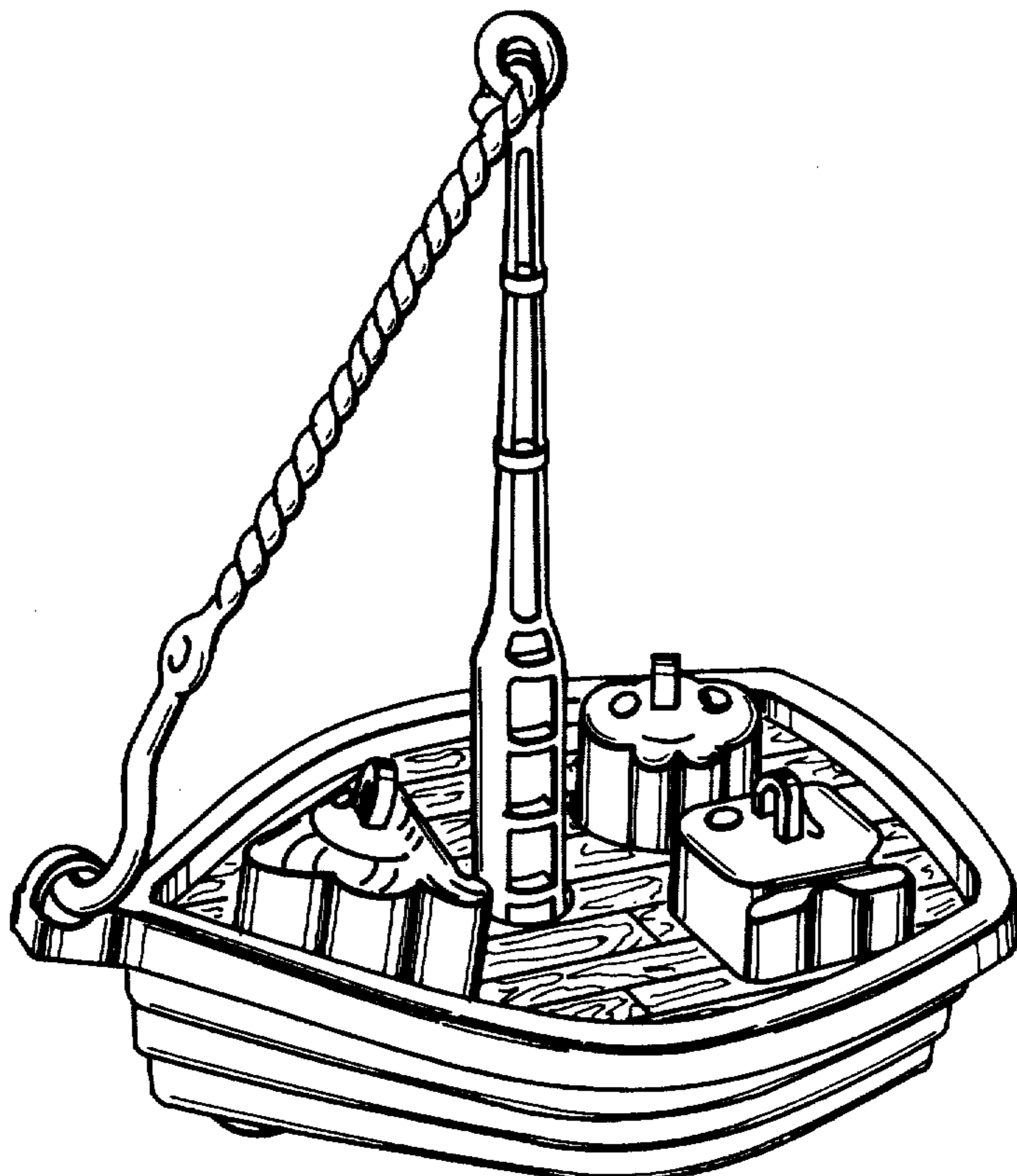
Primary Examiner—Charles A. Rademaker
Attorney, Agent, or Firm—Salter & Michaelson

[57] CLAIM

The ornamental design for a combined toy boat and figures therefor, substantially as shown.

DESCRIPTION

FIG. 1 is a left side perspective view of a combined toy boat and figures therefor showing our new design; FIG. 2 is a front elevational view thereof; FIG. 3 is a right side elevational view thereof; FIG. 4 is a rear elevational view thereof; FIG. 5 is a top plan view thereof; and FIG. 6 is a bottom plan view thereof.



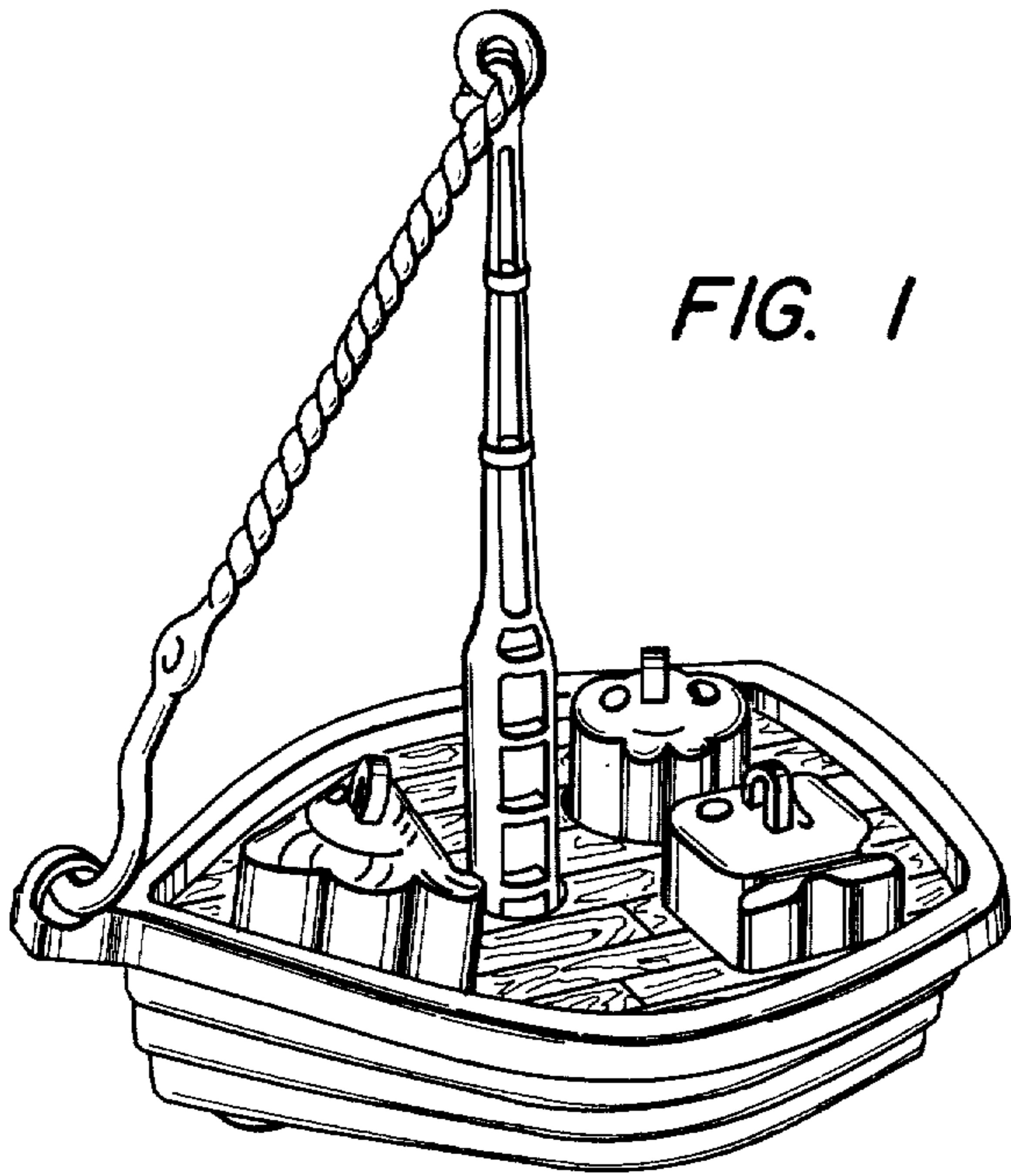


FIG. 1

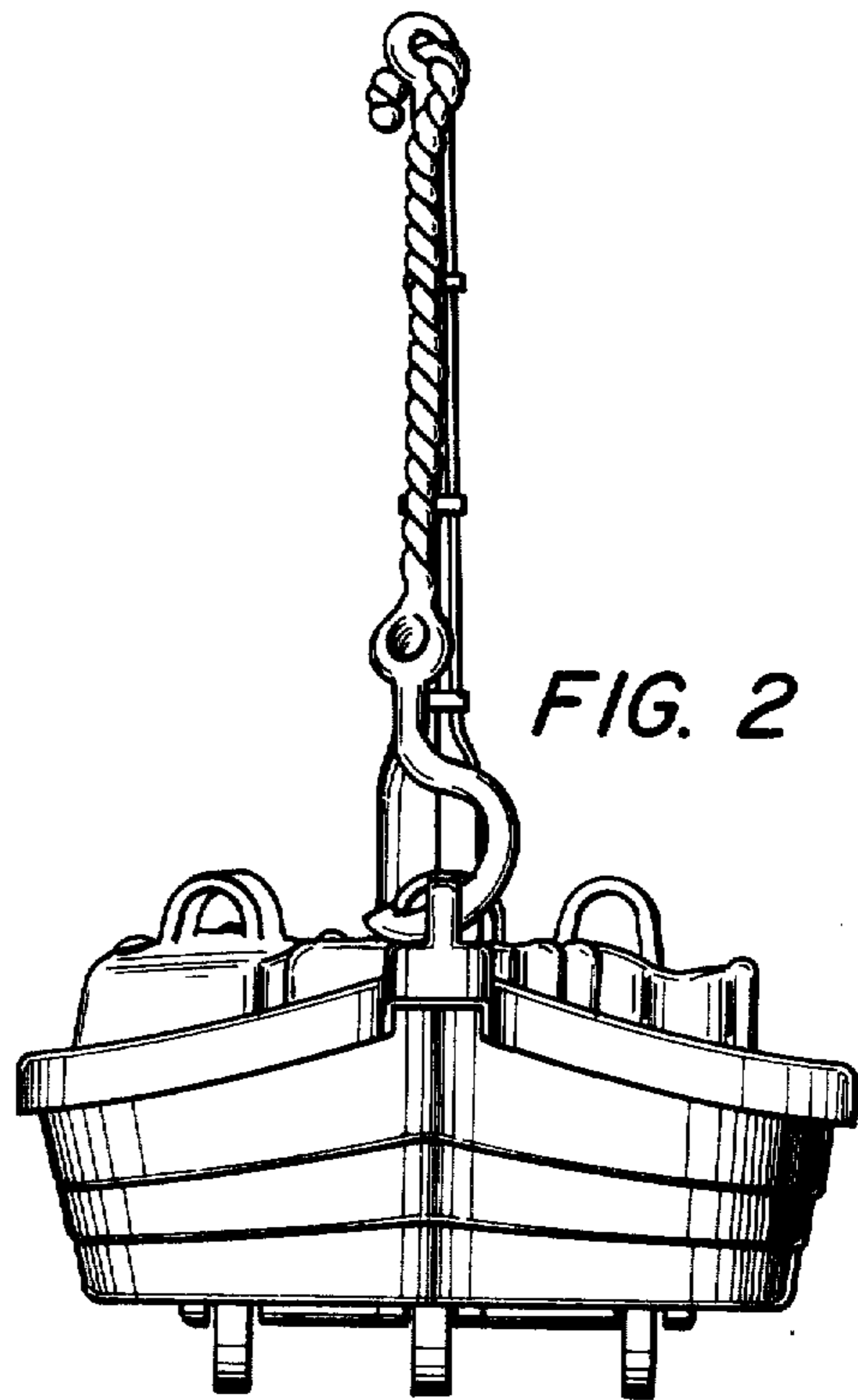


FIG. 2

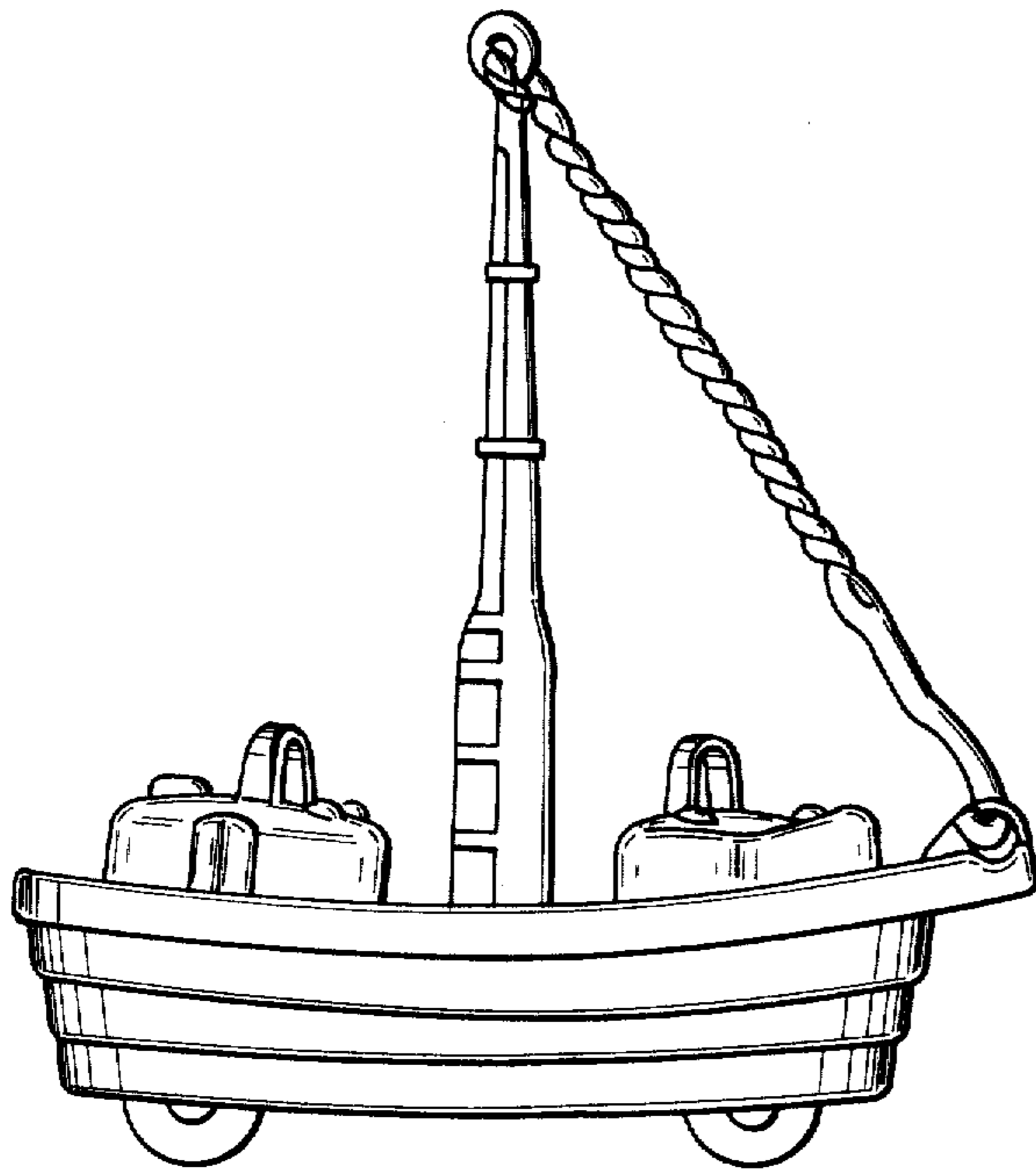


FIG. 3

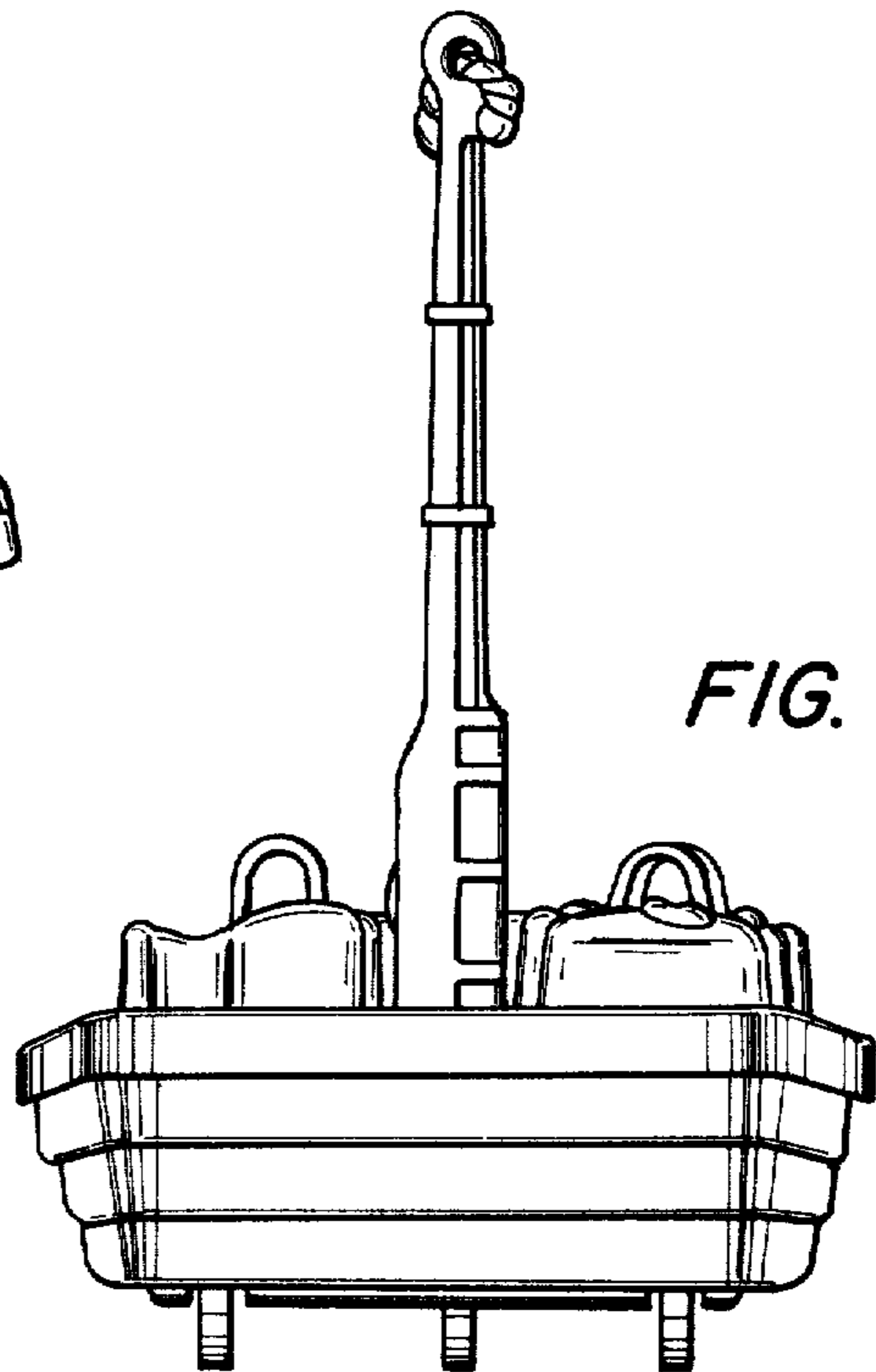


FIG. 4

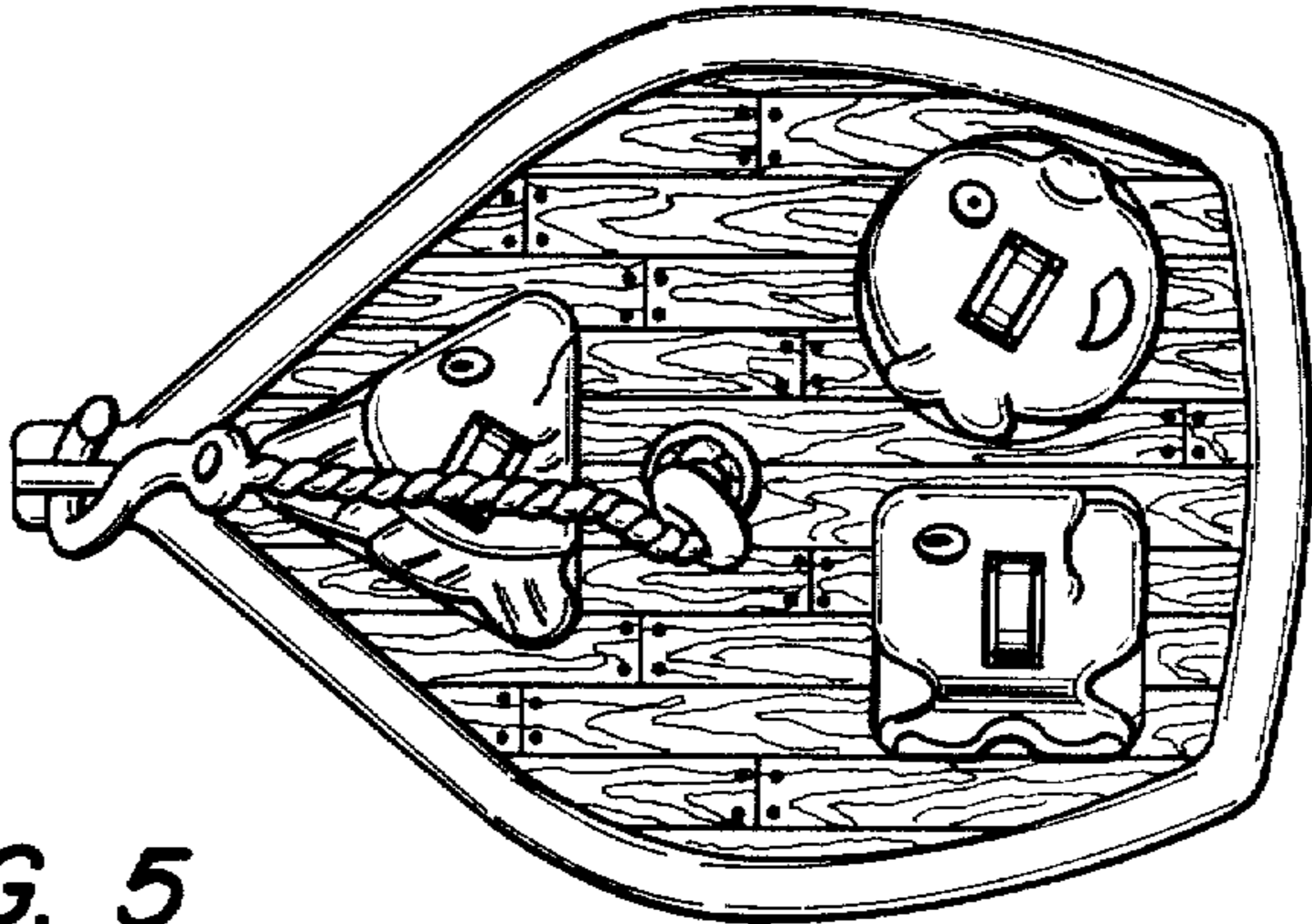


FIG. 5

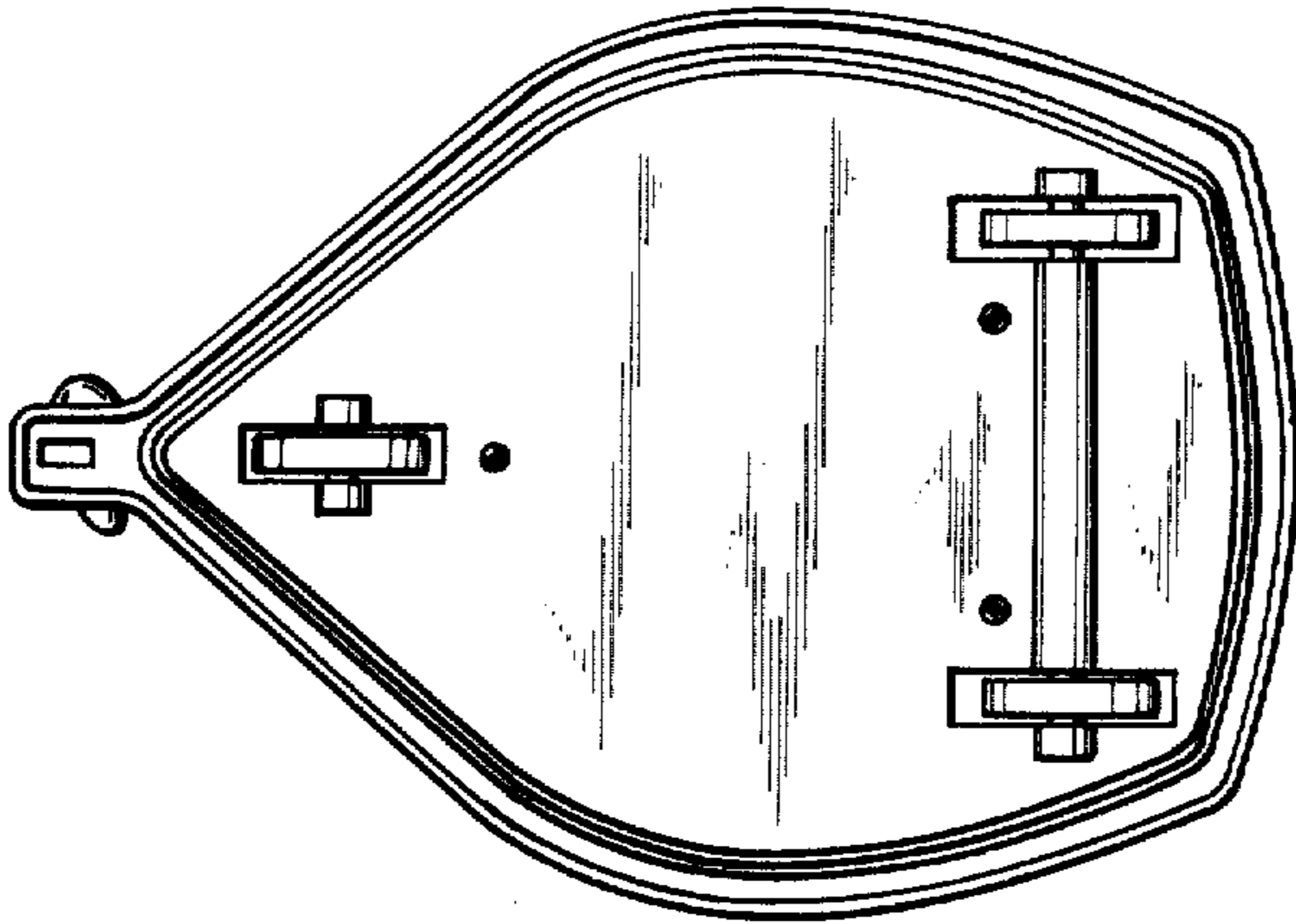


FIG. 6